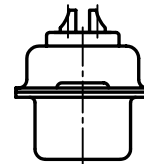
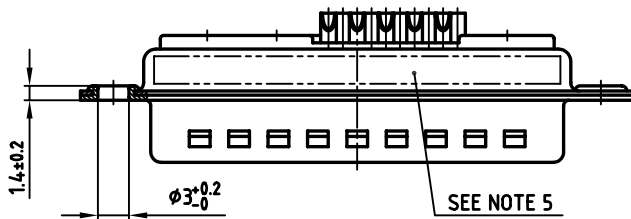
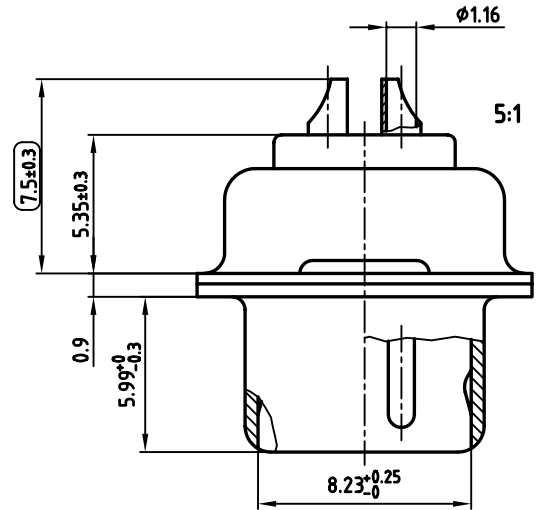
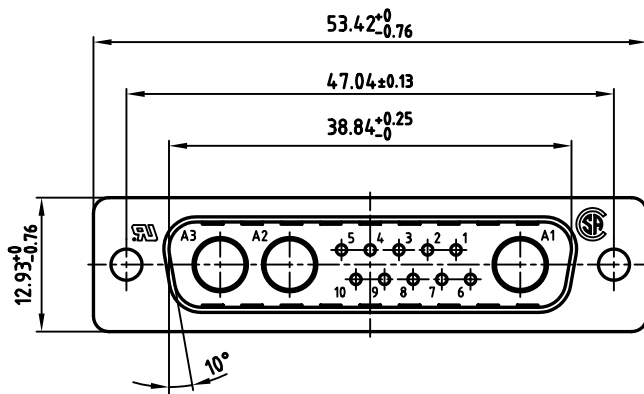


used for: D-SUB COMBINATION



**NOTES:**

1. METAL SHELLS: STEEL; min. 320µ" TIN
2. INSULATORS: PBT GF UL 94 V-0, GREEN
3. SIGNAL CONTACTS: COPPER ALLOY  
PLATING: 30µ" HARD GOLD OVER min. 50µ" NICKEL  
SOLDER CUP ACCEPTS CABLE AWG 20
4. NO CONTACTS ON POS. A1 - A3
5. CONNECTOR IS PART MARKED: 3013W3PCM99A10X CONEC ABC
6.    = CHECK DIMENSION

Directive 2002/95/EC  
 „RoHS“  
 Compliant

APPROVAL # FREIGABE # DEBLOCAGE # AUTORIZACION # APPROVAL	
CUSTOMER APPROVAL DATE:	
NAME:	TITLE:
COMPANY NAME:	
APPROVAL # FREIGABE # DEBLOCAGE # AUTORIZACION # APPROVAL	

THIS DRAWING MAY NOT BE COPIED OR REPRODUCED IN ANY WAY, AND MAY NOT BE PASSED ON TO A THIRD PARTY, WITHOUT WRITTEN PERMISSION.  
 OWNERSHIP AND COPYRIGHT OF CONEC GmbH  
**DO NOT ALTER CAD DRAWING BY HAND**

rev.	description	date	name

tolerance		dim. in mm
2005	date	
drawn	28.11.	name
appd.	28.11.	Mickenbecker
norm		
d-old		
<b>CONEC</b> ®		

scale:	2:1 (5:1)	
material:	SEE NOTES	
title:	<b>D-SUB COMBINATION MALE</b>	
	13W3P SOLDER CUP	
dwg no:	AutoCAD 2004	DIN-A
	<b>13K3A1351</b>	3
		sh: 1/1
part no:	<b>3013W3PCM99A10X</b>	