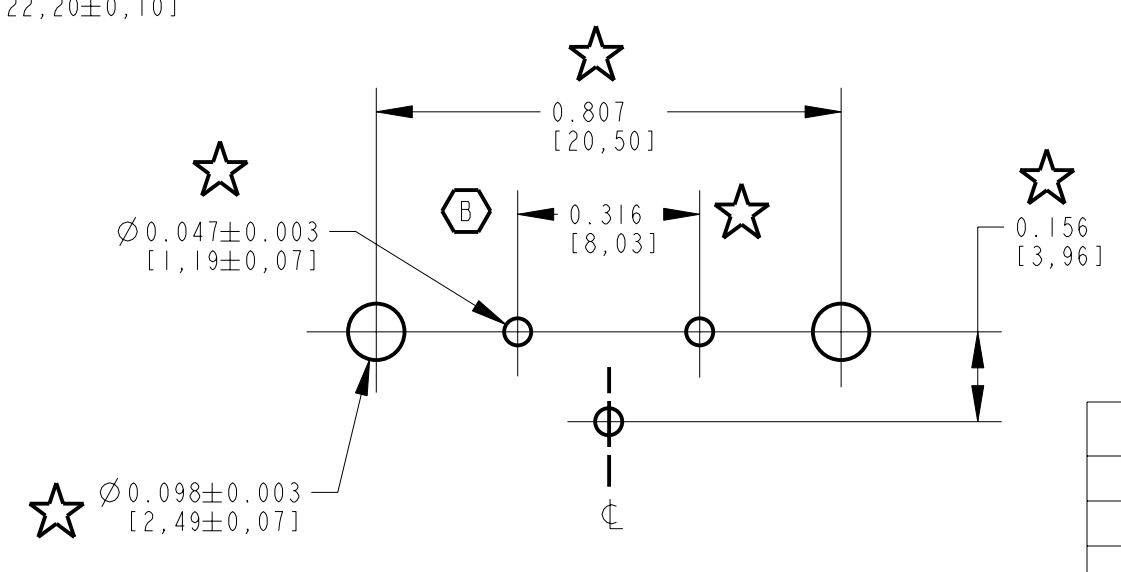
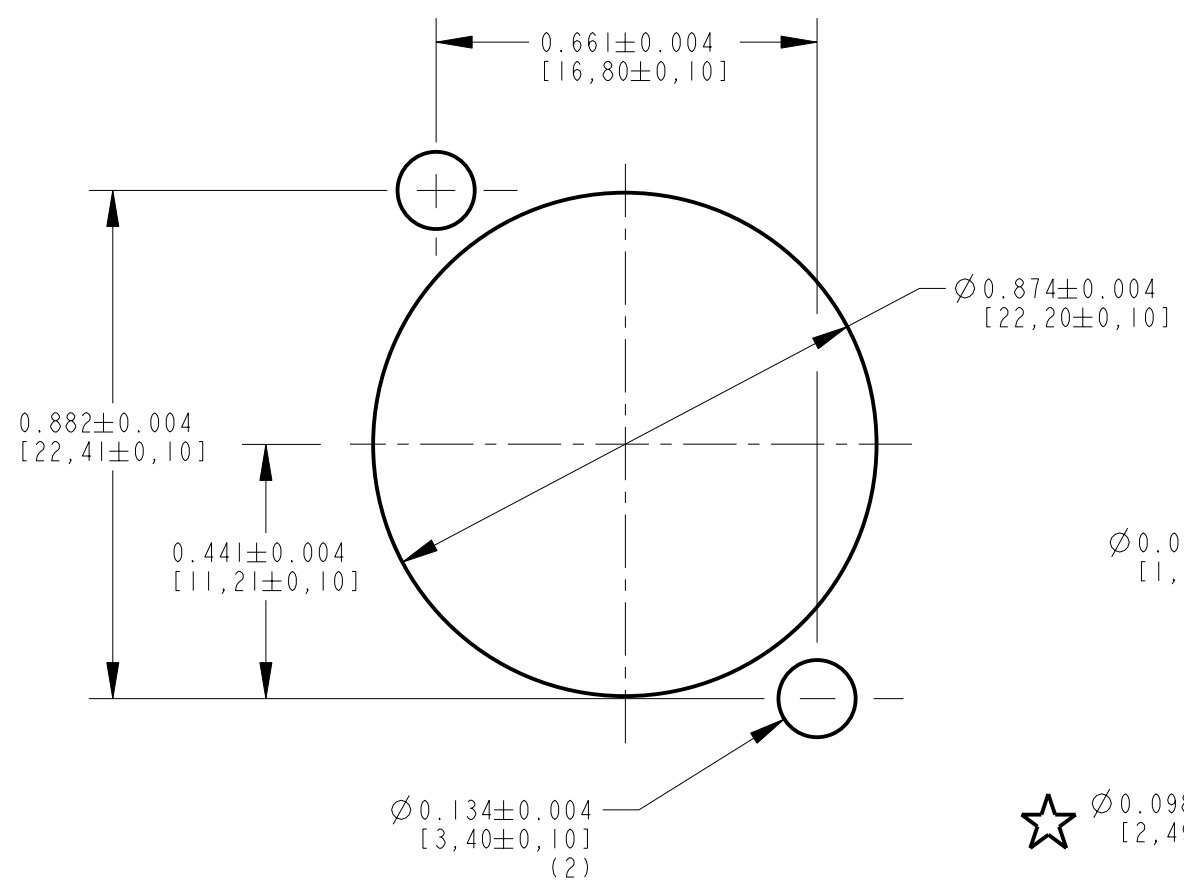


MATERIALS:
 HOUSING - ZINC ALLOY, NICKEL PLATED
 CONTACTS - COPPER ALLOY, SILVER PLATED
 INSULATOR - THERMOPLASTIC UL 94V-0 RATED
 GROUND SPRING - HEAT TREATED STEEL OR COPPER ALLOY, TIN PLATED
 RELEASE LEVER - C.R.S., NICKEL PLATED
 LATCH SPRING - HEAT TREATED STEEL, NICKEL PLATED
 FERRITE - NICKEL ZINC, K-100
 RATED CURRENT - 3 AMP.
 SERVICE VOLTAGE - 133 VAC



RECOMMENDED MOUNTING
 PANEL LAYOUT

RECOMMENDED P.C. BOARD LAYOUT
 (0.062 [1.57] THICK P.C. BOARD REF)

CUSTOMER DRAWING

☆ STAR SYMBOL DENOTES CRITICAL DIMENSION UNLESS OTHERWISE SPECIFIED 1. ALL DIMENSIONS IN INCHES - TWO PLACE DECIMALS ±0.01 - THREE PLACE DECIMALS ±0.005 - ANGLES ±1° - ALL DIA. CONCENTRIC WITHIN 0.005 T.I.R. 2. FEATURES ON THE SAME CENTERLINE MUST BE ALIGNED WITHIN ±0.002 3. REMOVE ALL BURRS DO NOT SCALE DRAWING					THIS DRAWING DESCRIBES A DESIGN CONSIDERED PROPRIETARY IN NATURE, DEVELOPED AND MANUFACTURED BY SWITCHCRAFT INC. AND IS RELEASED ON A CONFIDENTIAL BASIS FOR IDENTIFICATION PURPOSES ONLY.				
					SIZE	WIDTH	MULT	LBS/M	TEMPER
FINISH SPEC No.			MATERIAL SPEC No.						
FIRST USED ON			SCALE 3:1						
DATE DRAWN	BY	CHKD	APVD	Switchcraft®					
21-Jan-02	KJB	TJK	KJB	SHEET 1 OF 1					
NAME			PART No.		REV				
FEMALE 3 PIN QG ST/PC W/FERRITE			F3FSTF		B				
REVISIONS B 24518 7-7-03 KJB KJB A ECO# 22650 1-21-02 TJK KJB									