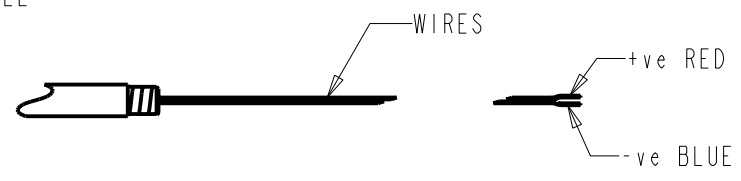
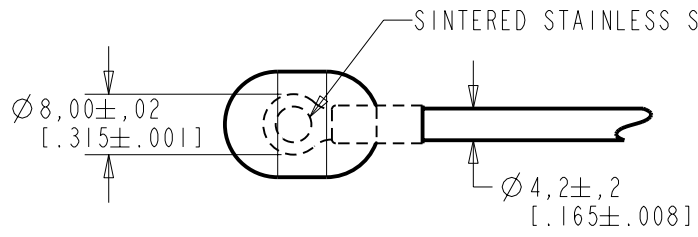
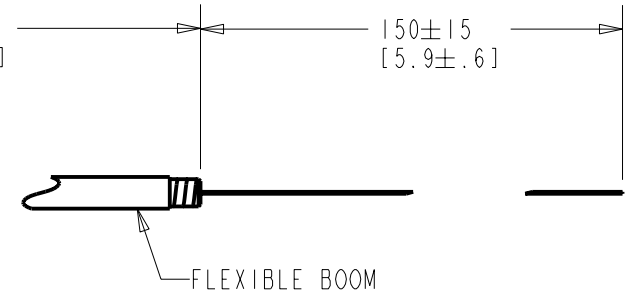
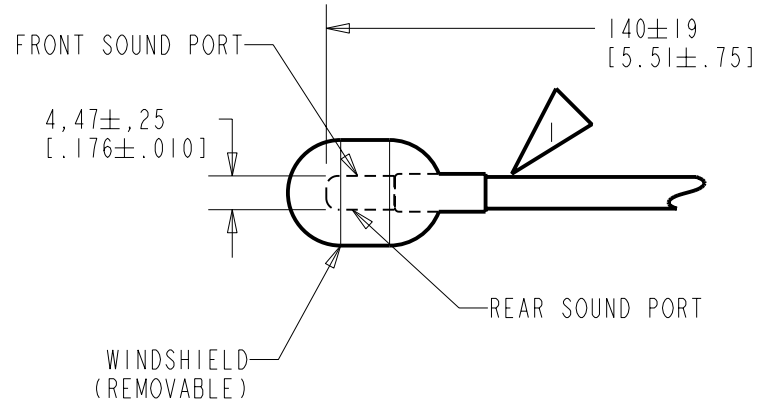


PNR-23249-000  
SHT 1.1

THE FRONT SOUND PORT IS ADJACENT TO THE MODEL NUMBER IDENTIFICATION.



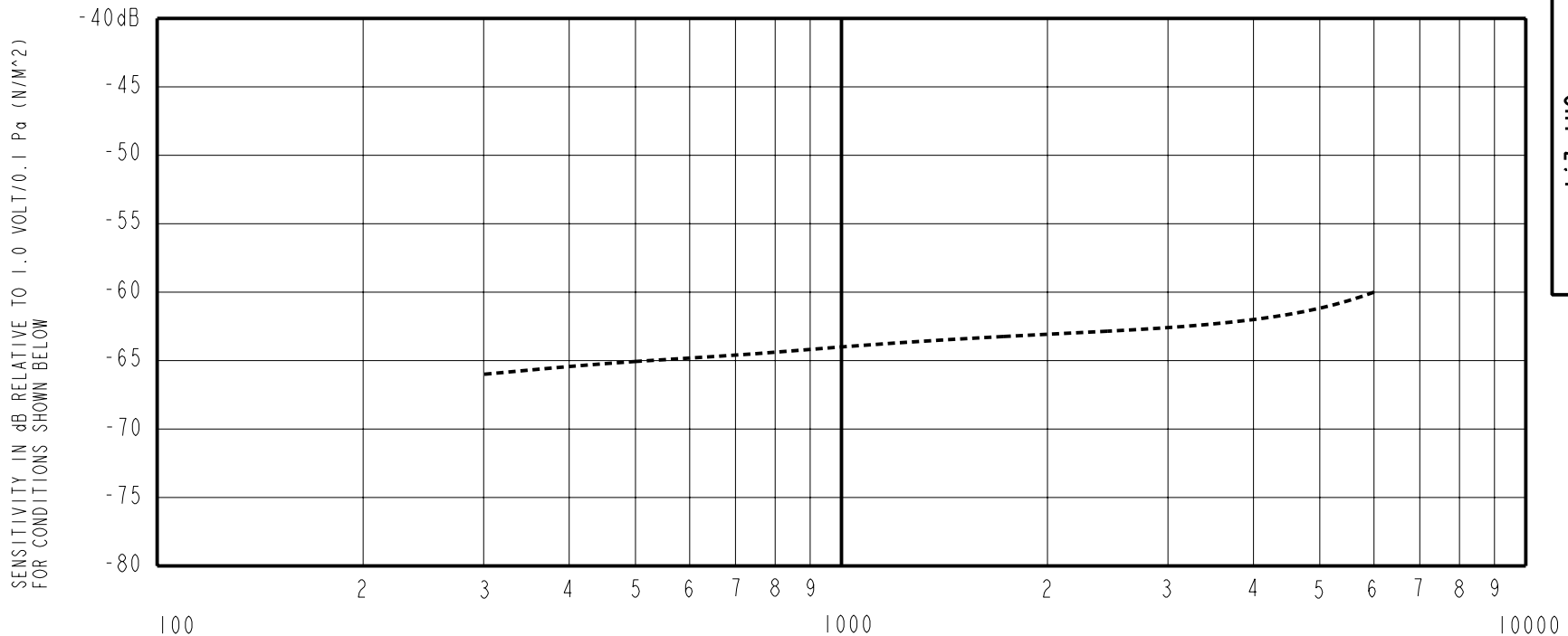
WIRE COLOR		WEIGHT GRAMS
+ve	-ve	
RED	BLUE	13.1

DIMENSIONS IN MILLIMETERS [INCHES]

**KNOWLES ELECTRONICS**  
ITASCA, ILLINOIS U.S.A.

Revision	C.O. #	Implementation Date	RELEASE LEVEL	REVISION
B	MI0101089	5-5-06	Released	B
A	MI0100632	06/07/05		

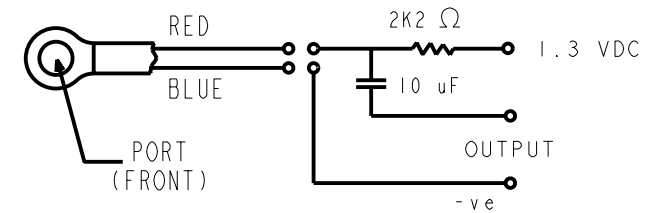
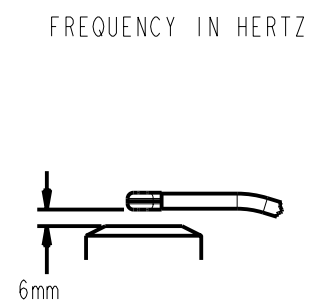
SCALE: 1:1		DR. BY: DMS	DATE: 06/07/05
DO NOT SCALE DRAWING			
TITLE: BOOM MICROPHONE		PNR-23249-000	
OUTLINE DRAWING		SHT 1.1	
		APP. BY: GJP	DATE: 06/09/05
		GJP	06/09/05



NOTES:

- MICROPHONE TO BE FUNCTIONAL WITH 10 VDC SUPPLY.
- SENSITIVITY VALUES INDICATED ON THIS SPECIFICATION ARE VALID AT 50% HUMIDITY.
- SENSITIVITY

FREQUENCY	MIN	NOM	MAX
300	-70.0	-66.0	-62.0
1000	-67.0	-64.0	-61.0
4000	-65.0	-62.0	-59.0
- TEST CONDITIONS:  
HEAD OF BOOM EXPOSED TO 94 dB SPL SWEPT SOUND FIELD AT 6mm FROM VOICE APERTURE.  
ARTIFICIAL VOICE:  
B & K 4227 MOUTH SIMULATOR.
- FOR MICROPHONE CAPSULE SPEC. SEE NR-23160-000 SHEET 2.1



LEAD IDENTIFICATION & TEST CIRCUIT

Revision	C.O. #	Implementation Date	RELEASE LEVEL	REVISION
B	MI0101089	5-5-06	Released	B
A	MI0100632	06/07/05		

**KNOWLES ELECTRONICS**  
ITASCA, ILLINOIS U.S.A.

SCALE:	1:1	DR. BY	DATE
DO NOT SCALE DRAWING		DMS	06/07/05
TITLE: <b>BOOM MICROPHONE</b>		CK. BY	DATE
OUTLINE DRAWING		GJP	06/09/05
PNR-23249-000		APP. BY	DATE
SHT 2.1		GJP	06/09/05