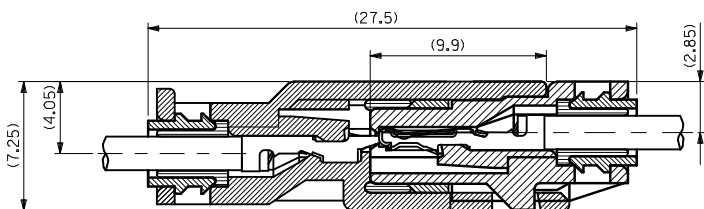
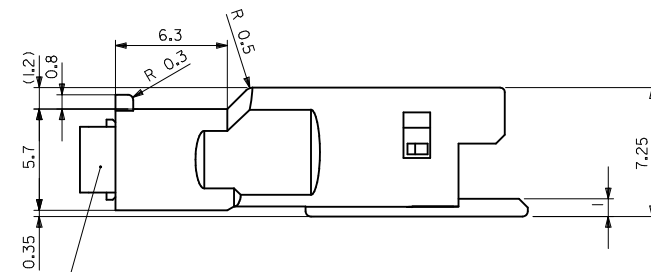
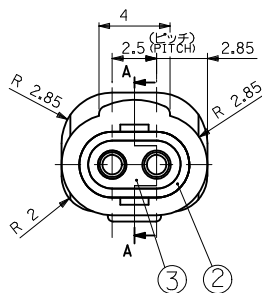
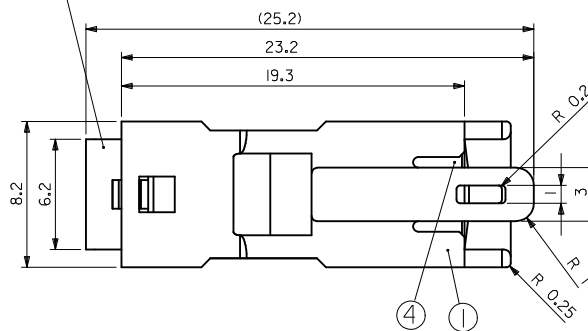


断面A-A(端子装着状態図)  
SECT. A-A (TERM. ASSEMBLY DRAWING)



嵌合状態図  
FULLY MATED CONDITION



注記  
NOTE

- 適合端子: 50147-8\*00  
APPLICABLE TERMINAL: 50147-8\*00
- 嵌合相手: 52213-021\*  
MATES WITH: 52213-021\*
- 製品仕様書: PS-52213-003  
PRODUCT SPECIFICATION: PS-52213-003
- 取扱説明書: AS-52213-001  
APPLICATION SPECIFICATION: AS-52213-001

黒 BLACK	52266-0211	2
ハウジングの色 HSG COLOR	製品番号 MATERIAL NO.	極数 No. OF CT.

材料 MATERIAL	色 COLOR	名称 TITLE	
シリコンム SILICONE	黄 YELLOW	SEAL	⑤
ポリエステル (15%G.F.) POLYESTER (15%G.F.)	黒 BLACK	SEAL STOPPER	④
シリコンム SILICONE	黄 YELLOW	WIRE END SEAL	③
ポリエステル (15%G.F.) POLYESTER (15%G.F.)	黒 BLACK	CAP	②
ポリエステル (15%G.F.) POLYESTER (15%G.F.)	表参照 SEE CHART	PLUG HOUSING	①

構成部品  
COMPONENTS

REVISED & REDRAWN EC NO: JTR2012-0027 DRAWN: S. INAKA 2011/11/28 CHKD: SANDO 2011/11/28 APPR: MAYAMOTO 2011/12/02	GENERAL TOLERANCES (UNLESS SPECIFIED)		DIMENSION STYLE MM ONLY	SCALE 5:1	DESIGN UNITS METRIC	THIRD ANGLE PROJECTION
	10 UNDER	±0.3	DRAWN BY Y. ASHIZAWA	DATE 1990/04/29	TITLE 2.5 MINI WATERPROOF CONN PLUG HSG ASSY (2 CKT.)	
	10 OVER 30 UNDER	±0.25	CHECKED BY M. SAKANO	DATE 1994/03/02	MOLEX INCORPORATED	
	30 OVER	±0.2	APPROVED BY MAYAMOTO	DATE 2011/12/02	DOCUMENT NO. SD-52266-003	SHEET NO. 1 OF 1
	ANGULAR	±3 °	MATERIAL NO.			
	DRAFT WHERE APPLICABLE MUST REMAIN WITHIN DIMENSIONS		SEE CHART			
	THIS DRAWING CONTAINS INFORMATION THAT IS PROPRIETARY TO MOLEX INCORPORATED AND SHOULD NOT BE USED WITHOUT WRITTEN PERMISSION					