

T1/E1 Protection GR-1089-CORE Inter-building

Solution Products



TBU-DT085-200-WH



TISP4015L1BJR-S



2020-42T-C2FLF



B1250T

Design Kit



PN-DESIGNKIT-40

Objective

T1/E1 ports are data communication ports used to communicate over long cable distances. This solution provides protection against surge and power contact threats.

Solution

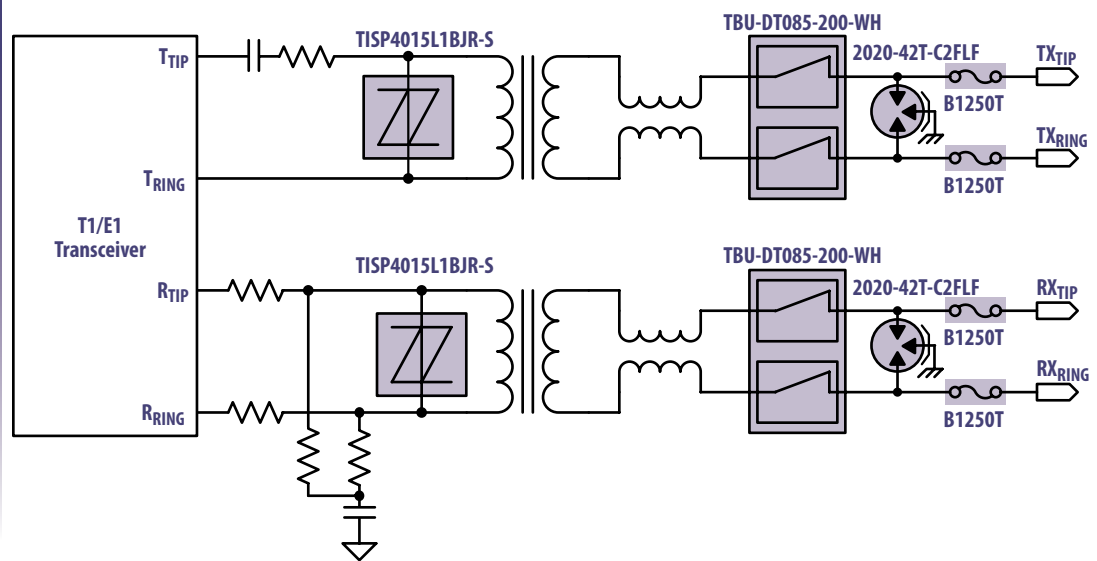
- 2 TBU® High-Speed Protectors:
TBU-DT085-200-WH
- 2 Thyristor Surge Protectors:
TISP4015L1BJR-S
- 2 GDTs: 2020-42T-C2FLF
- 4 Fuses: B1250T

Compliance

GR-1089-CORE, Section 4, Port Types 1, 3, 5

Benefit

This solution provides protection without impairing the signal.



The schematic above illustrates the application protection and does not constitute the complete circuit design. Customers should verify actual device performance in their specific applications.