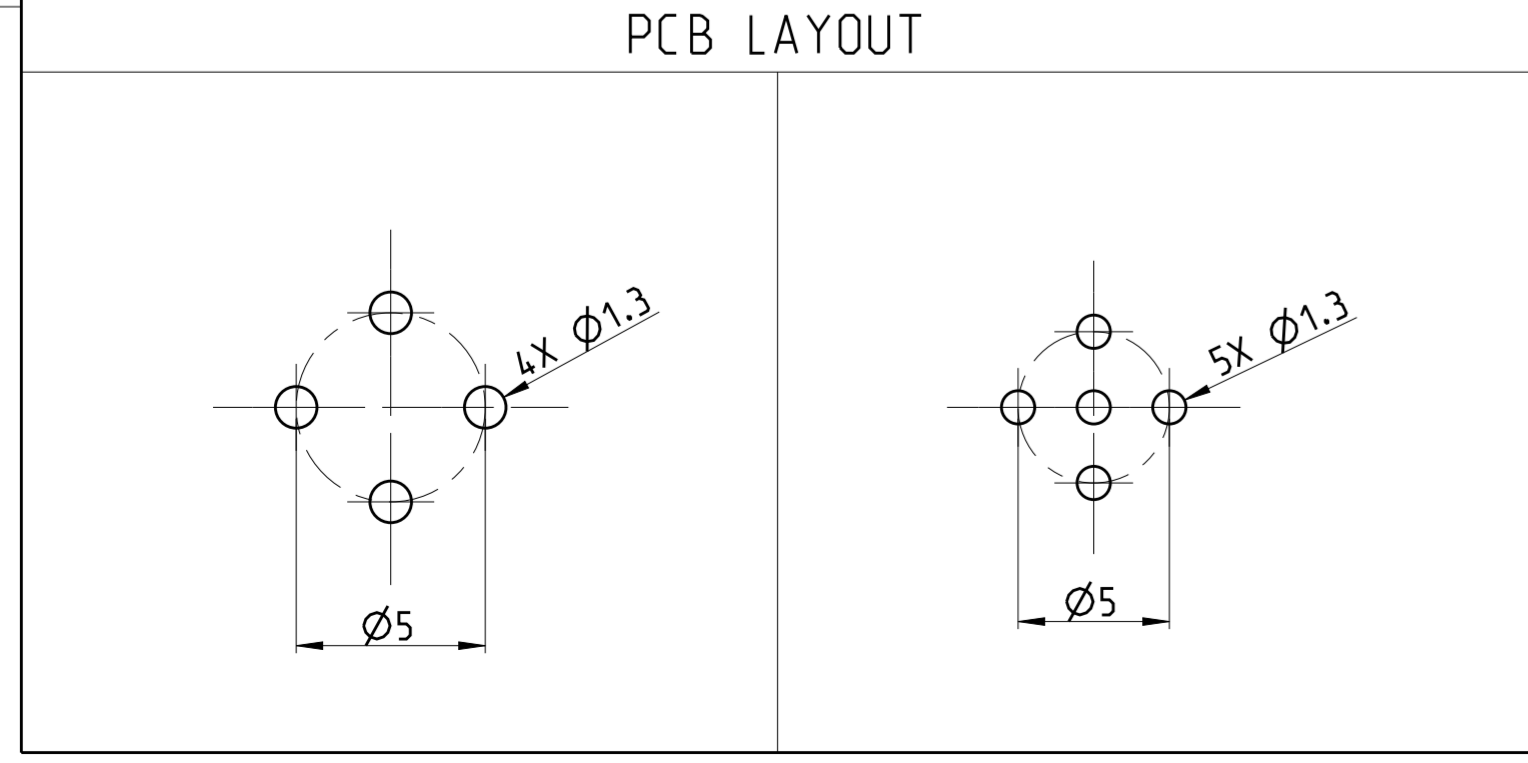
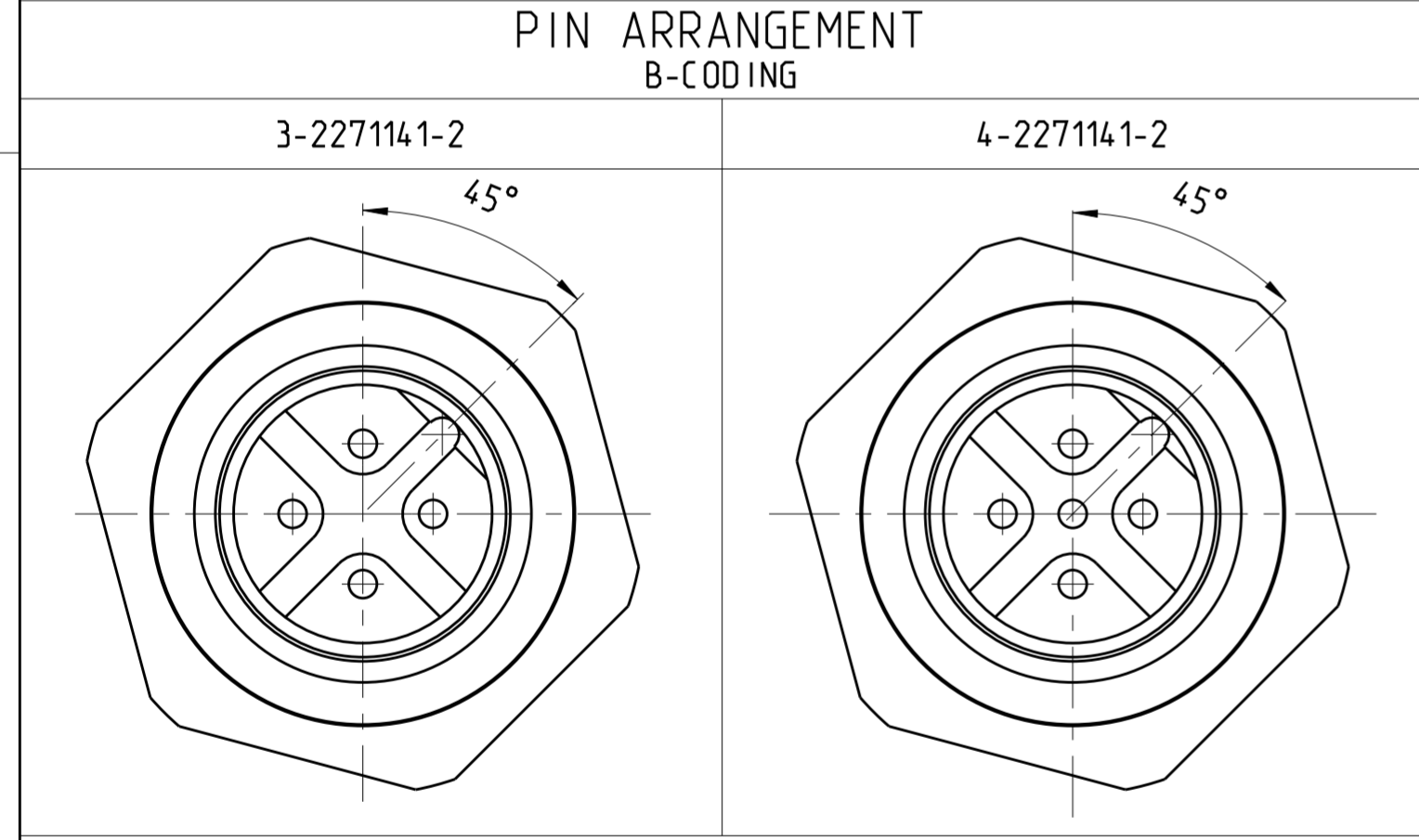
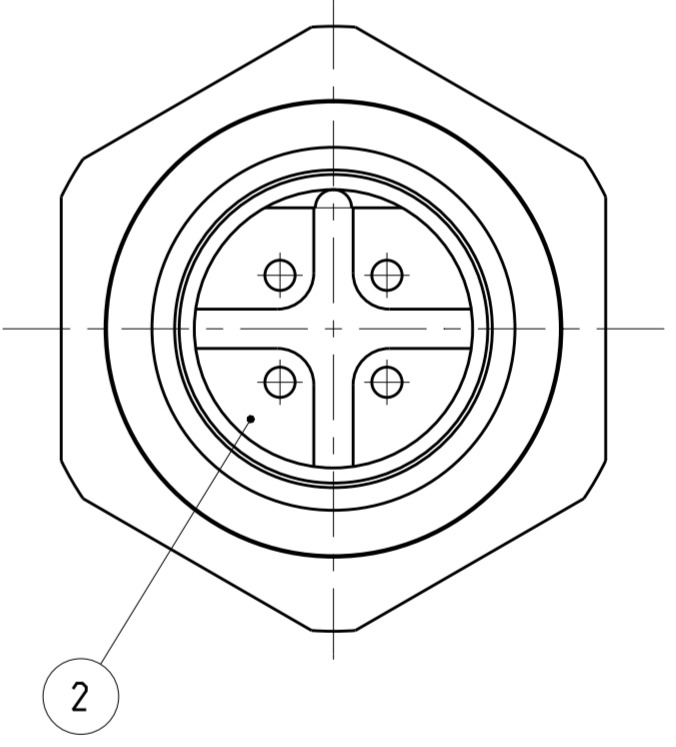
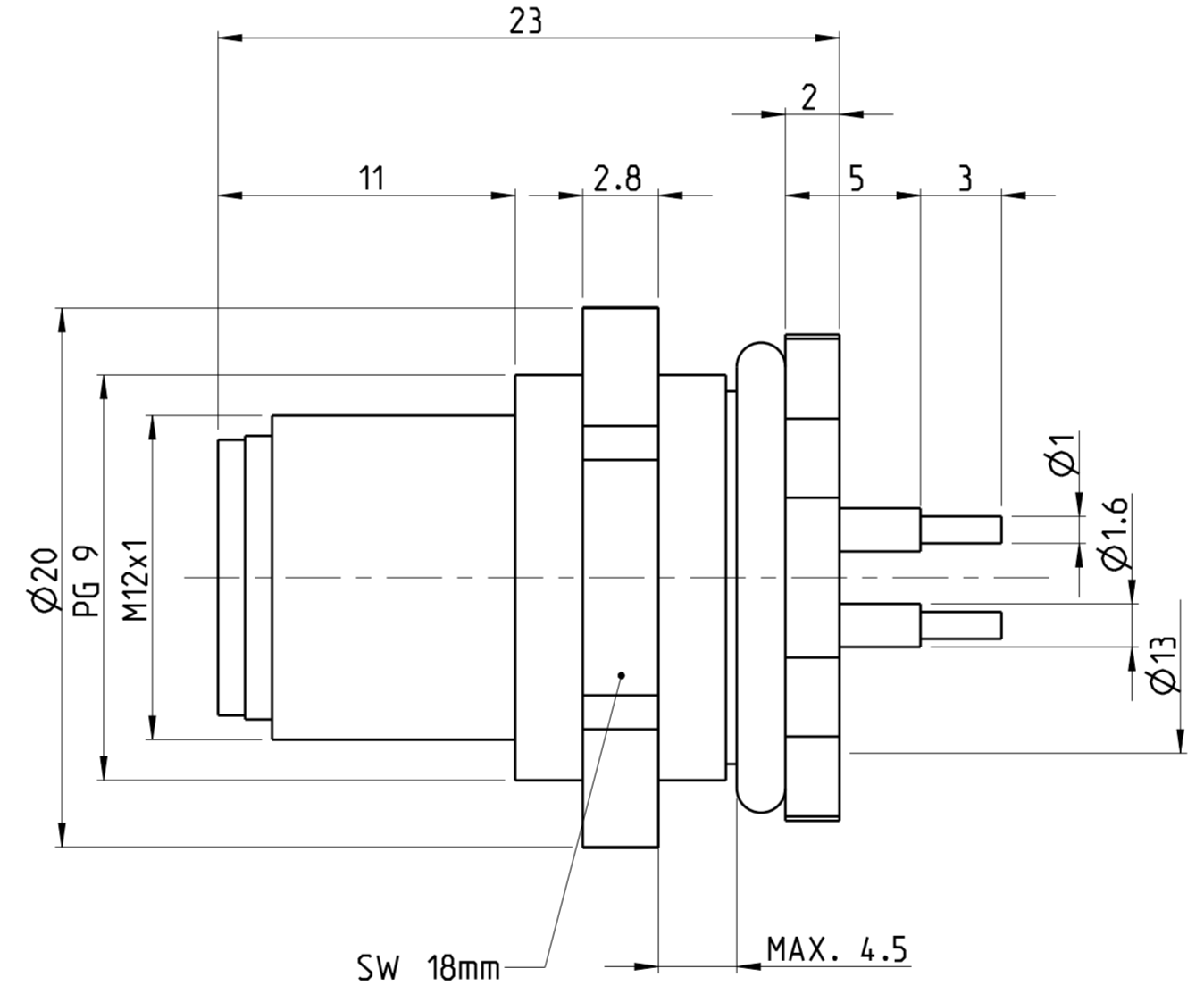
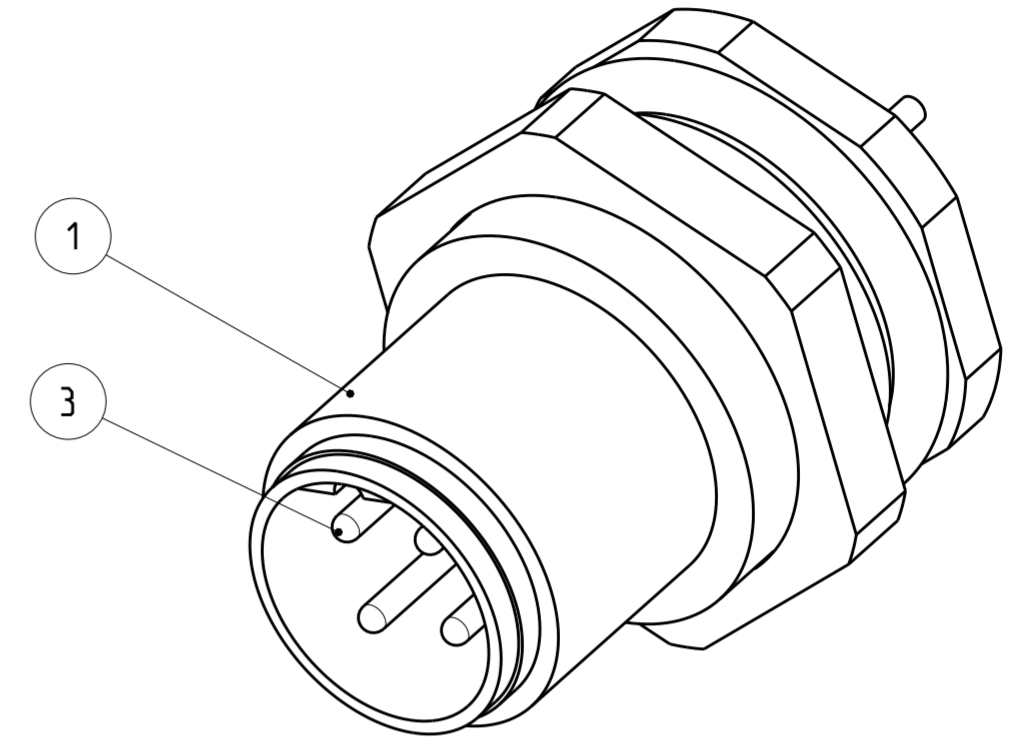


REVISIONS		DATE	DWN	APVD
ÄNDERUNGEN				
P	LTR	DESCRIPTION		
		BESCHREIBUNG		
	A2	ADDED PCB LAYOUT IN DRAWING	20AUG2014	YR MB

TECHNICAL DATA	3-227114-1-2	4-227114-1-2
	RATED VOLTAGE	250V
RATED IMPULSE VOLTAGE	2500V	1500V
POLLUTION DEGREE	3	3
OVERVOLTAGE CATEGORY	II	II
MATERIAL GROUP	II	II
RATED CURRENT	4A	4A
VOLUME RESISTIVITY	≤ 3mΩ	≤ 3mΩ
DEGREE OF PROTECTION	IP68	IP68
UPPER TEMPERATURE	+85 °C	+85 °C
LOWER TEMPERATURE	-40 °C	-40 °C

- 1 MATERIAL: ITEM NO. 1: HOUSING - BRASS, ZINC DIECASTING, NICKEL PLATED
 ITEM NO. 2: CONTACT BODY - PA
 ITEM NO. 3: CONTACT - CuZn (brass)
 CONTACT FINISH - Au (gold)
- 2 ALL DIMENSIONS ARE FOR NOMINAL REFERENCE ONLY UNLESS OTHERWISE STATED
- 3 PACKAGING: 20 PIECE IN A BAG



3-2 AS SHOWN WIE GEZEICHNET

⚠	5	4-227114-2
⚠	4	3-227114-2
MATERIAL	NUMBER OF POLES	TE-PART-NO.

DIESE ZEICHNUNG IST EIN KONTROLLIERTES DOKUMENT. BEMASSUNGEN UND TOLERANZEN GEMAESS GPS (ISO STANDARDS).

THIS DRAWING IS A CONTROLLED DOCUMENT. DIMENSIONING AND TOLERANCING PER GPS (ISO STANDARDS).

DIMENSIONS: MASSE/WEITEN: IT/IN	TOLERANCES UNLESS OTHERWISE SPECIFIED: ALLGEMEINTOLERANZEN	DWN YASHKUMAR 16MAY2014
		CHK M.STRELOW 16MAY2014
		APVD C.SCHREITLINGER 16MAY2014
		NAME M12 RECEPTACLE, MALE, PCB MOUNT, PANEL REAR, STRAIGHT, B-CODED
		PRODUCT SPEC 108-19483
		APPLICATION SPEC 114-32127
MATERIAL SEE NOTES	FINISH/OBERFLÄCHE/FARBE SEE NOTES	WEIGHT GEWICHT -
		Customer Drawing

STE TE Connectivity

SIZE A2 CAGE CODE 00779 DRAWING NO. C-2271141

SCALE MASSSTAB 4:1 SHEET BLATT 1 OF 1 REV A2

SIZE ISO 14405 (E)