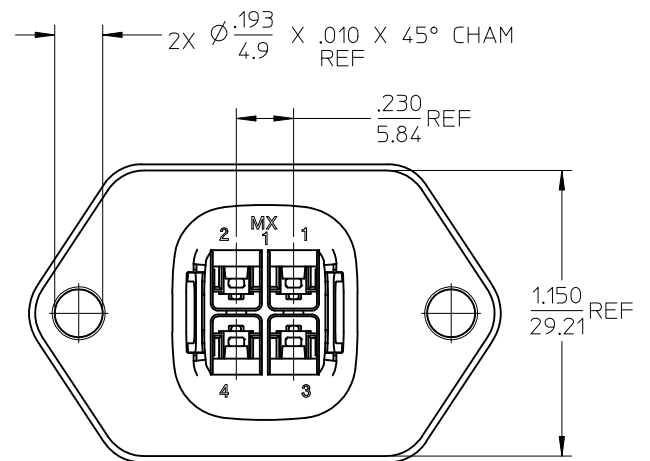
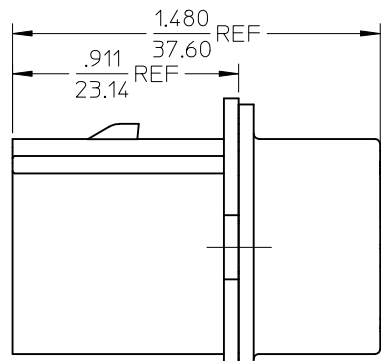
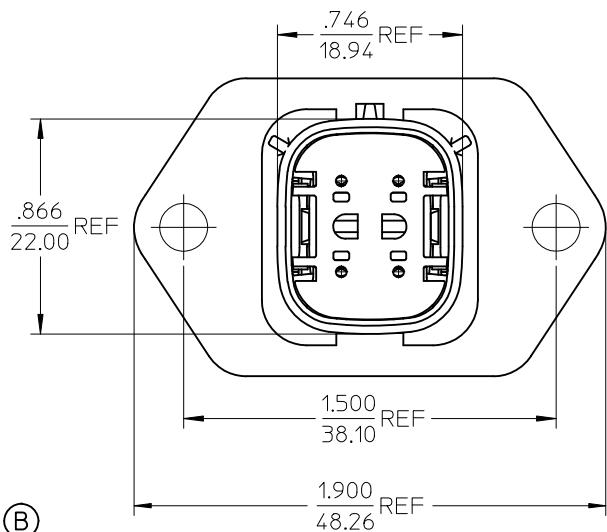


ASSEMBLED VIEW
SCALE 1:1

RECOMMENDED PANEL
MOUNT OPENING
MAX PANEL THK .080/2.03



- NOTES:
1. MATERIALS:
HOUSING: POLYESTER (PBT), GLASS FILLED, UL94 V-0,COLOR: BLACK
GASKET: EPDM RUBBER
2. PRODUCT SPECIFICATION: PS-19417-001.
3. PACKAGING SPECIFICATION: PK-19429-001.
GASKETS, IF REQUIRED FOR THE ASSEMBLIES,ARE BULK PACKAGED IN A SEPARATE BAG.
4. MATES WITH: 19418 SERIES RECEPTACLE ASSEMBLIES.
5. USE CONNECTOR WITH MALE CRIMP TERMINAL: SERIES 19417.
6. RECOMMENDED MOUNTING HARDWARE: (2)#10 X .62/15.8 LONG
PLASTIC THREAD CUTTING SCREWS, RECOMMENDED TORQUE 15-17 IN-LBS.
SUGGESTED SOURCE: ITW SHAKEPROOF INDUSTRIAL BOSSCREW OR EQUIVALENT.
7. ASSEMBLY IS ROHS COMPLIANT.

194290043	YES
194290025	NO
MATERIAL NUMBER	GASKET

REVISE NOTES EC NO: IPG2012-0161 DRWN:WLEUNG 2012/02/10 CHKD: APPR:DTITUS 2012/02/28 DESCRIPTION	QUALITY SYMBOLS	GENERAL TOLERANCES (UNLESS SPECIFIED)	SCALE 2:1	DESIGN UNITS INCH	THIRD ANGLE PROJECTION	REVISE ON CAD ONLY
	▽ -0 ∇ -0	4 PLACES ± --- ± --- 3 PLACES ± --- ± .015 2 PLACES ± 0.38 ± --- 1 PLACE ± --- ± ---	DIMENSION STYLE IN/MM DRAWN BY DMYRICK DATE 07/19/04 CHECKED BY JPAWLICK DATE 07/19/04 APPROVED BY RDEROSS DATE 07/19/04			
		ANGULAR ± 1° DRAFT WHERE APPLICABLE MUST REMAIN WITHIN DIMENSIONS			TITLE 4 WAY PLUG PANEL MOUNT ASSEMBLY W/O BOSS 22-14 AWG MOLEX INCORPORATED	
					MATERIAL NO. SEE CHART DOCUMENT NO. SD-19429-011 SHEET NO. 1 OF 1	