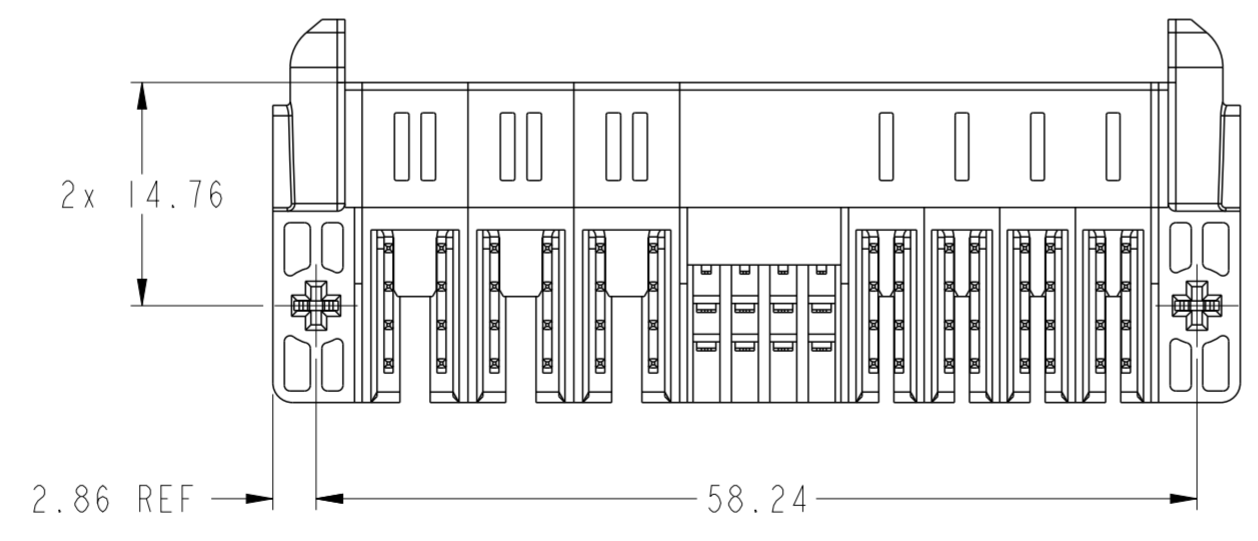
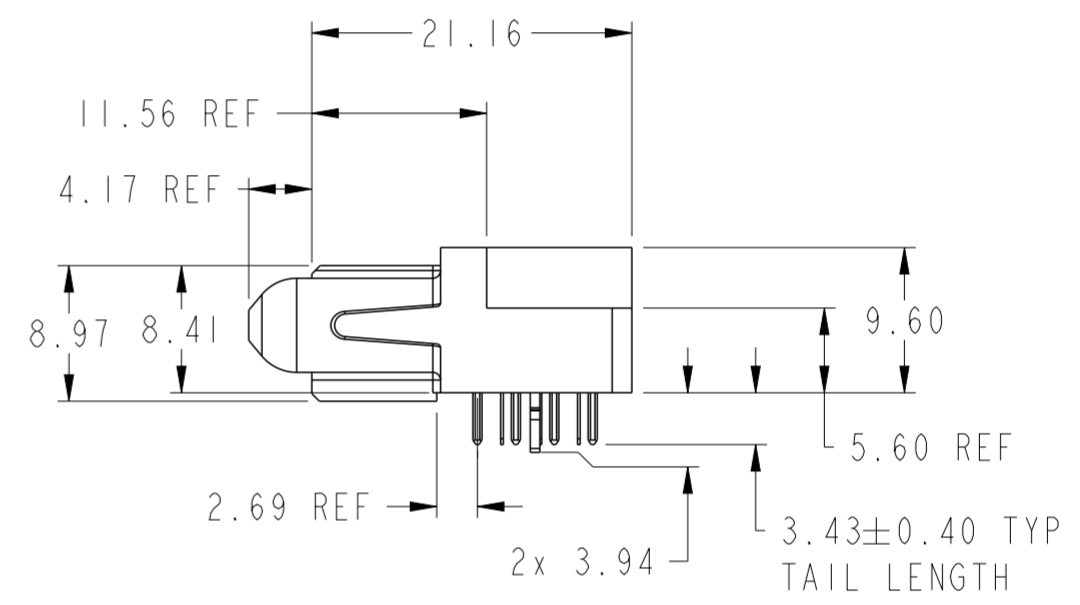
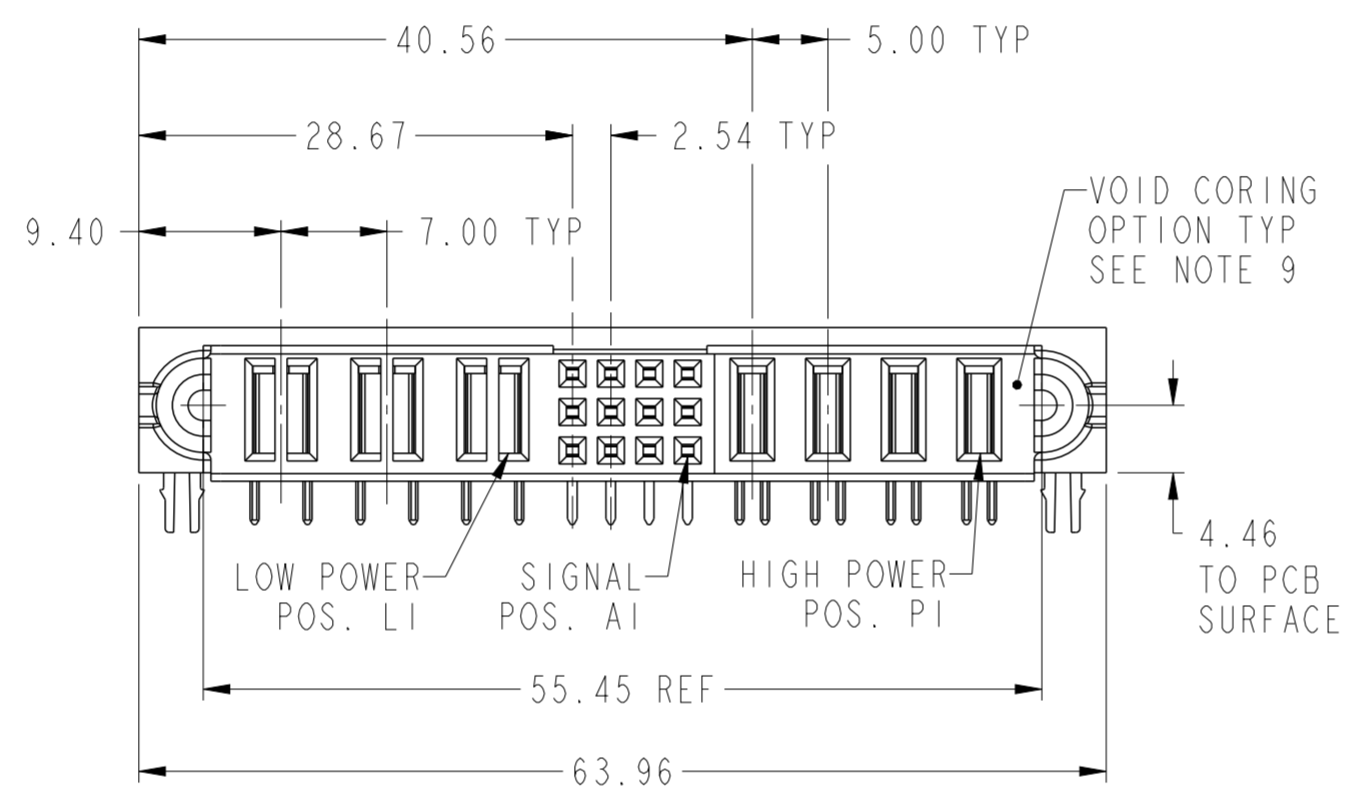
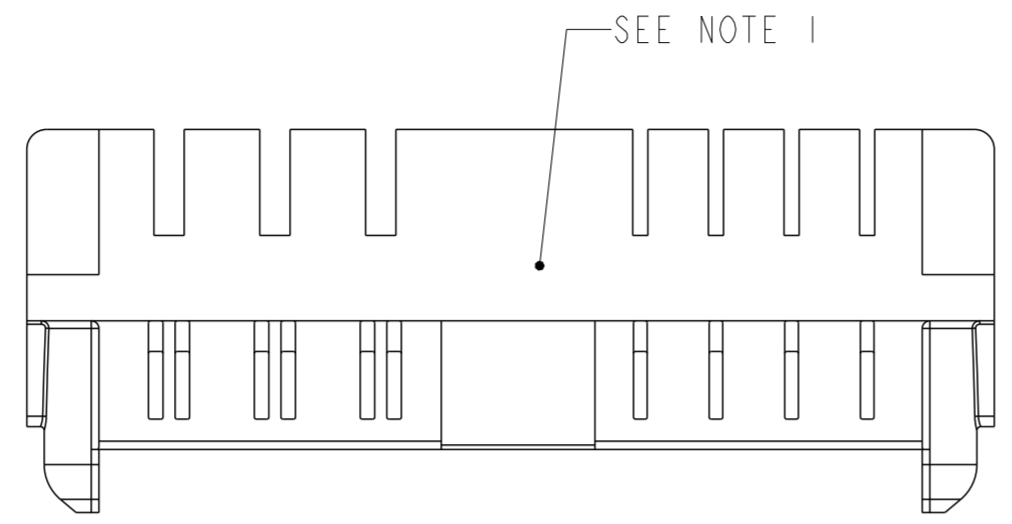


PRODUCT NUMBER  
10127401-01HI420LF



Copyright FCI.  
**FCI**

spec ref	-	dr	T Brungard	2014/05/06	projection	mm	size	A2	scale	2:1
tolerance std	ASME Y14.5	eng	De-Ming Lu	2015/12/29		mm	ecn no	-	rel level	Released
TOLERANCES UNLESS OTHERWISE SPECIFIED		chr	Fancy Zhang	2015/12/29						
		appr	Pei-Ming Zheng	2015/12/29						
surface	linear				product family	PwrBlade ULTRA				
	angular	<b>www.fci.com</b>			title	4HP+12S+6LP, SOLDER-TO-BOARD		div no	10127401-01HI420	
					cat. no.	-	Product - Customer Drw	rev	A	
								sheet 1 of 3		

PDS: Rev :A

STATUS:Released

Printed: Dec 30, 2015

PRODUCT NO.

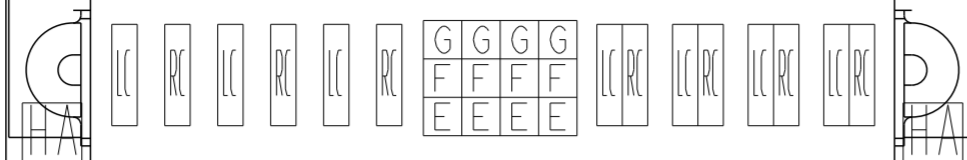
ROWS

MID POWER SIGNAL HIGH POWER

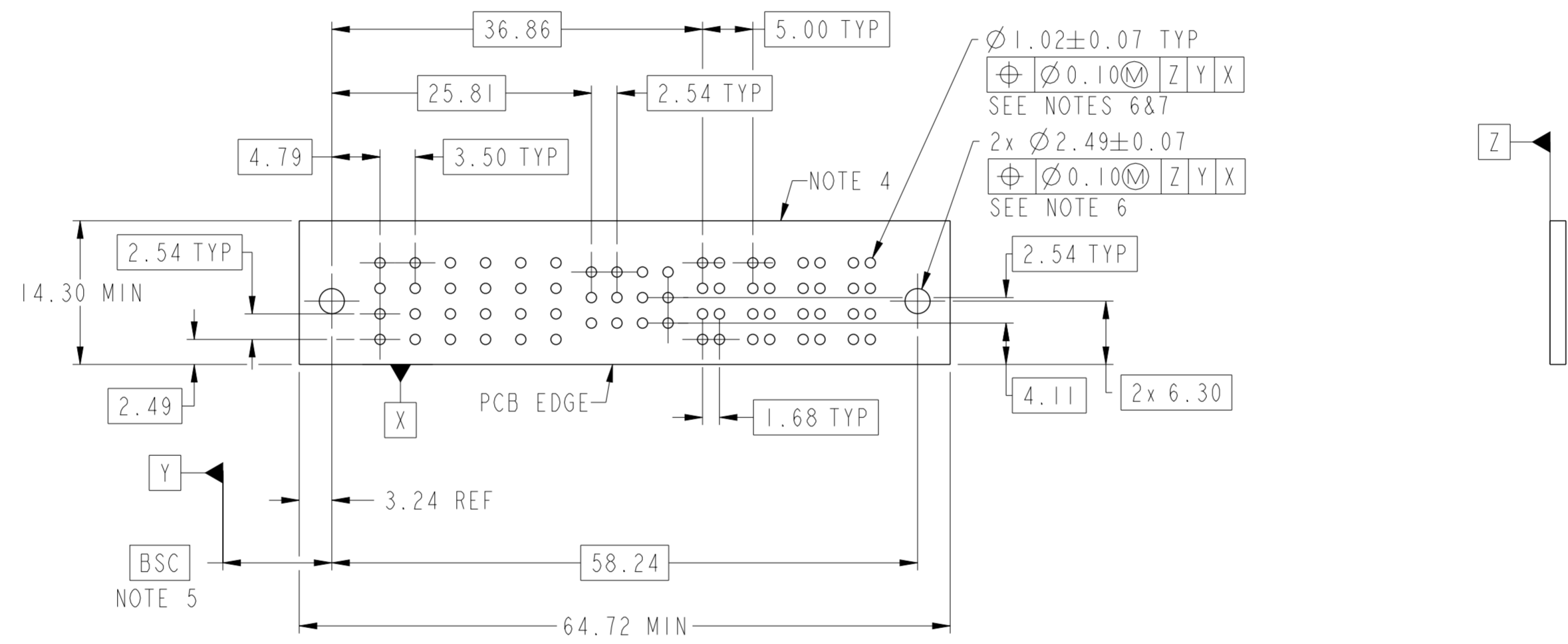
E2 M6 M5 M4 M3 M2 M1 4 3 2 1 P4 P3 P2 P1 E1

10127401-01H1420LF

C  
B  
A



CODE	DESCRIPTION
RC	RIGHT POWER CONTACT
LC	LEFT POWER CONTACT
E	SIGNAL CONTACT
F	SIGNAL CONTACT
G	SIGNAL CONTACT
HA	HOLD DOWN



spec ref	-	dr	T Brungard	2014/05/06	projection	mm	size	A2	scale	2:1
tolerance std	ASME Y14.5	eng	De-Ming Lu	2015/12/29			ecn no	-	rel level	Released
TOLERANCES UNLESS OTHERWISE SPECIFIED		chr	Fancy Zhang	2015/12/29						
TOLERANCES UNLESS OTHERWISE SPECIFIED		appr	Pei-Ming Zheng	2015/12/29						
surface	linear	0.X	±0.5		title 4HP+12S+6LP, SOLDER-TO-BOARD R/A RECEPTACLE, PwrBlade ULTRA	div no 10127401-01H1420	rev A	Product - Customer Drw		
ASME Y14.5	angular	0°	±2°					cat. no.	-	sheet 2 of 3



Copyright FCI.

PRODUCT NUMBER

10127401-01H1420LF

NOTES:

- ①. "FCI", PART NUMBER AND DATE CODE TO BE MARKED ON THIS SURFACE. THE P/N CAN BE OMITTED IF THERE IS NOT ENOUGH SPACE ON THIS SURFACE.
- 2. MATERIALS:  
HOUSING: GLASS FILLED WITH HIGH TEMP POLYAMIDE, UL94V-0.  
POWER CONTACTS: COPPER ALLOY.  
SIGNAL CONTACTS: COPPER ALLOY.  
HOLD DOWN: COPPER ALLOY.
- 3. PLATING SPECIFICATION: FCI 10135186.
- ④. DENOTES CONNECTOR KEEP OUT ZONE.
- ⑤. DATUM AND BASIC DIMENSION ARE ESTABLISHED BY CUSTOMER.
- ⑥. ALL HOLE DIAMETERS ARE FINISHED HOLE SIZES.
- ⑦. 1.150±0.025mm DRILLED HOLE PLATED WITH 7.62µm MIN Sn OVER 25.4µm-76.2µm Cu PLATING TO ACHIEVE A 1.02±0.07mm FINISHED HOLE.
- 8. PRODUCT SPECIFICATION: FCI GS-12-1176.  
APPLICATION SPECIFICATION: FCI GS-20-0389.  
PRODUCT PACKAGE SPECIFICATION: FCI GS-14-2354.
- ⑨. THE VOID CORING BETWEEN POWER MODULES, SIGNAL MODULES AND END MODULES ARE OPTIONAL AND THE SHAPE MAY BE DIFFERENT TO OPTIMIZE THE MOLDING PROCESS. THE VOID CORING WILL NOT EFFECT THE PRODUCT FUNCTION.



Copyright FCI.

spec ref	-	dr	T Brungard	2014/05/06	projection	mm	size	A2	scale	2:1
tolerance std	-	eng	De-Ming Lu	2015/12/29			ecn no	-	rel level	Released
ASME Y14.5	TOLERANCES UNLESS OTHERWISE SPECIFIED	chr	Fancy Zhang	2015/12/29						
		appr	Pei-Ming Zheng	2015/12/29						
surface	✓	linear	0.X	±0.5		<b>4HP+12S+6LP, SOLDER-TO-BOARD</b> R/A RECEPTACLE, PwrBlade ULTRA		10127401-01H1420		<b>A</b>
			0.XX	±0.25						
			0.XXX	±0.130						
ASME Y14.5	angular	0°	±2°	www.fci.com	cat. no.	-	Product - Customer Drw	sheet 3 of 3		