

# N43 RAIL MOUNTED POWER NETWORK METER

## Features

- MOD BUS**
- P,Q C/L L/C**
- eCon**
- THD**

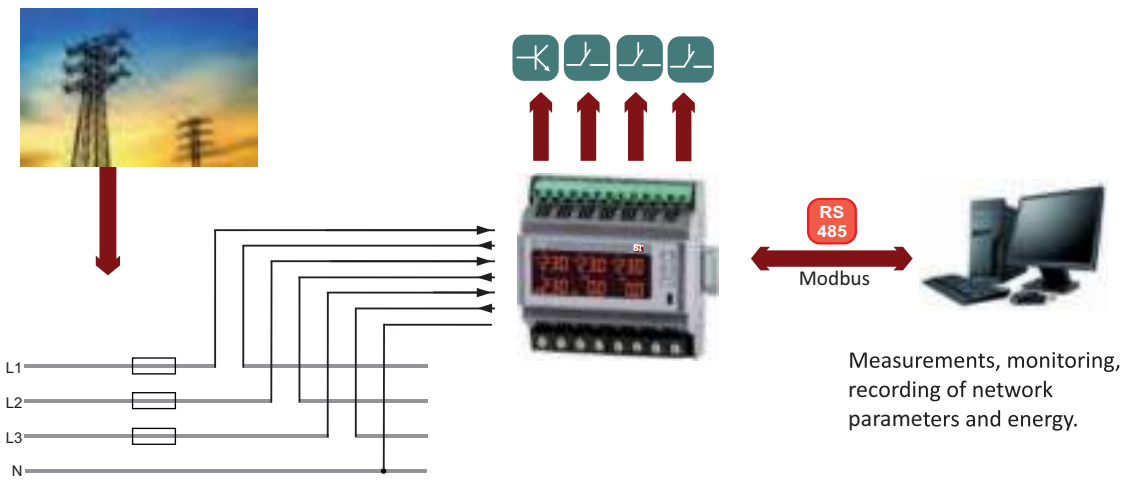


**NEW**



- For direct (up to 63A) and indirect measurement, in 3 phase 4 wire/3 wire balanced and unbalanced systems
- The measurement of: rms values of voltage and current, active, reactive and apparent power, active, reactive, energy, power factors, frequency, THD
- Indications considering values of programmed ratios
- Backlit LCD display.
- Programmable display pages.
- 3 programmable alarm outputs and 1 pulse output in standard version.
- Pulse output for monitoring of 3-phase active energy
- Digital transmission to the master system through the RS-485 interface (MODBUS).
- USB for configuration by using free eCon software
- Modern design allows for installation of the meter in modular switchgear in accordance with EN 62208 (meter has a width of 6 modules) on 35 mm rail.

## Example of Application



## Inputs

- up to 63 A**

## Outputs

- 3x**
- USB**

## Galvanic Isolation

- 
- RS 485**

## Measured Quantities and Measured Ranges

Measured value	Measuring Range	L1	L2	L3	S	Basic Error**
Current In 1 A/5 A 1 A ~ 5 A ~ 63 A ~	0.002...1.20 A or kA * 0.010...6.00 A or kA * 0.10...76.0A~	•	•	•		±0.5%
Voltage L-N 57,7 V ~ 230 V ~ 290 V ~	2.80 ...70.0 V or kV* 10.0 ... 276 V~ 14.0 ... 348 V~	•	•	•		±0.5%
Voltage L-L 100 V ~ 400 V ~ 500 V ~	5.00 ... 120 V or kV* 20.0 ... 480 V~ 25.0 ... 600 V~	•	•	•		±1%
Frequency	47.0 ... 63.0 Hz				•	±0.5%
Active power /import or export/	0.00 ... 999 W,kW or MW	•	•	•	•	±1%
Reactive power /capacitive or inductive indication	0.00 ... 999 VAR, kVAr or MVAR	•	•	•	•	±1%
Apparent power	0.00 ... 999 VA, kVA or MVA	•	•	•	•	±1%
Active energy /import or export/	0.0 ... 999999.9 kWh or MWh				•	±1%
Reactive energy /capacitive or inductive indication	0.0 ... 999999.9 kVArh or MVArh				•	±1%
Power factor PF	-1 ... 0 ... 1	•	•	•	•	±1%
Tangent φ	+1.2 ... 1 ...1.2	•	•	•	•	±1%

\* depending on set current ratio:  
 - tr\_U ratio (ratio of the voltage transformer: 0.1...4000.0)  
 - tr\_I ratio (ratio of the current transformer: 1...10000)  
 \*\* calculated for the nominal range In, Un

## Outputs

Kind of Outputs	Properties
Relay output	• 3x programmable relay output, normally open voltageless contacts, load capacity 250 V~/0.5 A~
Pulse output	• 1 x pulse output, OC type, passive (for monitoring of active energy)

Sifam Tinsley Instrumentation Ltd  
 Unit 1 Warner Drive,  
 Springwood Industrial Estate  
 Braintree, Essex, UK, CM72YW  
 E-mail: sales@sifamtinsley.com  
 Web: www.sifamtinsley.com/uk  
 Contact: +44(0)1803615139



Sifam Tinsley Instrumentation Inc.  
 3105, Creekside Village Drive,  
 Suite No. 801, Kennesaw,  
 Georgia 30144 (USA)  
 E-mail Id : psk@sifamtinsley.com  
 Web : www.sifamtinsley.com  
 Contact No. : +1 404 736 4903



# N43 RAIL MOUNTED POWER NETWORK METER

## Digital Interface

Type of interface	Transmission protocol	Mode	Rate
RS-485 Modbus	MODBUS RTU	8N2, 8E1, 8O1, 8N1	4.8; 9.6; 19.2; 38.4 kbit/s
USB 1.1/ 2.0	MODBUS RTU	8N2	9.6 kbit/s

## External Features

Readout field	LCD display, monochromatic with backlight		
Weight	< 0.3 kg		
Overall dimensions	105 ´ 110 ´ 60 mm		
Protection grade (acc. to EN 60529)	from housing side: IP50	from terminal side: IP00	

## Rated Operatin Conditions

Supply voltage	85...253 V a.c., 90...300 V d.c. 20...40 V a.c., 20...60 V d.c.		
Temperature	ambient: -10...23...55°C		
Relative humidity	0...95%	inadmissible condensation	
Operating System	any		
External magnetic field	0...40...400 A/m		
Short duration overload	voltage inputs (5 sec): 2 Un	current inputs: - 1 sec. 50 A (for version In 1 A/ 5 A) - 1 sec. 630 A (for version In 63 A)	
Power consumption	- in the supply circuit ≤ 4 VA, - in the voltage and current circuits ≤ 2 VA		

## Safety and Compatibility Requirements

Electromagnetic compatibility	noise immunity	acc. to EN 61000-6-2
	noise emissions	acc. to EN 61000-6-4
Safety requirements	acc. to EN 61010-1	

## Electrical Connections

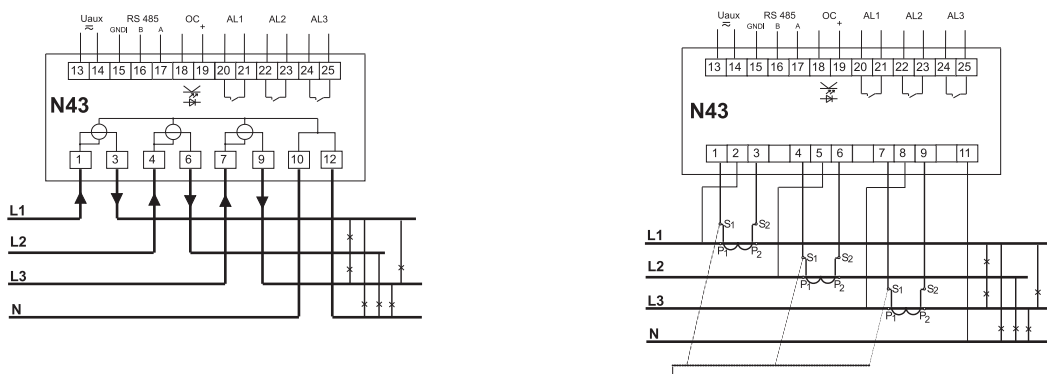


Fig. 1 Meter connection diagram

## Ordering

Rail Mounted Network Meter N43	X	X	X	XX	X	X
<b>Current input in</b>						
1 A/5 A (X/1; X/5)	1					
63 A	2					
<b>Voltage input (phase/phase-to-phase) Un</b>						
3 x 57.7/100 V		1				
3 x 230/400 V		2				
3 x 290/500 V		3				
<b>Auxiliary supply</b>						
85...253 V AC, 90...300 V DC			1			
20...40 V AC., 20...60 V DC			2			
<b>Version</b>						
standard					00	
custom-made*					xx	
<b>Language</b>						
Polish						P
English						E
other*						X
<b>Acceptance tests</b>						
Without extra quality requirements						0
With an extra quality inspection certificate						1
Acc. to customer's request*						X

\* - after agreeing with the manufacturer

### EXAMPLE OF ORDER

The code **N43 22 1 00 E 0** means:  
**N43**- meter of network parameters of N43 type  
**2**- current input: 63 A  
**2**- input voltage (phase/phase-to-phase) Un = 3 x 230 V/ 400 V  
**1**- auxiliary supply: 85...253 V a.c., 90...300 V d.c.  
**00**- standard version  
**E**- all descriptions and users's manual in English  
**0**- without extra quality requirements.

See Also



Free eCon program for programming SIFAM'S products.



ND20 - power network meter.



P43 - three-phase transducer of power network parameters.

OUR OFFER ST



For more information about SIFAM's products please visit our website  
[www.sifamintinsley.com/uk](http://www.sifamintinsley.com/uk)

Sifam Tinsley Instrumentation Ltd  
 Unit 1 Warner Drive,  
 Springwood Industrial Estate  
 Braintree, Essex, UK, CM72YW  
 E-mail: [sales@sifamintinsley.com](mailto:sales@sifamintinsley.com)  
 Web: [www.sifamintinsley.com/uk](http://www.sifamintinsley.com/uk)  
 Contact: +44(0)1803615139



Sifam Tinsley Instrumentation Inc.  
 3105, Creekside Village Drive,  
 Suite No. 801, Kennesaw,  
 Georgia 30144 (USA)  
 E-mail Id : [psk@sifamintinsley.com](mailto:psk@sifamintinsley.com)  
 Web : [www.sifamintinsley.com](http://www.sifamintinsley.com)  
 Contact No. : +1 404 736 4903