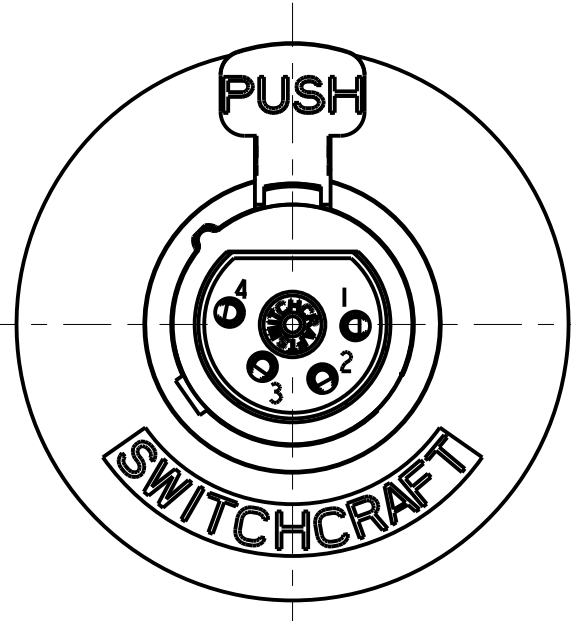
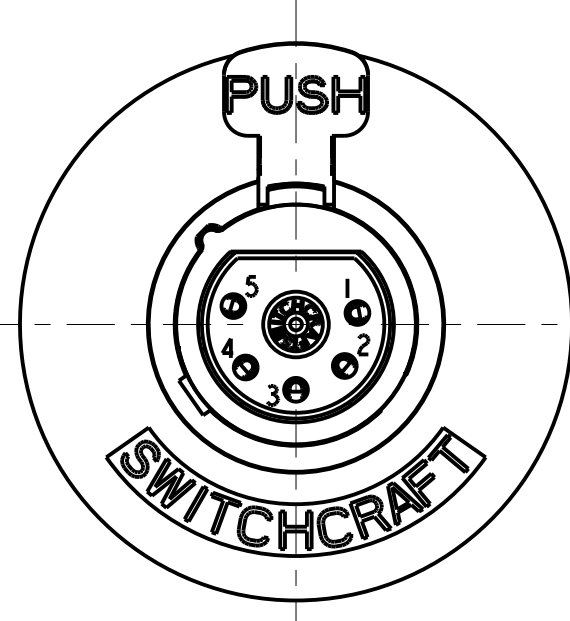


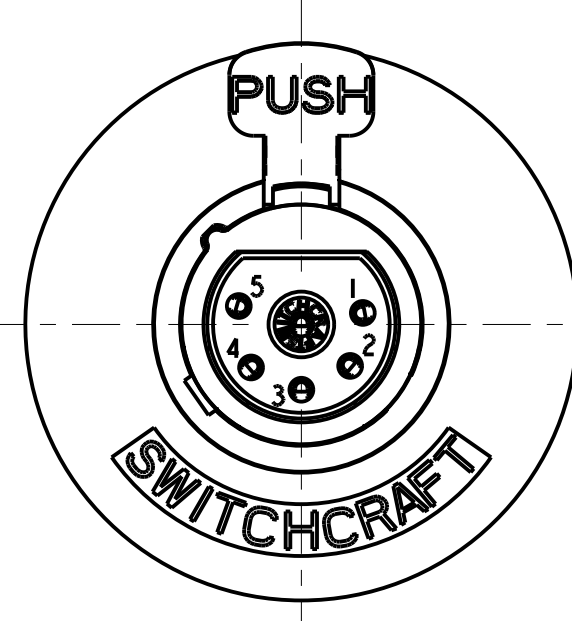
3 PIN



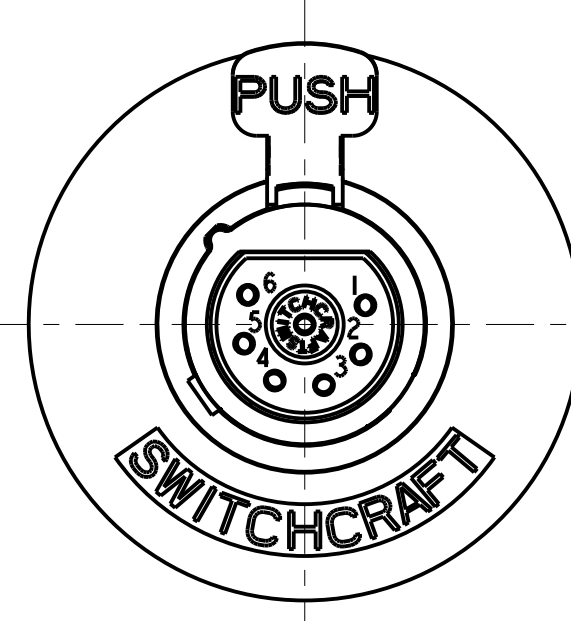
4 PIN



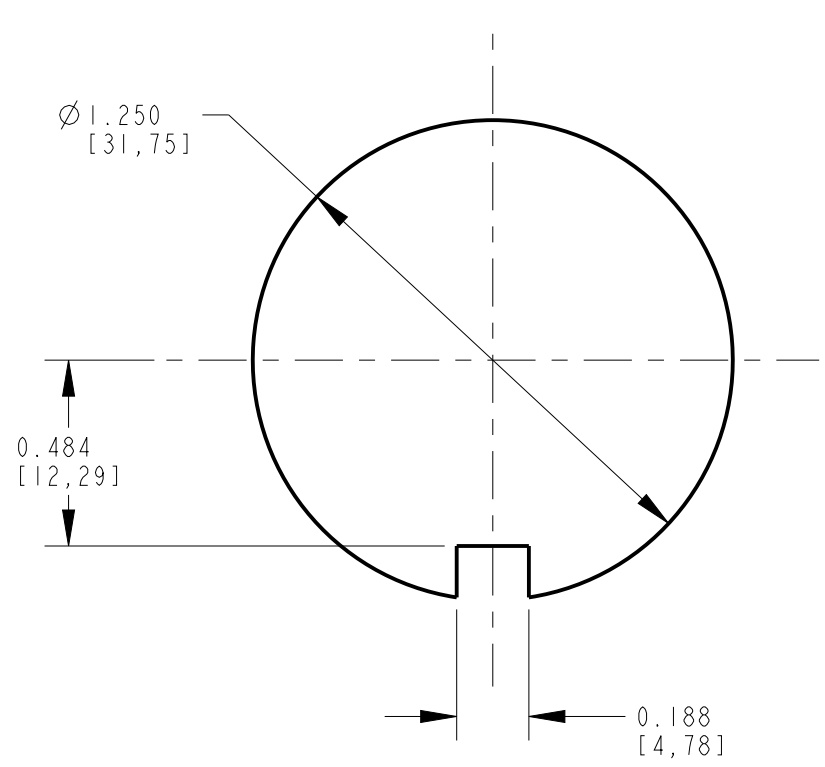
5 PIN



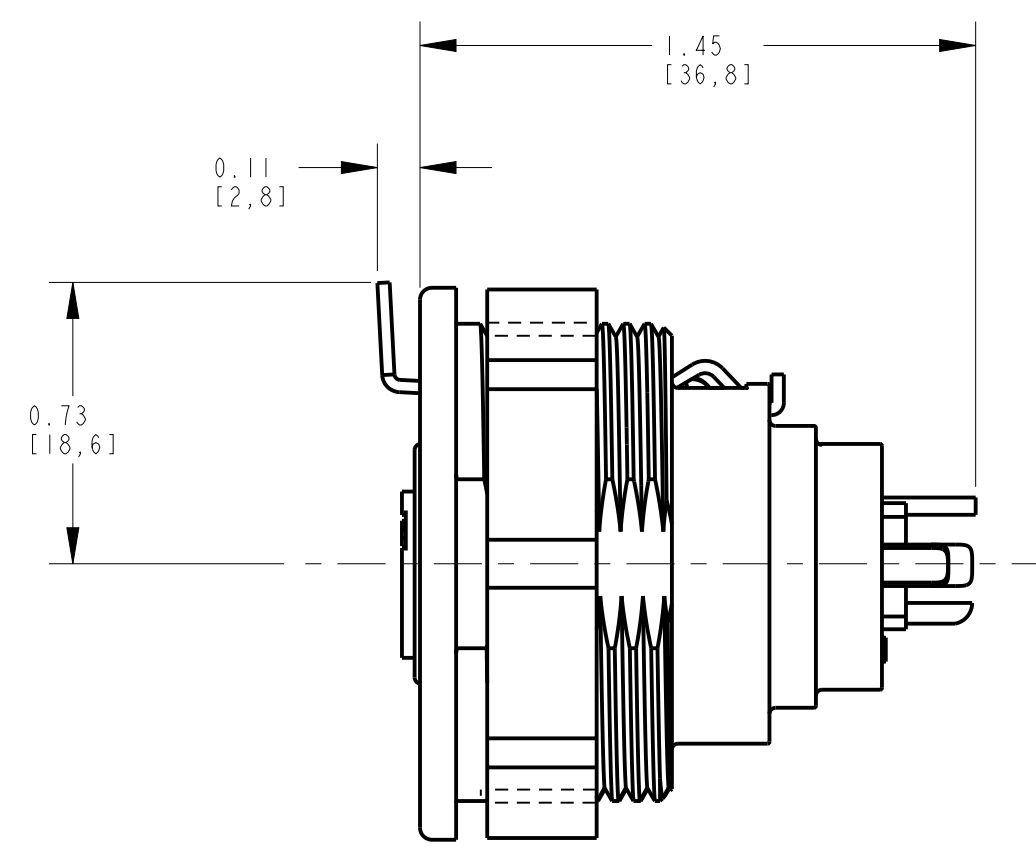
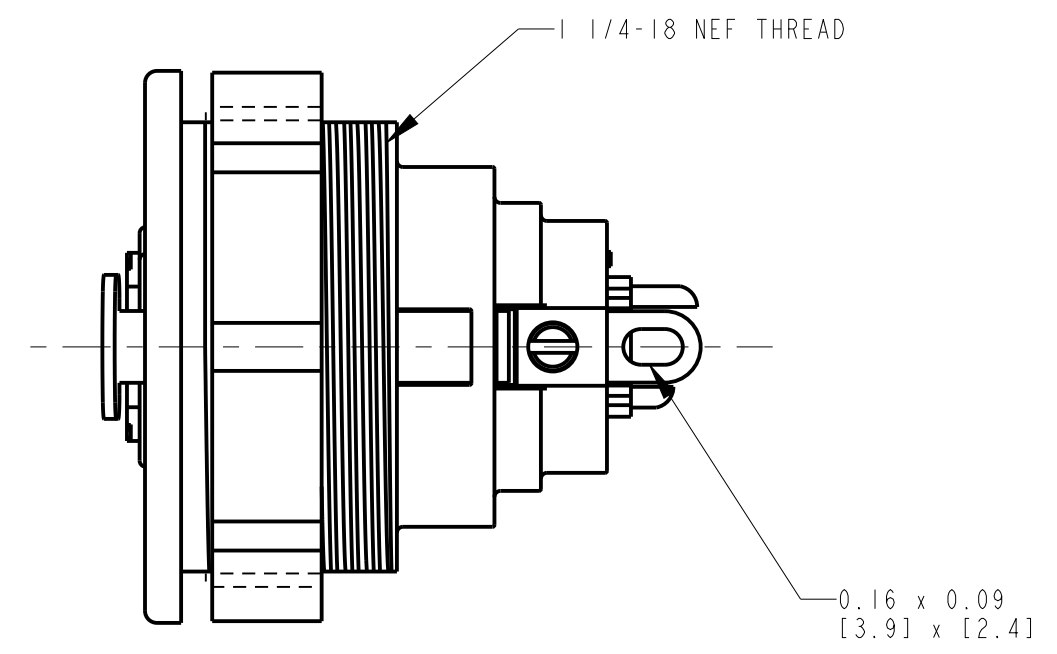
6 PIN



7 PIN



RECOMMENDED PANEL CUT-OUT

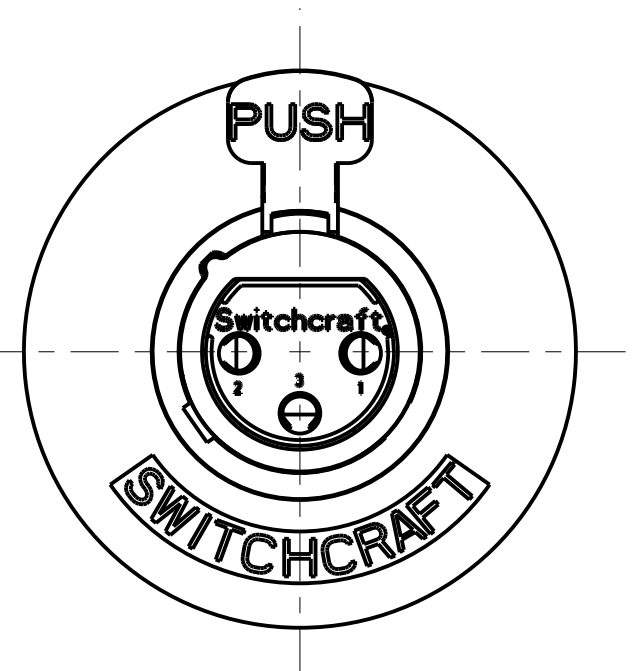


STANDARD SERIES

SCREW - STAINLESS STEEL
 SHELL - STAINLESS STEEL
 LATCH BUTTON - ZINC, NICKEL PLATED
 INSULATOR - POLYESTER, GREEN
 SOLDER TERMINAL - BRASS, ELECTRO TIN
 LATCH SPRING - STAINLESS STEEL
 CONTACT PIN - PHOSPHOR BRONZE, SILVER PLATED
 HOUSING - ZINC
 NUT - ZINC, NICKEL PLATED
 RELEASE LEVER - STEEL NICKEL PLATED

HOUSING FINISH: SEE NOTE 2
 BLANK = NICKEL PLATE (STANDARD)
 BX = BLACK, RoHS

NO. OF CONTACTS:
 3 = 3 CONTACTS
 4 = 4 CONTACTS
 5 = 5 CONTACTS
 6 = 6 CONTACTS
 7 = 7 CONTACTS



- NOTES:**
1. ALL DIMENSIONS REF. UNLESS OTHERWISE SPECIFIED.
 2. BLACK HOUSING AND INSERT WITH SATIN NICKEL PLATED LATCH.
 3. THIS PRODUCT IS RoHS COMPLIANT.

| REV | ECO NUMBER | DATE | BY | APVD |
|-----|------------|----------|----|------|
| M | 28302 | 07-08-20 | PC | TJK |
| L | 26158 | 10-4-06 | TO | TJK |
| K | ECO #22895 | 9-17-99 | DA | RB |
| J | 20627 | 2-1-96 | SG | SG |

★ STAR SYMBOL DENOTES CRITICAL DIMENSION

UNLESS OTHERWISE SPECIFIED

1. ALL DIMENSIONS IN INCHES
 - TWO PLACE DECIMALS ±0.005
 - THREE PLACE DECIMALS ±0.0005
 - FRACTIONAL DIMENSIONS ±1/64
 - ANGLES ±1°
 - ALL DIA. CONCENTRIC WITHIN 0.005 T.I.R.

2. FEATURES ON THE SAME CENTERLINE MUST BE ALIGNED WITHIN ±0.002

3. REMOVE ALL BURRS

DO NOT SCALE DRAWING

CUSTOMER DRAWING

THIS DRAWING DESCRIBES A DESIGN CONSIDERED PROPRIETARY IN NATURE, DEVELOPED AND MANUFACTURED BY SWITCHCRAFT INC. AND IS RELEASED ON A CONFIDENTIAL BASIS FOR IDENTIFICATION PURPOSES ONLY.

| | | | | |
|--------------------------|-------|-------------------|-------|--------|
| SIZE | WIDTH | MULT | LBS/M | TEMPER |
| FINISH | | MATERIAL SPEC No. | | |
| SPEC No. | | SCALE 2:1 | | |
| DATE DRAWN | BY | CHKD | APVD | |
| 11-Dec-93 | SG | AA | GHJ | |
| NAME | | | | REV |
| B SERIES FEMALE OG, RoHS | | | | M |

Switchcraft

SHEET 1 OF 1

PART No. B_F SERIES