

6

5

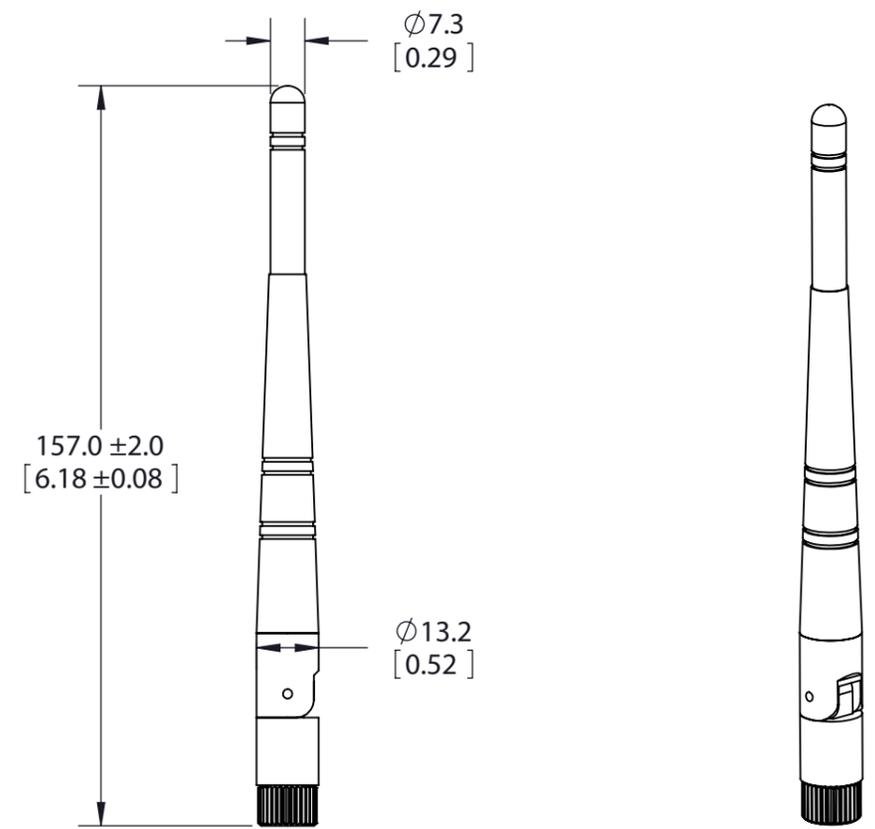
4

3

2

1

REVISIONS					
REV.	ECR#	ZONE	DESCRIPTION	CHANGED BY/DATE	APPROVED BY/DATE
AA			INITIAL RELEASE	TB 03-30-09	TB 03-30-09



PARAMETER	PERFORMANCE
Model Number	RD2458-5-SMA
Antenna Type	Dipole
Frequency	2.40-2.50GHz/4.9-5.85GHz
Input Impedance	50 Ohms
VSWR	2.0:1
RF Connector	SMA
Radome	Black, TPEE

MATERIAL: N/A	THIRD ANGLE PROJECTION											
FINISH: N/A	DO NOT SCALE DRAWING											
<table border="1"> <thead> <tr> <th>APPROVALS</th> <th>DATE</th> </tr> </thead> <tbody> <tr> <td>DRAWN BY: T.BOWSER</td> <td>03-30-09</td> </tr> <tr> <td>PROJ. ENG: T.PETROPOULOS</td> <td>12/15/09</td> </tr> <tr> <td>APPL. MECH: R.CHICOINE</td> <td>12/15/09</td> </tr> <tr> <td>MFG: I.CHICKLIS</td> <td>12/15/09</td> </tr> </tbody> </table>		APPROVALS	DATE	DRAWN BY: T.BOWSER	03-30-09	PROJ. ENG: T.PETROPOULOS	12/15/09	APPL. MECH: R.CHICOINE	12/15/09	MFG: I.CHICKLIS	12/15/09	<p>RD2458-5-SMA</p>
APPROVALS	DATE											
DRAWN BY: T.BOWSER	03-30-09											
PROJ. ENG: T.PETROPOULOS	12/15/09											
APPL. MECH: R.CHICOINE	12/15/09											
MFG: I.CHICKLIS	12/15/09											
<p>INTERPRET DIMENSIONING AND TOLERANCING IN ACCORDANCE WITH ASME Y14.5M-1994</p> <p>TOLERANCES UNLESS OTHERWISE SPECIFIED</p> <p>DIMENSIONS ARE IN MILLIMETERS</p> <p>ANGLE: ±30' 0 PLACE DECIMAL: ±0.5 1 PLACE DECIMAL: ±0.25 2 PLACE DECIMAL: ±0.13</p> <p>SURFACE ROUGHNESS 1.6/√</p>		<p>SIZE: A3</p> <p>SCALE: 1:1</p>										
		<p>DWG. NO. RD2458-5-SMAMO</p> <p>PREVIOUS#</p>	<p>REV AA</p> <p>SHEET 1 OF 1</p>									

THIS DRAWING IS UNPUBLISHED. RELEASED FOR PUBLICATION - , - .
 © Copyright 2022 TE Connectivity Ltd. ALL RIGHTS RESERVED.

6

5

4

3

2

1