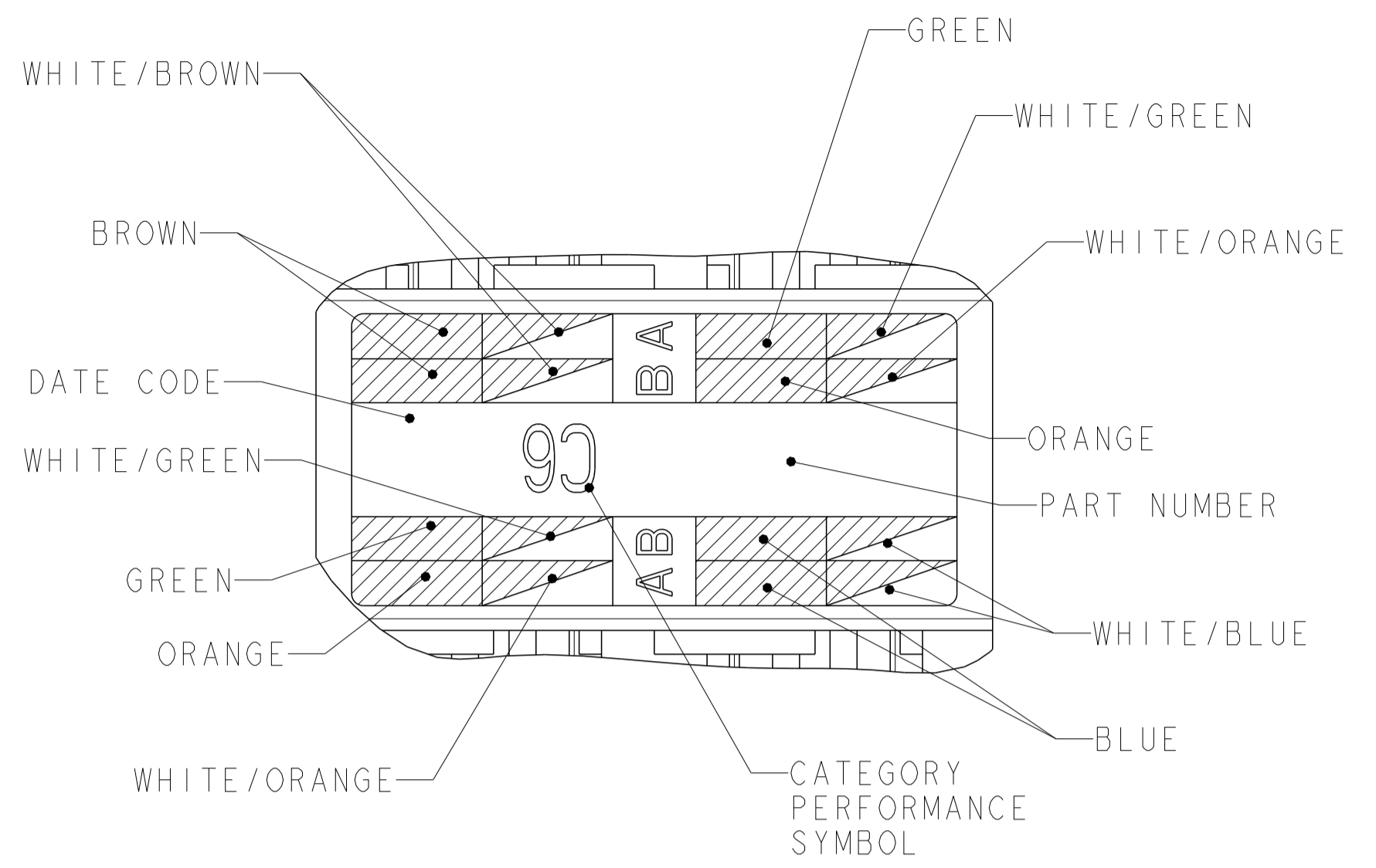
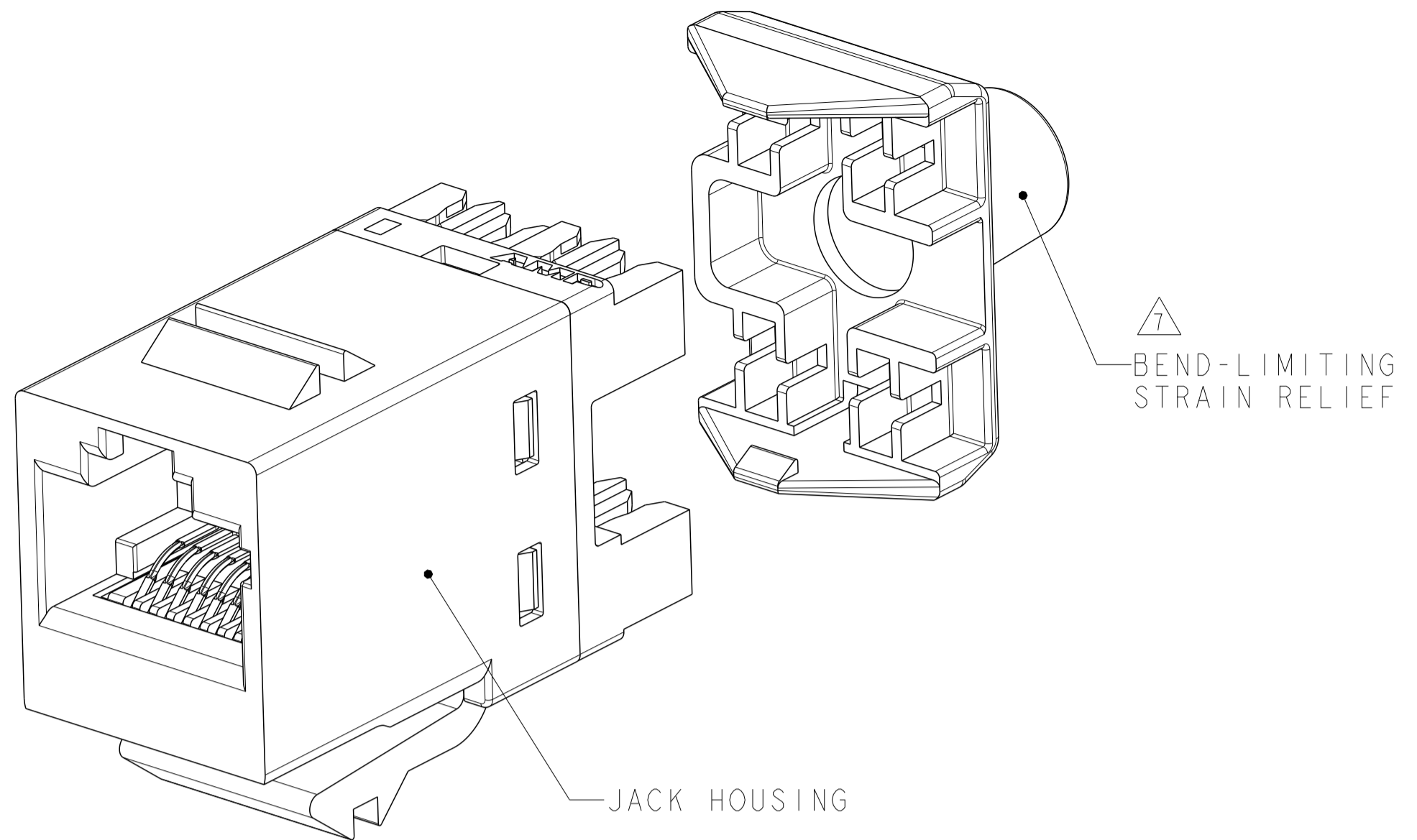
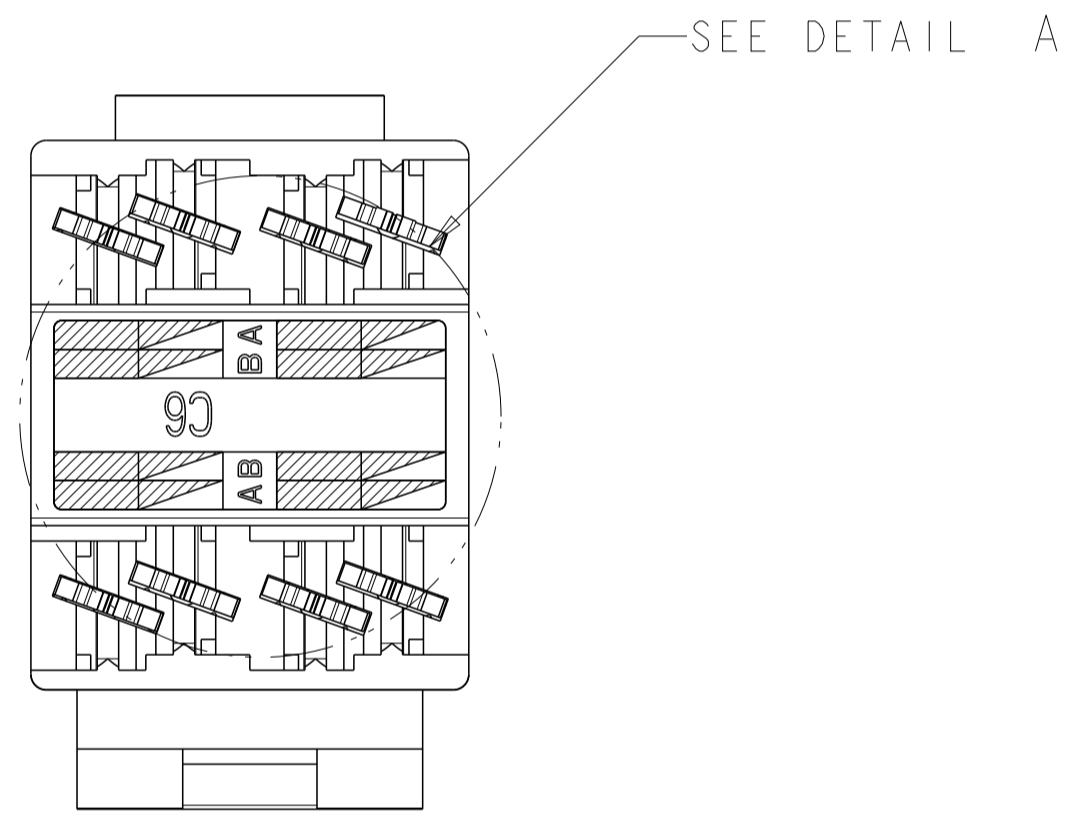
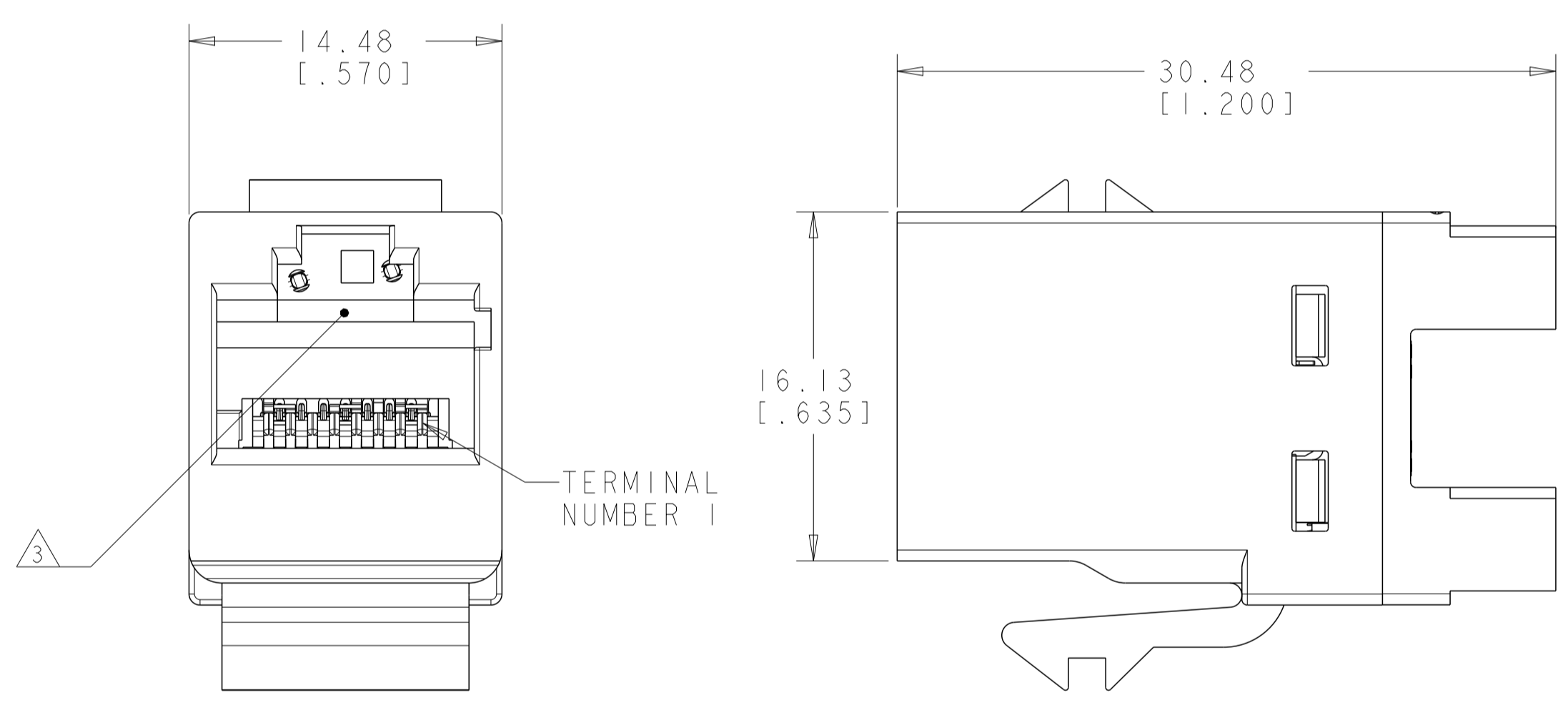


LOC	DIST	REVISIONS					
HM	00	P	LTN	DESCRIPTION	DATE	DMN	APVD
		G		REV: ECO-11-010763	08JUL2011	JB	SA
		H		REV: ECO-11-021924	03NOV2011	GG	SA
		J		REV: ECO-15-007052	11MAY2015	GG	LS
		J1		REV: 40026223MCO	04NOV2015	GG	SJ



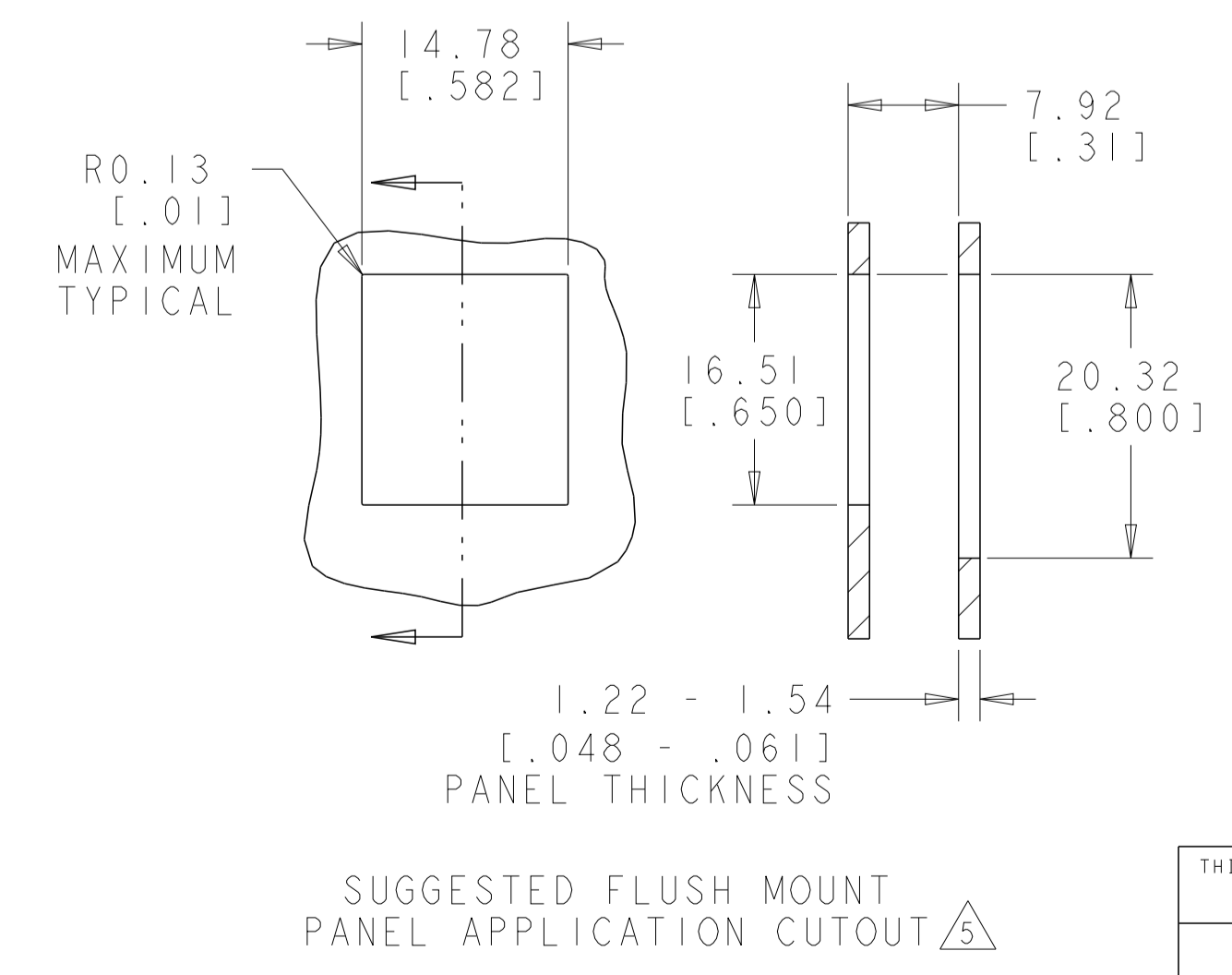
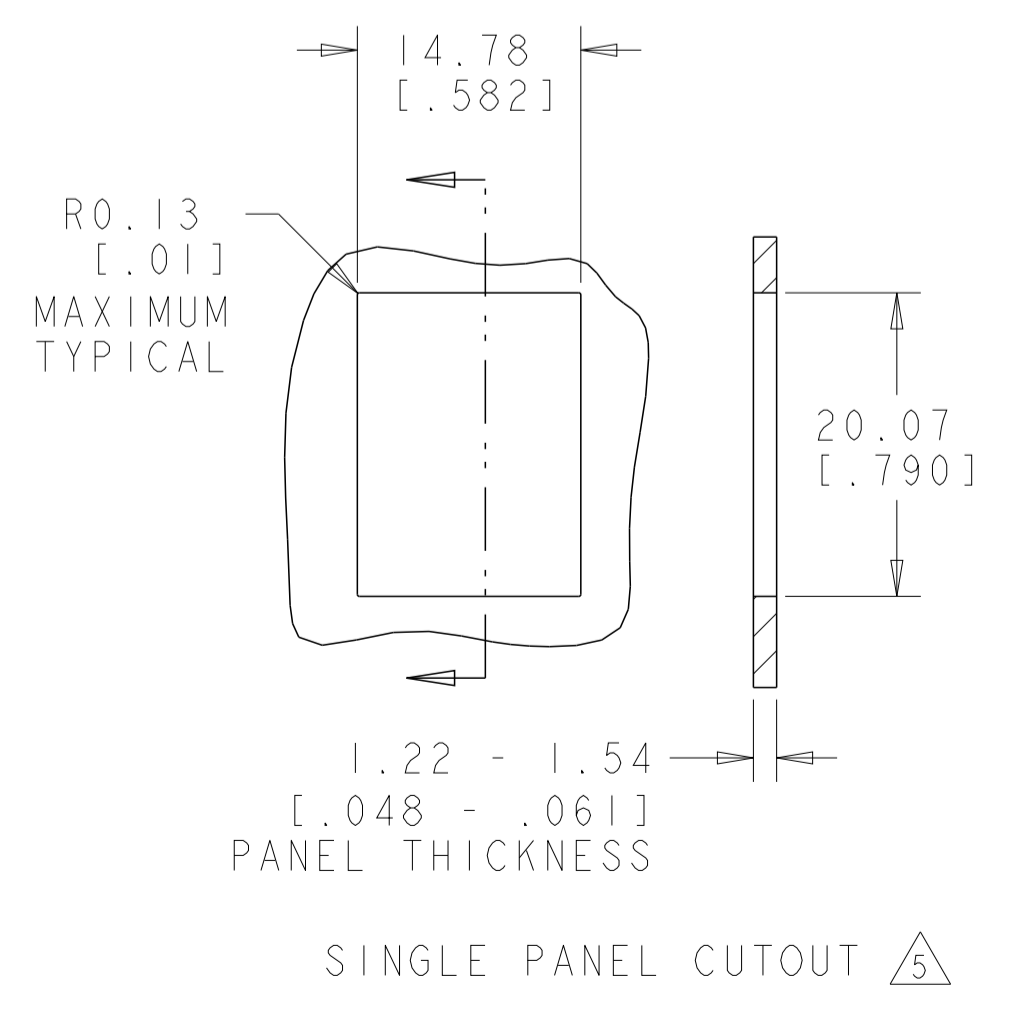
DETAIL A
SCALE 8:1

- 1 MATERIAL: JACK HOUSING - POLYCARBONATE, 94V-0 RATED. 110 BLOCK AND BEND LIMITING STRAIN RELIEF - POLYCARBONATE. ARRAY TRAY - PBT POLYESTER. JACK CONTACTS ARRAY - BERYLLIUM COPPER, PLATED WITH 1.27µm [.000050] MINIMUM THICK GOLD IN LOCALIZED AREA AND 3.81µm [.000150] MINIMUM THICK MATTE TIN IN BOARD INTERFACE AREA OVER 1.27µm [.000050] MINIMUM THICK NICKEL UNDERPLATE. IDC TERMINALS - PHOSPHOROUS BRONZE, PLATED WITH 3.81µm [.00015] MINIMUM THICK MATTE TIN OVER 1.27µm [.00005] MINIMUM THICK NICKEL UNDERPLATE.
- 2. SL 110 JACK WILL TERMINATE 22-24 AWG SOLID AND 24-26 AWG STRANDED CONDUCTORS; 1.27[.050] MAXIMUM INSULATION DIAMETER. JACK WILL ACCEPT CONDUCTORS UP TO 1.45 [.057] BUT REQUIRE THE USE OF A STRAIN RELIEF.
- 3 CAVITY CONFORMS TO FCC RULES AND REGULATIONS PART 68 SUBPART F REQUIREMENTS.
- 4. MOUNTING PANEL THICKNESS 1.47 - 1.60 [.058 - .063].
- 5 THESE TWO SUGGESTED CUTOUT OPENINGS ARE USED IN TANDEM WITH DUAL FRONT AND BACK CUTOUTS.
- 6 ONE MODULAR JACK ASSEMBLY PER POLYBAG.
- 7 USE IS OPTIONAL.
- 8 JACKS MATE WITH SECURE RJ45 PLUGS ONLY. KEY COMBINATIONS 1 THROUGH 4, SHOWN ON SHEET 2. COMPONENTS REMOVED FROM RESPECTIVE VIEWS FOR CLARITY.
- 9 REFER TO 408-8858 FOR TERMINATION INSTRUCTIONS USING SL SERIES TOOL TERMINATION. REFER TO 408-8417 FOR TERMINATION INSTRUCTIONS USING 110 PUNCH DOWN TOOL.



1479794-1 KEY 1 SHOWN

COLOR CODE	IDC TERMINAL	MODULAR JACK	
WHITE/BLUE	5	5	ELECTRICAL SCHEMATIC T568A
BLUE	4	4	
WHITE/ORANGE	3	3	
ORANGE	6	6	
WHITE/GREEN	1	1	ELECTRICAL SCHEMATIC T568B
GREEN	2	2	
WHITE/BROWN	7	7	
BROWN	8	8	



PACKAGE	KEY	COLOR	PART NUMBER
	4	BLUE	1479794-4
	3	GREEN	1479794-3
	2	YELLOW	1479794-2
	1	RED	1479794-1

THIS DRAWING IS A CONTROLLED DOCUMENT.

DMN: G. GARRETT 13JUL2005
CHK: C. DOOLEY 13JUL2005
APVD: C. DOOLEY 13JUL2005

STE TE Connectivity

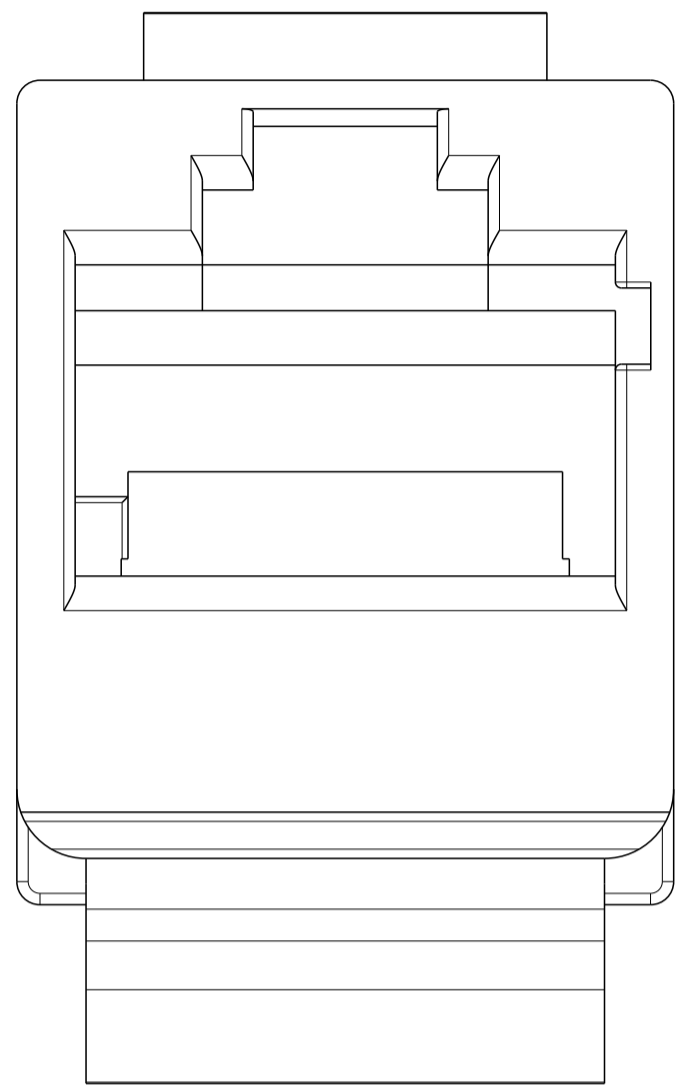
ASSEMBLY, SL 110 JACK, CAT 6, SECURE RJ45

SIZE: A1 CAGE CODE: 1479794 DRAWING NO: 1479794

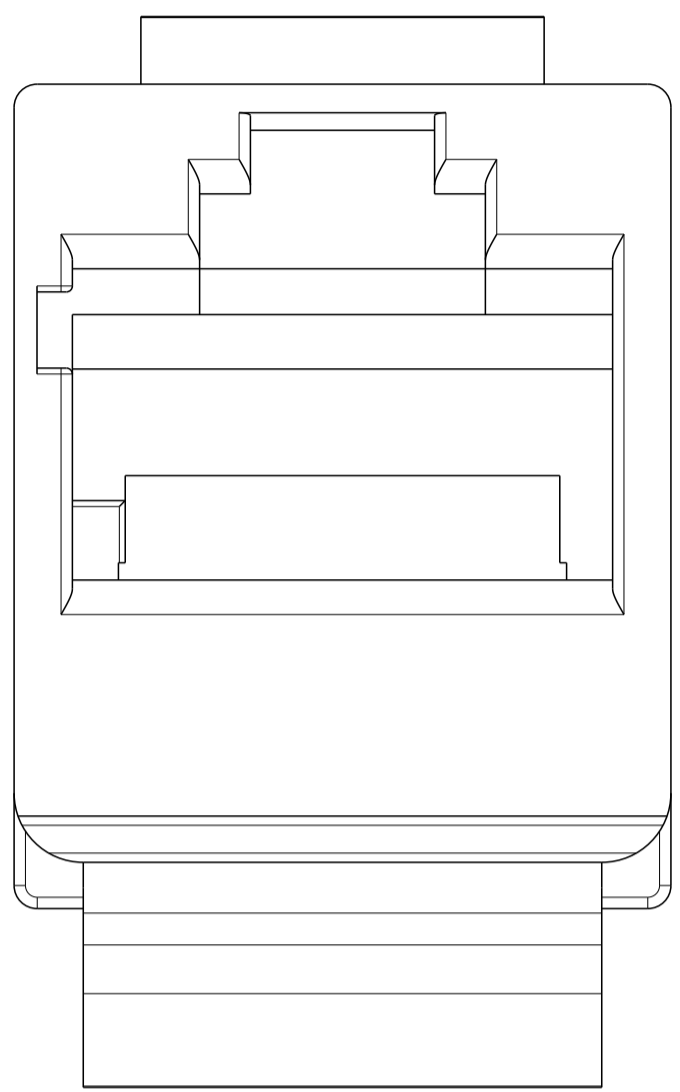
Customer Drawing SCALE: 2:1 SHEET 1 OF 2 REV J1

THIS DRAWING IS UNPUBLISHED. RELEASED FOR PUBLICATION
 © COPYRIGHT 20 BY - ALL RIGHTS RESERVED.

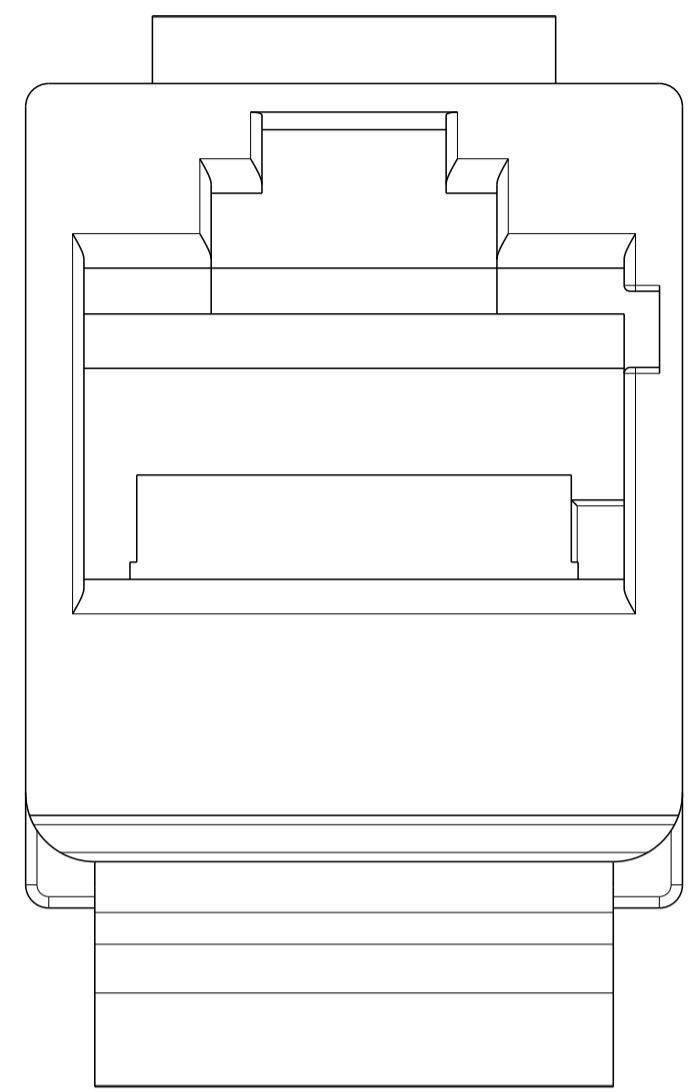
LOC	DIST	REVISIONS					
		P	LTN	DESCRIPTION	DATE	DMN	APVD
HM	00	-	-	SEE SHEET 1	-	-	-



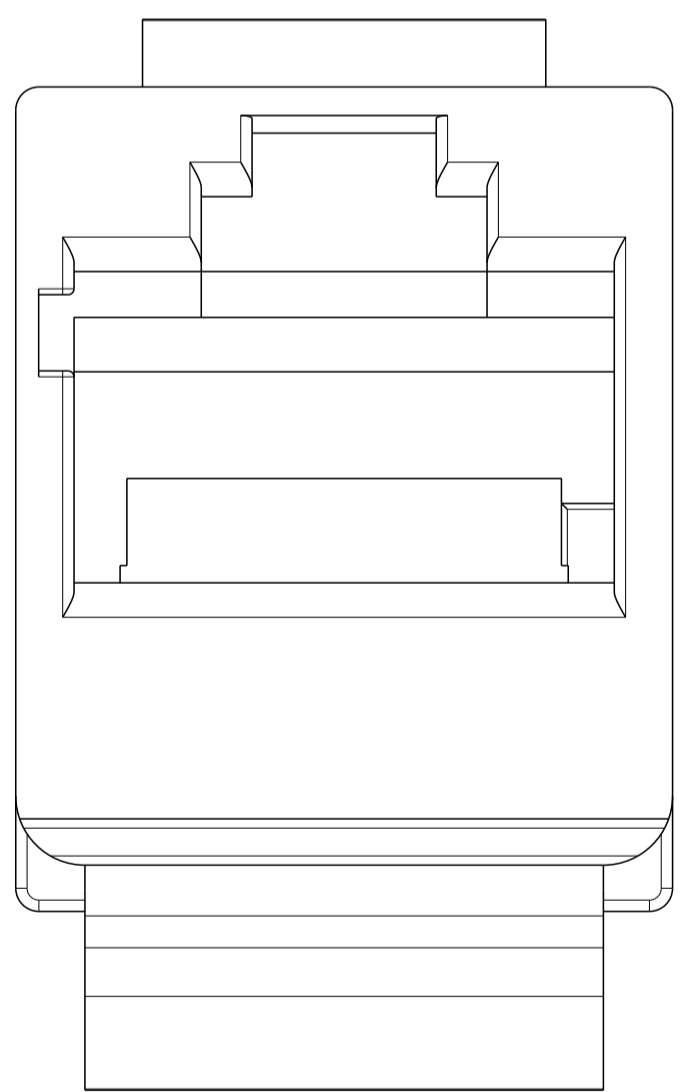
1479794-1 ⚠
KEY 1, RED



1479794-2 ⚠
KEY 2, YELLOW



1479794-3 ⚠
KEY 3, GREEN



1479794-4 ⚠
KEY 4, BLUE

THIS DRAWING IS A CONTROLLED DOCUMENT.		DMN G. GARRETT 13JUL2005	
DIMENSIONS: MM[inches]		CHK C. DOOLEY 13JUL2005	
TOLERANCES UNLESS OTHERWISE SPECIFIED:		APVD C. DOOLEY 13JUL2005	NAME ASSEMBLY, SL 110 JACK, CAT 6, SECURE RJ45
0 PLC ±	1 PLC ±	PRODUCT SPEC	SIZE
2 PLC ±	3 PLC ±	APPLICATION SPEC	CAGE CODE
4 PLC ±	ANGLES ±	WEIGHT	DRAWING NO
FINISH		RESTRICTED TO	A100779C=1479794
MATERIAL		Customer Drawing	SCALE 2:1 SHEET 2 OF 2 REV J1