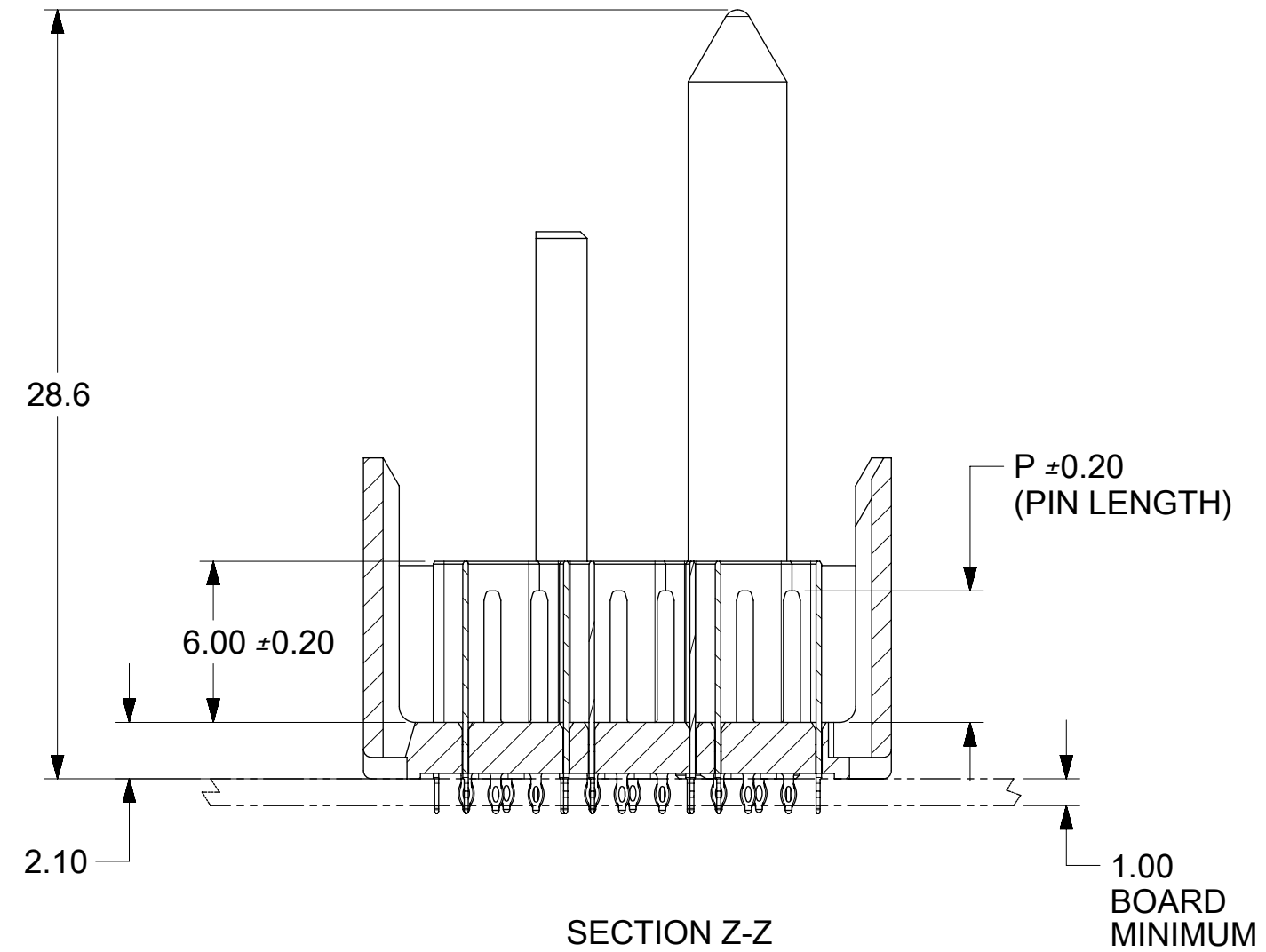


**GUIDE RIGHT
VERSION**

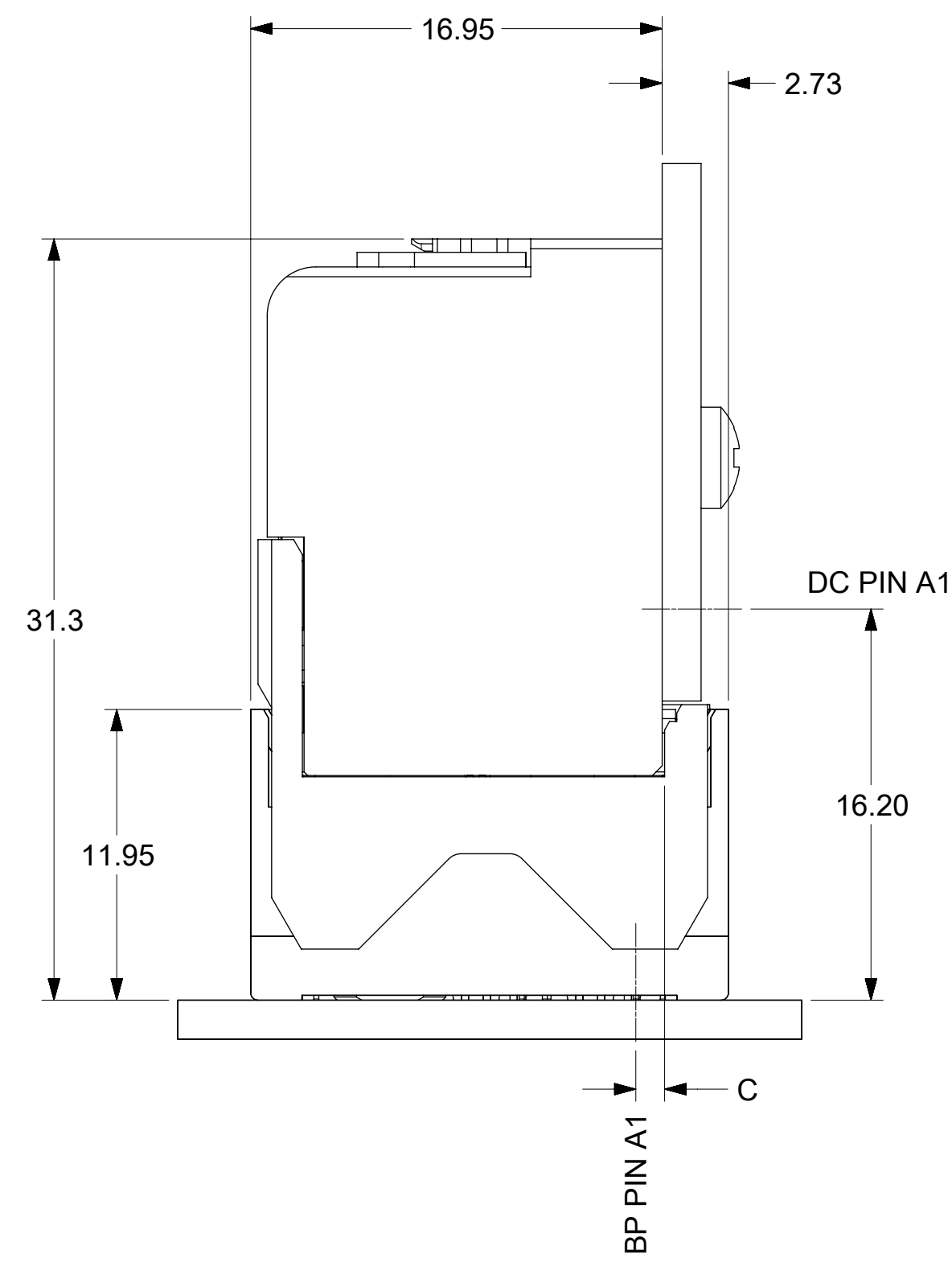
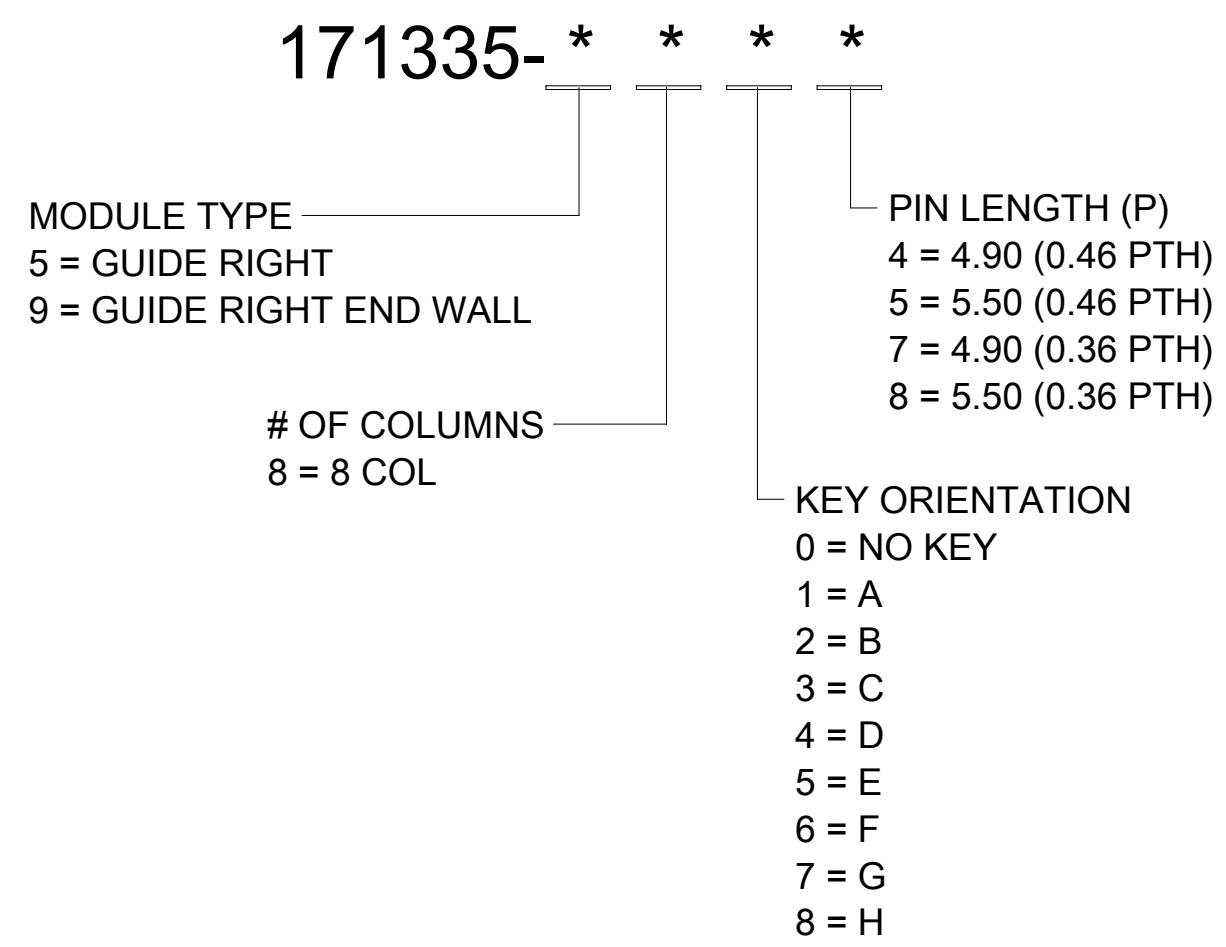
NOTES:

1. MATERIALS: HOUSING - LIQUID CRYSTAL POLYMER (LCP)
GLASS-FILLED, UL94V-0
TERMINALS - HIGH PERFORMANCE COPPER ALLOY
2. FINISH: 30µIN GOLD IN CONTACT AREA.
SELECTIVE TIN ON PCB TAILS.
NICKEL OVERALL.
3. REFER TO MOLEX PRODUCT SPECIFICATION PS-171320-999 FOR PERFORMANCE SPECIFICATIONS.
4. THIS PART CONFORMS TO CLASS B REQUIREMENTS OF MOLEX COSMETIC SPEC PS-45499-002.
5. PRODUCT WILL BE PACKAGED PER PK-78888-082.
6. SEE SHEETS 2, 3, 4, AND 5 FOR HOLE PATTERN AND MATED PART DIMENSIONS.
7. MATES WITH IMPEL DC SERIES NUMBER 171990.
8. REFER TO IMPEL PCB ROUTING GUIDE AS-171320-990 FOR ANTIPAD, ROUTING RECOMMENDATIONS, AND ADDITIONAL PCB INFORMATION.
9. WHEN STACKING MODULES END TO END, THE MINIMUM COLUMN TO COLUMN SPACING IS 2.65mm.
10. THE KEEP-OUT ZONE FOR THE BP HOUSING LENGTH INCLUDES THE NECESSARY SPACE REQUIRED FOR THE MATING DAUGHTERCARD HOUSING.
11. PART IS SUPPLIED WITH ONE 2-56 UNC-2A SCREW.



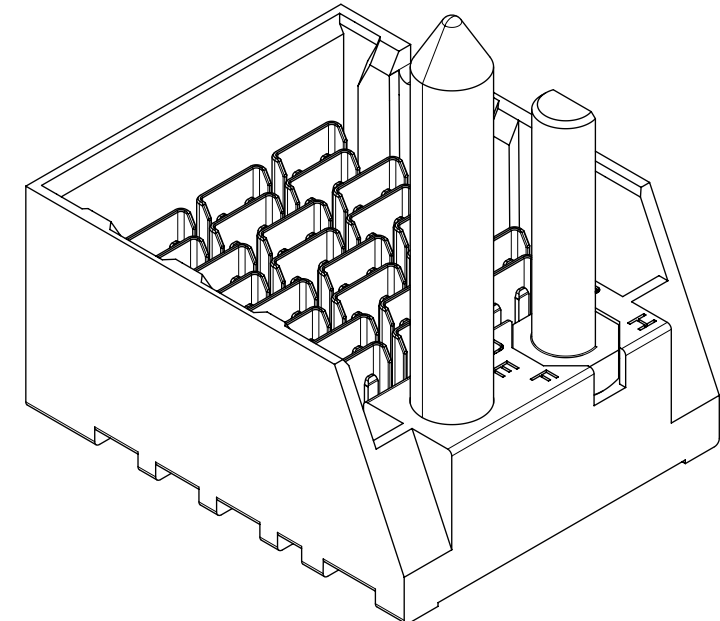
QUALITY SYMBOLS	THIS DRAWING CONTAINS INFORMATION THAT IS PROPRIETARY TO MOLEX ELECTRONIC TECHNOLOGIES, LLC AND SHOULD NOT BE USED WITHOUT WRITTEN PERMISSION				DIMENSION UNITS MM	SCALE 4:1	molex			
	GENERAL TOLERANCES (UNLESS SPECIFIED)							DRWN BY BJANOWIAK	DATE 2012/12/10	IMPEL 3 PAIR BACKPLANE GUIDE RIGHT ASSEMBLY SALES DRAWING
▽ = 0	MIGRATED TO NX EC NO: 171621 DRWN: KUCHILA CHKD: CYLIAW REV / APPR: DWLE01	ANGULAR TOL ± 0.5 °		CHKD BY BJANOWIAK	DATE 2018/01/31	PRODUCT CUSTOMER DRAWING				
▽ = 0		4 PLACES ±	APPR BY BJANOWIAK	DATE 2013/01/02	SERIES 171335		MATERIAL NUMBER SEE CHART	CUSTOMER GENERAL MARKET		
▽ = 0		3 PLACES ±	DRAFT WHERE APPLICABLE MUST REMAIN WITHIN DIMENSIONS		DRAWING SIZE C	THIRD ANGLE PROJECTION	DOCUMENT NUMBER SD-171335-0004	DOC TYPE PSD	DOC PART 001	SHEET NUMBER 1 OF 5
▽ = 0		2 PLACES ± 0.13								
▽ = 0		1 PLACE ± 0.25								
▽ = 0		0 PLACES ±								

MATERIAL NUMBER	NUMBER OF COLUMNS	NUMBER OF DIFF PAIR	DIM "A"	DIM "B"	DIM "C"	DIM "P"	PTH ϕ
171335-58*4	8	24	22.20	13.30	1.10	4.90	0.46±0.05
171335-58*5	8	24	22.20	13.30	1.10	5.50	0.46±0.05
171335-58*7	8	24	22.20	13.30	1.20	4.90	0.36±0.05
171335-58*8	8	24	22.20	13.30	1.20	5.50	0.36±0.05



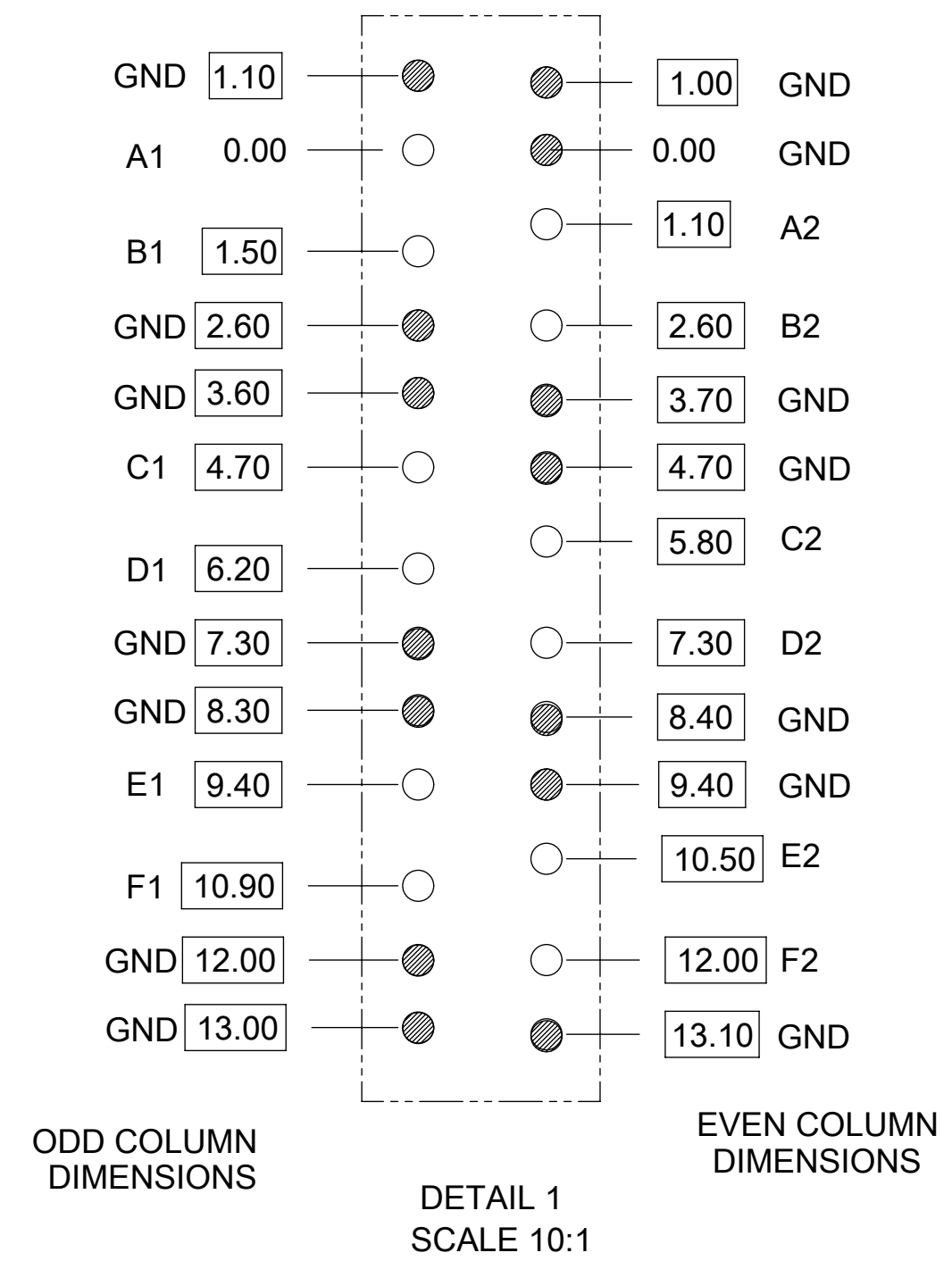
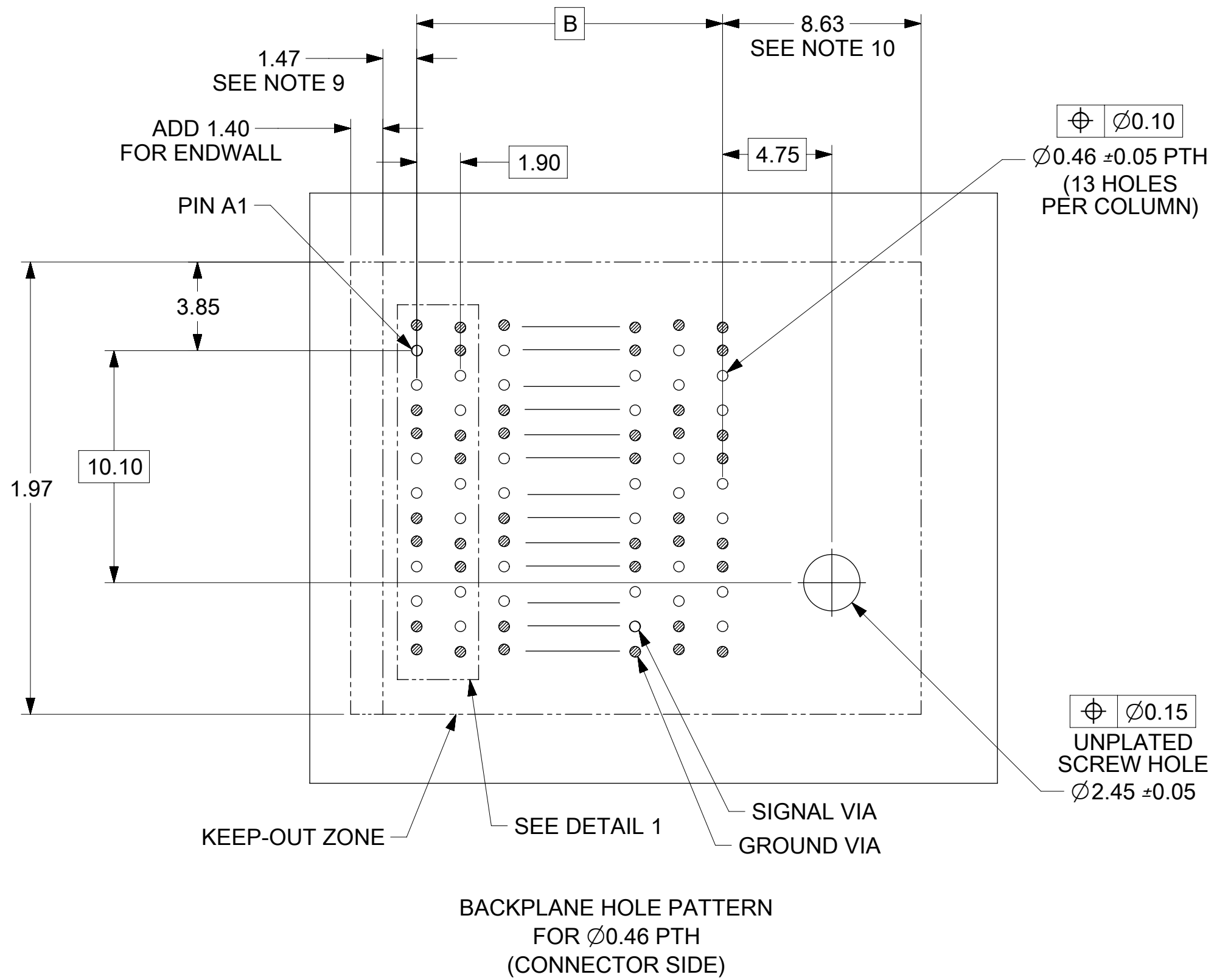
QUALITY SYMBOLS	THIS DRAWING CONTAINS INFORMATION THAT IS PROPRIETARY TO MOLEX ELECTRONIC TECHNOLOGIES, LLC AND SHOULD NOT BE USED WITHOUT WRITTEN PERMISSION											
▽ = 0	MIGRATED TO NX EC NO: 171621 DRWN: KUCHILA CHKD: CYLIAW REV / APPR: DWLE01	2018/01/31 2018/01/31 2018/02/12	GENERAL TOLERANCES (UNLESS SPECIFIED)			DIMENSION UNITS	SCALE	molex IMPEL 3 PAIR BACKPLANE GUIDE RIGHT ASSEMBLY SALES DRAWING				
▽ = 0			ANGULAR TOL ± 0.5 °			MM	4:1					
▽ = 0			4 PLACES ±			DRWN BY	DATE	PRODUCT CUSTOMER DRAWING				
▼ = 0			3 PLACES ±			BJANOWIAK	2012/12/10					
▽ = 0			2 PLACES ± 0.13			CHKD BY	DATE	SERIES MATERIAL NUMBER CUSTOMER 171335 SEE CHART GENERAL MARKET				
▽ = 0			1 PLACE ± 0.25			APPR BY	DATE					
⊠ = 0			0 PLACES ±			BJANOWIAK	2013/01/02	DOCUMENT NUMBER DOC TYPE DOC PART SHEET NUMBER SD-171335-0004 PSD 001 2 OF 5				
■ = 0			DRAFT WHERE APPLICABLE MUST REMAIN WITHIN DIMENSIONS			DRAWING SIZE	THIRD ANGLE PROJECTION					
▽ = 0			A1	C								

MATERIAL NUMBER	NUMBER OF COLUMNS	NUMBER OF DIFF PAIR	DIM "A"	DIM "B"	DIM "C"	DIM "P"	PTH ϕ
171335-98*4	8	24	23.60	13.30	1.10	4.90	0.46±0.05
171335-98*5	8	24	23.60	13.30	1.10	5.50	0.46±0.05
171335-98*7	8	24	23.60	13.30	1.20	4.90	0.36±0.05
171335-98*8	8	24	23.60	13.30	1.20	5.50	0.36±0.05

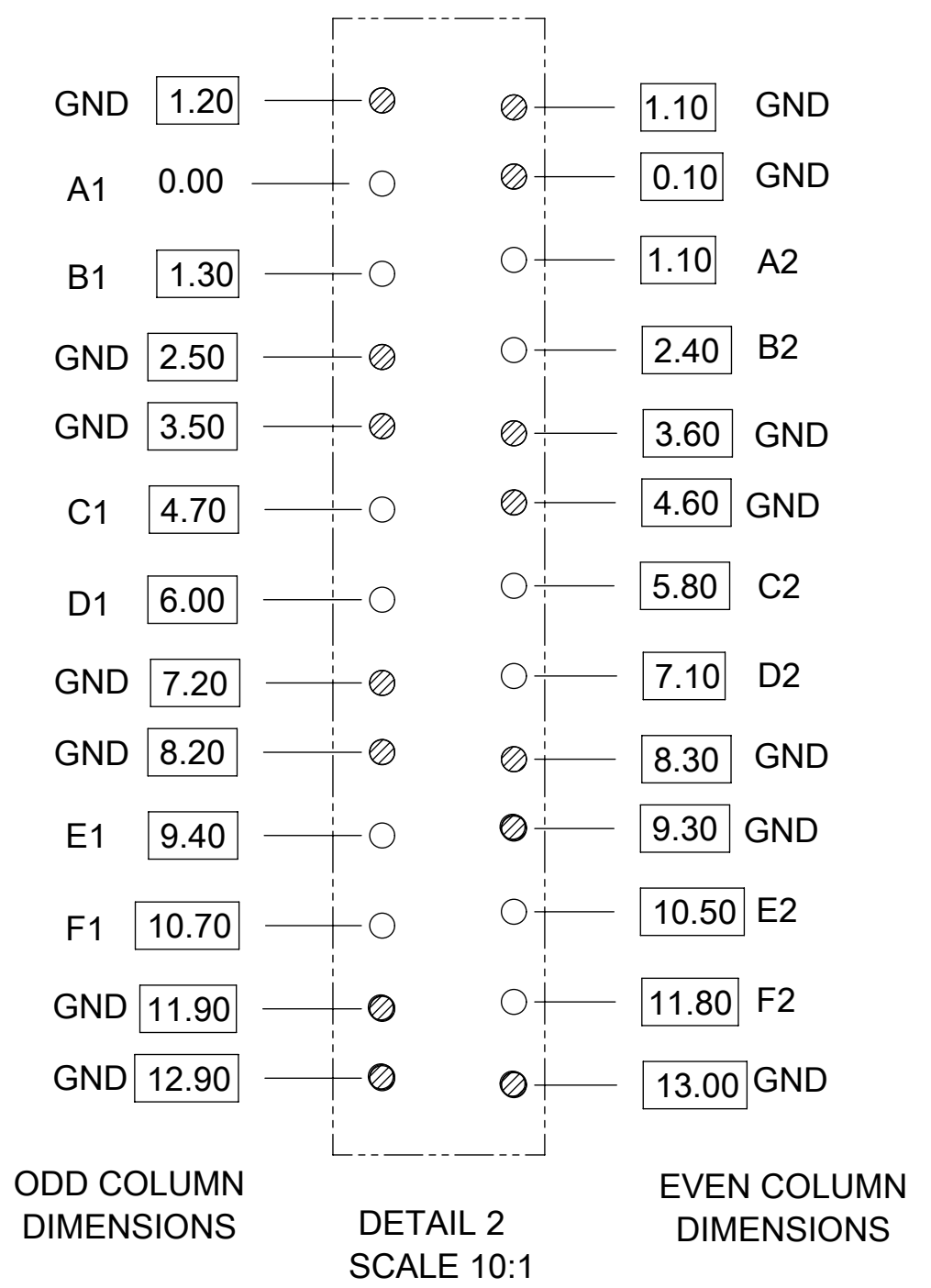
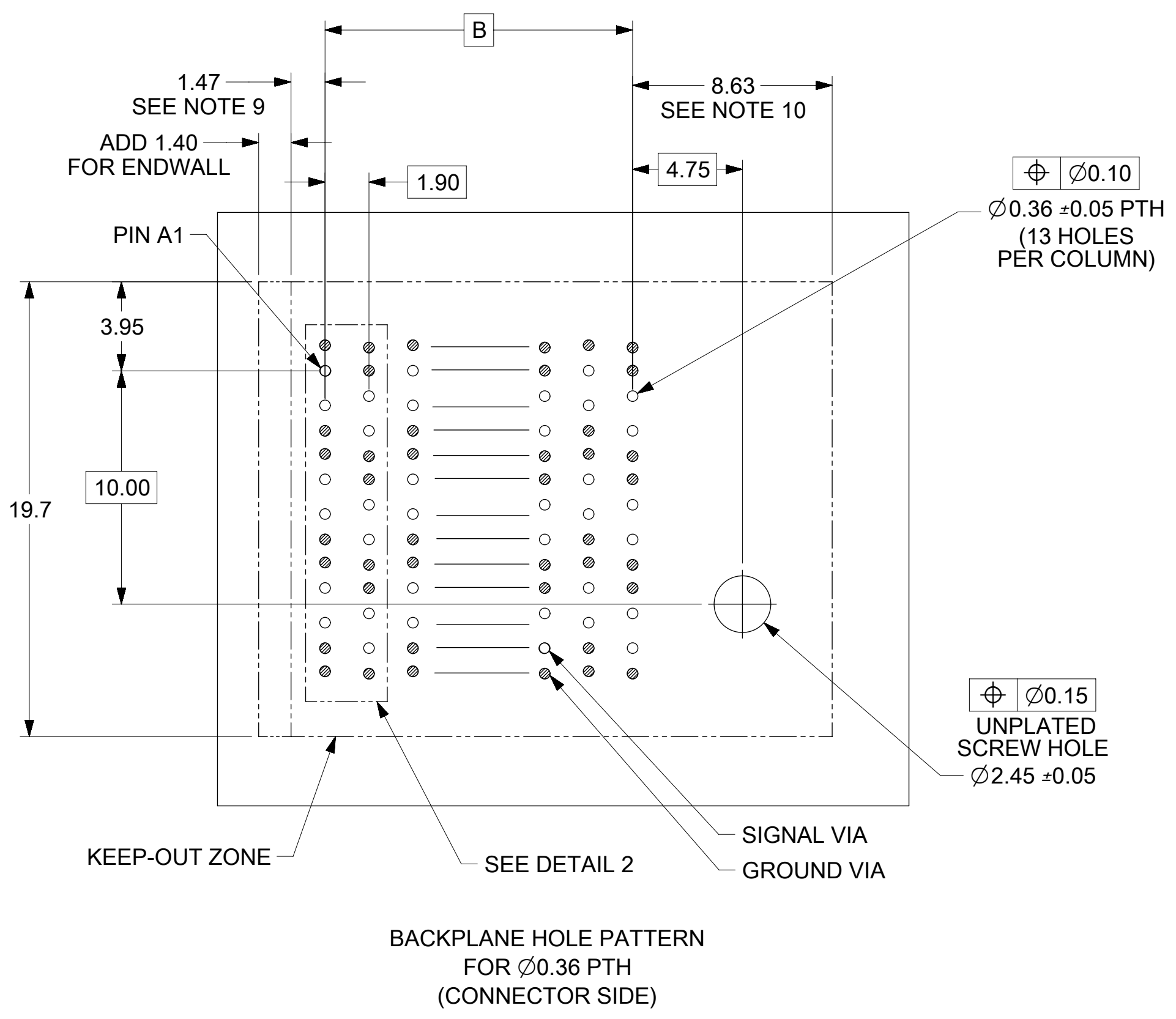


GUIDE RIGHT
END WALL VERSION

QUALITY SYMBOLS		THIS DRAWING CONTAINS INFORMATION THAT IS PROPRIETARY TO MOLEX ELECTRONIC TECHNOLOGIES, LLC AND SHOULD NOT BE USED WITHOUT WRITTEN PERMISSION											
∇ = 0	MIGRATED TO NX EC NO: 171621 DRWN: KUCHILA CHKD: CYLIAN REV / APPR: DWLE01	GENERAL TOLERANCES (UNLESS SPECIFIED)		DIMENSION UNITS		SCALE							
∇ = 0		ANGULAR TOL \pm 0.5 °		MM		3:1							
∇ = 0		4 PLACES \pm		DRWN BY		DATE		IMPEL 3 PAIR BACKPLANE GUIDE RIGHT ASSEMBLY SALES DRAWING					
\blacktriangledown = 0		3 PLACES \pm		BJANOWIAK		2012/12/10							
∇ = 0		2 PLACES \pm 0.13		CHKD BY		DATE							
\blacktriangledown = 0		1 PLACE \pm 0.25		BJANOWIAK		2018/01/31							
\boxtimes = 0		0 PLACES \pm		APPR BY		DATE							
\blacksquare = 0		DRAFT WHERE APPLICABLE MUST REMAIN WITHIN DIMENSIONS		C		THIRD ANGLE PROJECTION		PRODUCT CUSTOMER DRAWING					
∇ = 0		A1		DRAWING SIZE		C		SERIES		MATERIAL NUMBER		CUSTOMER	
				C		THIRD ANGLE PROJECTION		171335		SEE CHART		GENERAL MARKET	
								DOCUMENT NUMBER		DOC TYPE		DOC PART SHEET NUMBER	
								SD-171335-0004		PSD		001 3 OF 5	



QUALITY SYMBOLS	THIS DRAWING CONTAINS INFORMATION THAT IS PROPRIETARY TO MOLEX ELECTRONIC TECHNOLOGIES, LLC AND SHOULD NOT BE USED WITHOUT WRITTEN PERMISSION																
	MIGRATED TO NX	EC NO:	171621	DRWN:	KUCHILA	CHKD:	CYLIAW	REV:	APPR:	DWLEED1	DATE:	2018/02/12					
GENERAL TOLERANCES (UNLESS SPECIFIED)		DIMENSION UNITS		SCALE													
ANGULAR TOL ± 0.5 °	MM		4:1														
4 PLACES ±	DRWN BY		DATE		IMPEL 3 PAIR BACKPLANE GUIDE RIGHT ASSEMBLY SALES DRAWING												
3 PLACES ±	BJANOWIAK		2012/12/10														
2 PLACES ± 0.13	CHKD BY		DATE		PRODUCT CUSTOMER DRAWING												
1 PLACE ± 0.25	2018/01/31		2018/01/31														
0 PLACES ±	APPR BY		DATE		<table border="1"> <tr> <td>SERIES</td> <td>MATERIAL NUMBER</td> <td>CUSTOMER</td> </tr> <tr> <td>171335</td> <td>SEE CHART</td> <td>GENERAL MARKET</td> </tr> </table>					SERIES	MATERIAL NUMBER	CUSTOMER	171335	SEE CHART	GENERAL MARKET		
SERIES	MATERIAL NUMBER	CUSTOMER															
171335	SEE CHART	GENERAL MARKET															
DRAFT WHERE APPLICABLE MUST REMAIN WITHIN DIMENSIONS	BJANOWIAK		2013/01/02		<table border="1"> <tr> <td>DOCUMENT NUMBER</td> <td>DOC TYPE</td> <td>DOC PART</td> <td>SHEET NUMBER</td> </tr> <tr> <td>SD-171335-0004</td> <td>PSD</td> <td>001</td> <td>4 OF 5</td> </tr> </table>					DOCUMENT NUMBER	DOC TYPE	DOC PART	SHEET NUMBER	SD-171335-0004	PSD	001	4 OF 5
DOCUMENT NUMBER	DOC TYPE	DOC PART	SHEET NUMBER														
SD-171335-0004	PSD	001	4 OF 5														
	DRAWING SIZE		THIRD ANGLE PROJECTION														
	C																



BACKPLANE HOLE PATTERN FOR Ø0.36 PTH (CONNECTOR SIDE)

QUALITY SYMBOLS ▽ = 0 ▽ = 0 ▽ = 0 ▼ = 0 ▽ = 0 ⊠ = 0 ■ = 0 ▽ = 0	THIS DRAWING CONTAINS INFORMATION THAT IS PROPRIETARY TO MOLEX ELECTRONIC TECHNOLOGIES, LLC AND SHOULD NOT BE USED WITHOUT WRITTEN PERMISSION												
	MIGRATED TO NX EC NO: 171621 DRWN: KUCHILA CHKD: CYLIW REV: APPR: DWLE01	2018/01/31		2018/01/31		2018/02/12		GENERAL TOLERANCES (UNLESS SPECIFIED) ANGULAR TOL ± 0.5 °			DIMENSION UNITS: MM SCALE: 4:1		
		4 PLACES ±		3 PLACES ±		2 PLACES ± 0.13		1 PLACE ± 0.25		0 PLACES ±			
		DRAWN BY: BJANOWIAK		DATE: 2012/12/10		CHKD BY: [blank]		DATE: 2018/01/31		APPR BY: BJANOWIAK		DATE: 2013/01/02	
		DRAWING SIZE: C		THIRD ANGLE PROJECTION		SERIES: 171335		MATERIAL NUMBER: SEE CHART		CUSTOMER: GENERAL MARKET		PRODUCT CUSTOMER DRAWING	
		DOCUMENT NUMBER: SD-171335-0004		DOC TYPE: PSD		DOC PART: 001		SHEET NUMBER: 5 OF 5					
	DRAFT WHERE APPLICABLE MUST REMAIN WITHIN DIMENSIONS										DRAFT WHERE APPLICABLE MUST REMAIN WITHIN DIMENSIONS		
	molex® IMPEL 3 PAIR BACKPLANE GUIDE RIGHT ASSEMBLY SALES DRAWING												
	PRODUCT CUSTOMER DRAWING												
	RELEASE STATUS: P1 RELEASE DATE: 2018/02/12 10:29:13												