

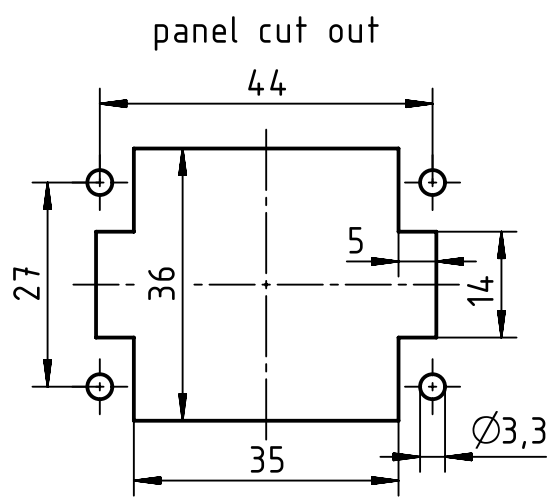
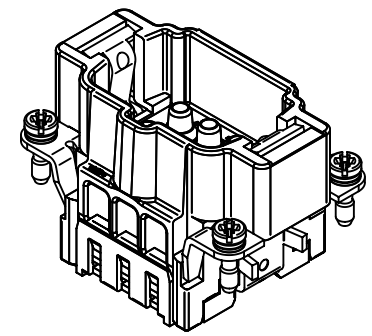
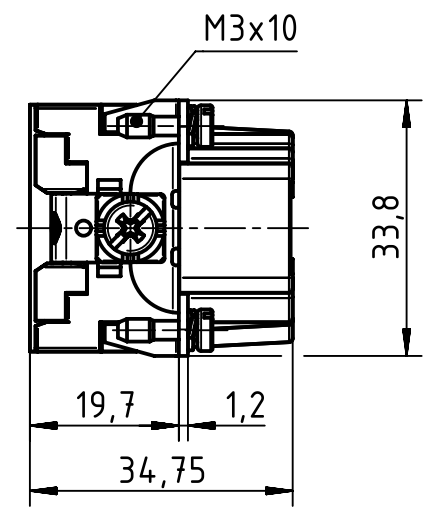
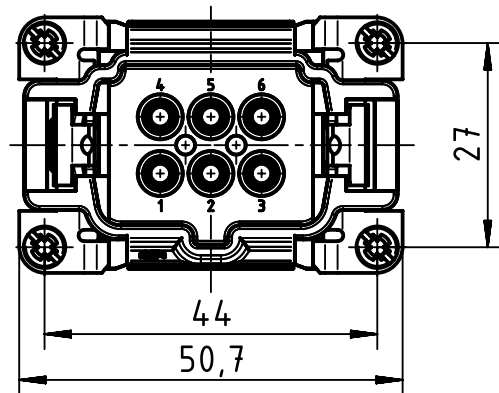
1 2 3 4 5 6


A

B

C

D



	All Dimensions in mm Original Size DIN A4		Scale 1:1		Free size tol.		Ref.			
	All rights reserved Department EL PD - DE		Created by HOLLERT		Inspected by PRIESTER		Standardisation TIEMANNA			
HARTING Electric GmbH & Co. KG D-32339 Espelkamp			Title Han High Temp 6E Crimp Male				Date 2016-08-31		State Final Release	
			Type TB				Number 09 33 806 2604			
							Doc-Key / ECM-Nr. 100627321/UGD/001/A 500000105233		Rev. A	
									Page 1/1	