

## CTCA1608F500

### SPECIFICATIONS

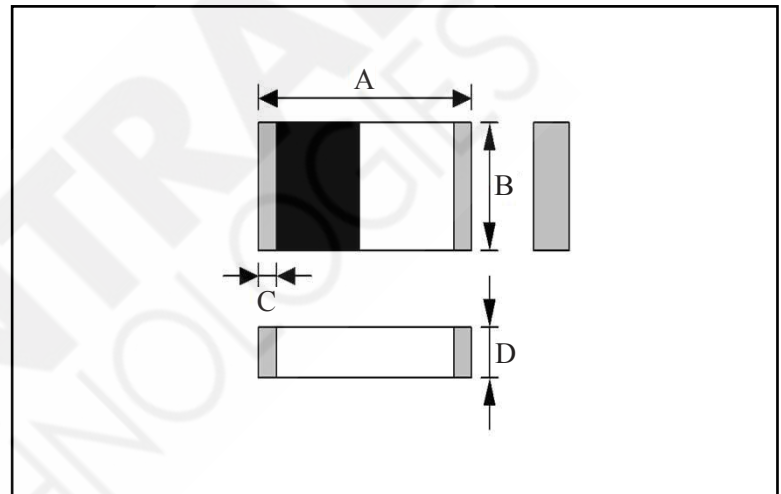
\*Depends on PCB layout.

Part Number	Impedance ( $\Omega$ )	Test Freq. (GHz)	*Bandwidth (MHz)	*Peak Gain (dBi)	VSWR (Max.)	Polarization (Linear)
CTCA1608F500	50	2.4	100	2-3	2	Linear



### PHYSICAL DIMENSIONS

Size	A	B	C	D
mm	1.6±0.2	0.8±0.2	0.5±0.2	0.5±0.2
inches	0.06±0.008	0.03±0.008	0.02±0.008	0.02±0.008



### CHARACTERISTICS

**Description:** Low temperature co-fired ceramics (LTCC) multilayer chip antenna

**Applications:** WLAN, home RF, bluetooth modules, etc.

**Operating Temperature:** -25°C to +125°C

**Storage Temperature:** 20°C to 25°C; R.H. 65% (for reference)

**Marking:**

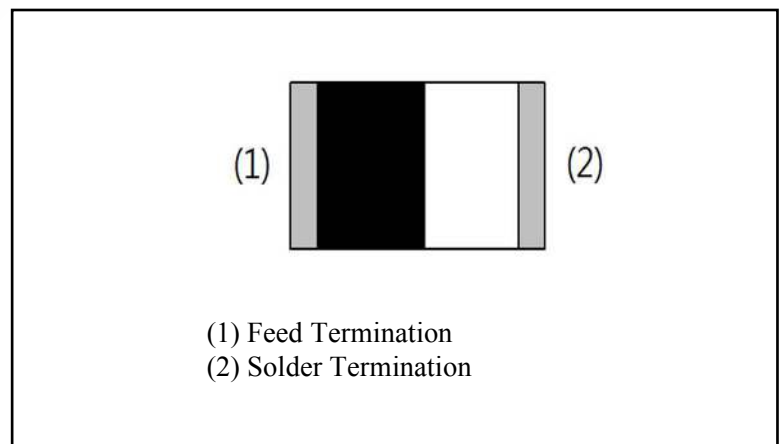


**Miscellaneous:** RoHS Compliant

**Additional Information:** Additional electrical & physical information available upon request

**Samples available. See website for ordering information.**

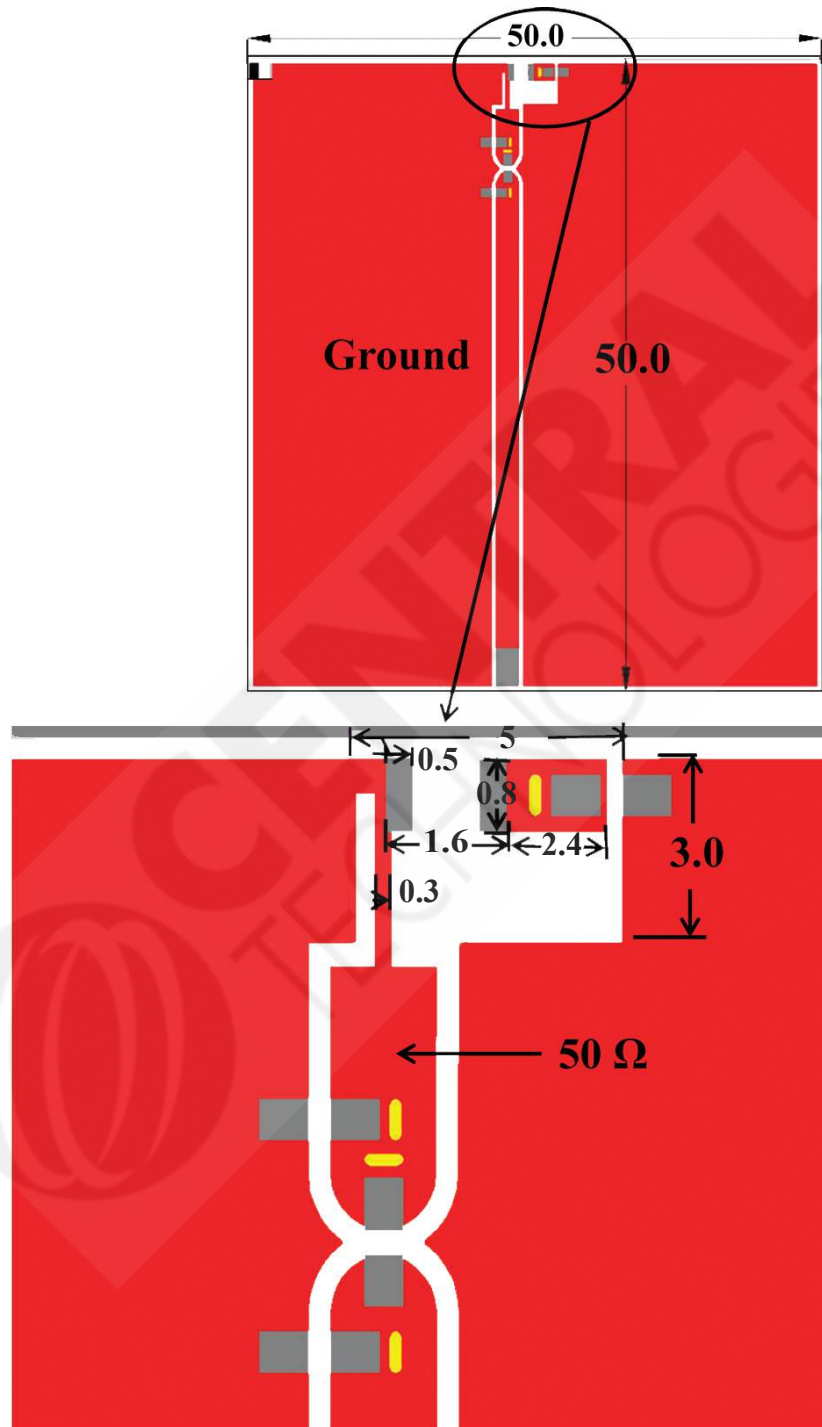
### TERMINAL CONFIGURATION



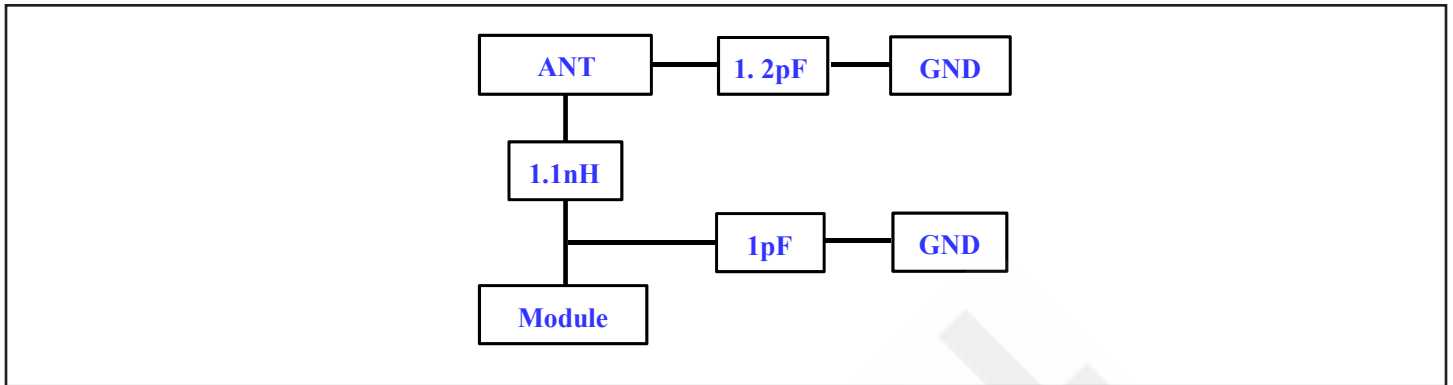
# Multilayer Chip Antenna

## PC BOARD LAYOUT

Dimensions: mm



## MATCHING CIRCUIT



## RETURN LOSS

