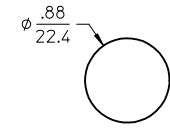
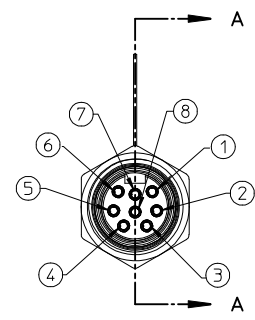
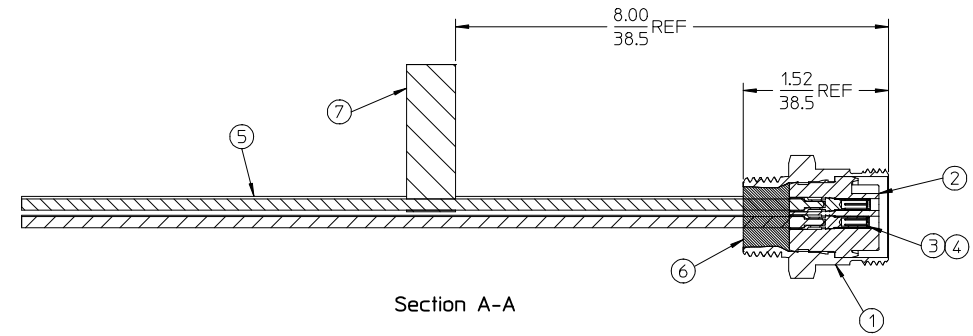
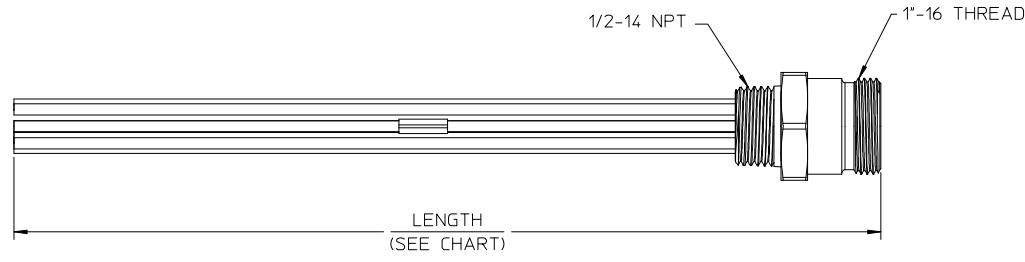
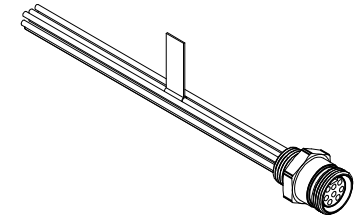


PART NUMBER	ENGINEERING NO.	LENGTH
1300140067	2R8004A20F060	6' 0" +2.19 - 0 [1.8M +55.6 - 0]
1300140061	2R8004A20A120	12' 0" +3.50 - 0 [3.7M +88.9 - 0]



REF. KNOCK-OUT HOLE



- NOTES:
1. MATERIAL: SEE TABLE
 2. FINISHES: SEE TABLE
 3. CABLE ASSEMBLIES ARE BAGGED SEPERATELY IN POLY BAGS WITH BARCODE LABEL ATTACHED TO OUTSIDE OF BAG
 4. WRAP LABEL IS MARKED WITH P/N, DATE CODE VOLTAGE & AMPERAGE
 5. MATES WITH: MINI CHANGE, C-SIZE 8 POLE CORDSET
 6. ELECTRICAL SPECIFICATIONS:
VOLTAGE RATING: 600V
CURRENT RATING: 7 AMPS
 7. ASSEMBLY IS RoHS COMPLIANT

1	ORANGE
2	BLUE
3	WHITE/BLACK
4	BLACK
5	WHITE
6	RED
7	GREEN/YELLOW-GND
8	RED/BLACK

WIRING DIAGRAM

ITEM	QTY.	DESCRIPTION	MATERIAL	FINISH
7	1	LABEL	PLASTIC FILM	BLACK/YELLOW
6	1	POTTING	EPOXY	
5	7	WIRE, 16 AWG (UL 1015)	PVC INSULATED	SEE WIRE DIAGRAM
4	8	SOCKET SLEEVE	ST. STEEL	
3	8	CONTACT SOCKET	BRASS	GOLD PLATED
2	1	INSERT	PVC	YELLOW
1	1	RECEPTACLE SHELL	ZINC ALLOY	E-COAT, BLACK

RELEASED EC NO: MNA2009-0813 DRAWN: BRUPERT CHKD: BRUPERT APPR: J. MURPHY	2009/06/09	DESCRIPTION 2009/06/10	QUALITY SYMBOLS
	2009/06/09		▽=0
			▽=0

GENERAL TOLERANCES (UNLESS SPECIFIED)	
mm	INCH
4 PLACES ± .005	± .0005
3 PLACES ± .005	± .0005
2 PLACES ± .005	± .0005
1 PLACE ± 0.3	± .012
ANGULAR ± 1/2°	

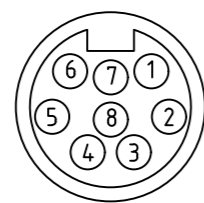
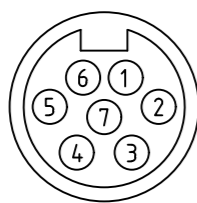
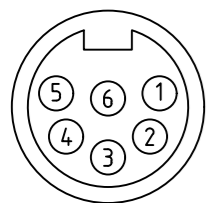
DRAFT WHERE APPLICABLE MUST REMAIN WITHIN DIMENSIONS

DIMENSION STYLE	
IN/MM	
DRAWN BY	DATE
BRUPERT	2009/04/06
CHECKED BY	DATE
B. WOODMAN	2009/04/06
APPROVED BY	DATE
J. MURPHY	2009/04/06

SCALE	DESIGN UNITS	THIRD ANGLE PROJECTION
1:1	INCH	
TITLE MINI-CHANGE CORD ASSY FEMALE, B-SIZE 8 POLE		
MOLEX INCORPORATED		SHEET NO. 1 OF 1
MATERIAL NO. SEE CHART		
DOCUMENT NO. SD-130014-007		

THIS DRAWING CONTAINS INFORMATION THAT IS PROPRIETARY TO MOLEX INCORPORATED AND SHOULD NOT BE USED WITHOUT WRITTEN PERMISSION

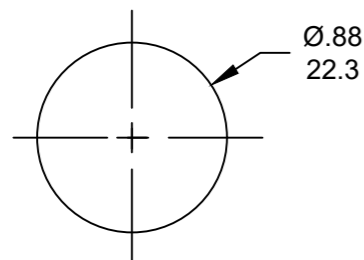
FACE VIEW-FEMALE INSERT



1 ORANGE
2 BLUE
3 BLACK
4 WHITE
5 RED
6 GREEN/YELLOW

1 WHITE/BLACK
2 BLACK
3 WHITE
4 RED
5 ORANGE
6 BLUE
7 GREEN/YELLOW

1 ORANGE
2 BLUE
3 WHITE/BLACK
4 BLACK
5 WHITE
6 RED
7 GREEN/YELLOW
8 RED/BLACK



REF. KNOCKOUT HOLE

NOTES:

- MATERIAL: AS NOTED
- FINISH: AS NOTED
- ELECTRICAL:
VOLTAGE: 6 THRU 8P 600V PER UL 2238
6P 400V PER IEC 60664
7 & 8P 320V PER IEC 60664
CURRENT: 6 & 7 POLE: 8A
8 POLE: 7A
- TEMP RATING: -20°TO +105°C
- PROTECTION: IP67 (WHEN MATED)
- UL RECOGNIZED, FILE: E152210
CSA CERTIFIED, FILE: LR6837 (B)
- ALL DIMENSIONS ARE FOR REFERENCE UNLESS TOLERANCED OR NOTED OTHERWISE

PART NO. MATRIX

2R8004A20M005

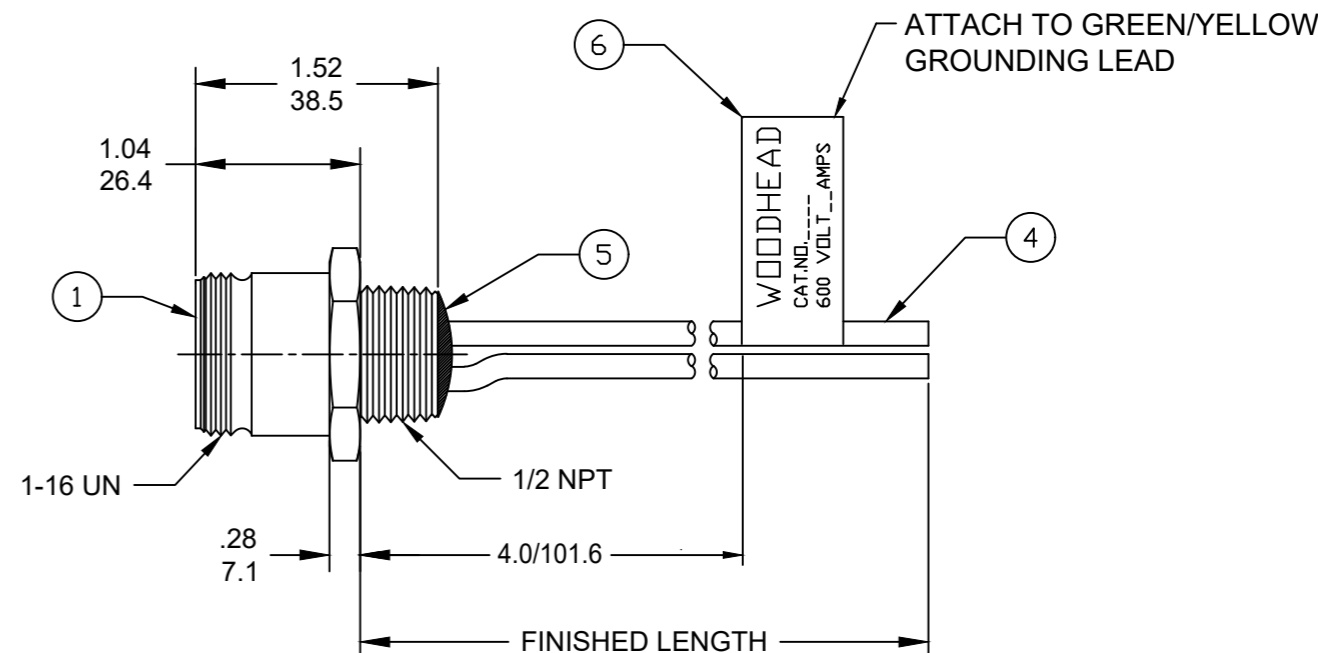
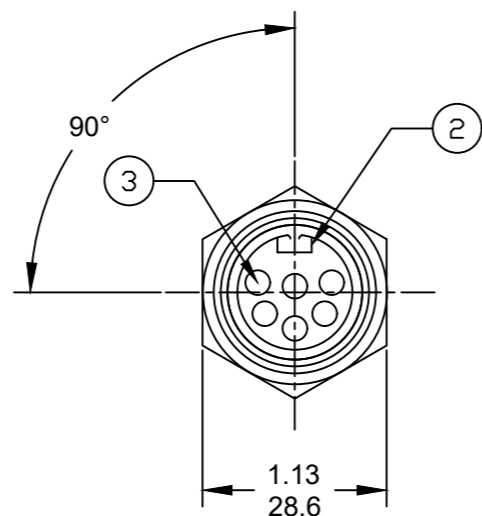
POLES
6-8

FINISHED LENGTH:
A120= 12 IN.
F020= 2 FEET
F200= 20 FEET

M005= 0.5 METER
M010= 1 METER
M100= 10 METER

CABLE LENGTH TOLERANCES

- >.3M [1FT]: +19mm-0 [+.75in-0]
- .3 - .9M [1 - 3FT]: +44.5mm-0 [+1.75in-0]
- .9 - 1.8M [3 - 6FT]: +55.6mm-0 [+2.19in-0]
- 1.8 - 3.7M [6 - 12FT]: +88.9mm-0 [+3.50in-0]
- 3.7 - 7.3M [12 - 24FT]: +165.1mm-0 [+6.50in-0]
- 7.3-14.6M [24 - 48FT]: +317.5mm-0 [+12.50in-0]
- 14.6 - 30.5M [48-100FT]: +622.3mm-0 [+24.50in-0]
- OVER 30M [100FT] +2% OF FINISHED LENGTH



(B) PART NO	ENGINEERING NO.	FINISHED LENGTH
1300140015	2R6004A20A120	12 IN [0.3M]
1300140042	2R7004A20F060	6 FT [1.8M]
1300140158	2R8004A20M040	4.0M [13 FT 1 IN]

ITEM	COMPONENT	MATERIAL	FINISH
6	FLAG LABEL	VINYL	BLACK/YELLOW
5	POTTING MATERIAL	EPOXY	
4	WIRE, 16 AWG UL (1015)	PVC INSULATION	SEE FACE VIEW
3	CONTACT SOCKET	COPPER ALLOY	GOLD PLATED
2	INSERT	TPE	YELLOW (B)
1	RECEPTACLE SHELL	ZINC DIE-CAST	BLACK

FUNCTIONAL SYMBOLS	THIS DRAWING CONTAINS INFORMATION THAT IS PROPRIETARY TO MOLEX ELECTRONIC TECHNOLOGIES, LLC AND SHOULD NOT BE USED WITHOUT WRITTEN PERMISSION			
	DIMENSION UNITS	SCALE		
$F_A=0$ $F_C=0$ $F_P=0$	INCH/MM	---	CURRENT REV DESC: ITEM #2 WAS PVC, CSA ADDED IN NOTES & MATERIAL TABLE MODIFIED EC NO: 641453 DRWN: ABENJAMINLW 2020/05/18 CHK'D: RSTONE 2020/07/20 APPR: BWOODMAN 2020/07/27	
	GENERAL TOLERANCES (UNLESS SPECIFIED)			
DIVISIONAL SYMBOLS	4 PLACES	±---	INITIAL REVISION: DRWN: RSTONE 2016/12/07 APPR: BWOODMAN 2017/01/16	
	3 PLACES	±---		
ANGULAR TOL ± --- °		THIRD ANGLE PROJECTION		DOCUMENT NUMBER: SD-130014-009 DOC TYPE: PSD DOC PART: 001 REVISION: B
DRAFT WHERE APPLICABLE MUST REMAIN WITHIN DIMENSIONS		DRAWING: B-SIZE	SERIES: 130014	SHEET NUMBER: 1 OF 1