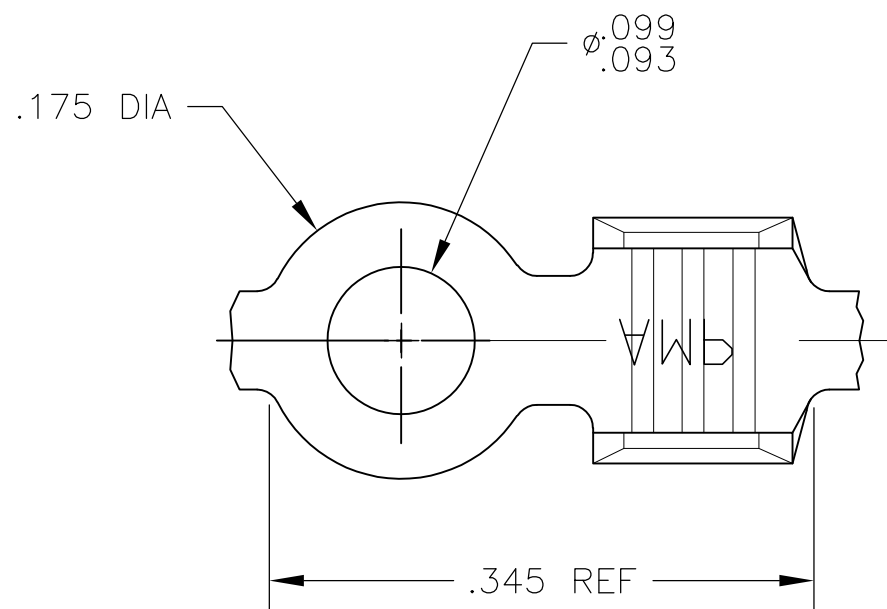


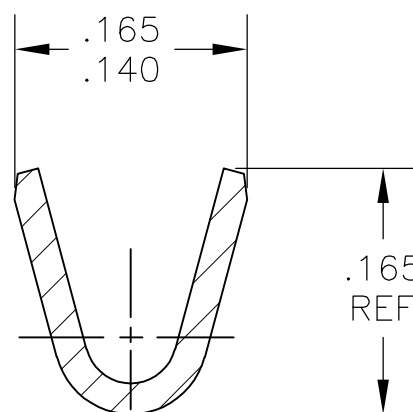
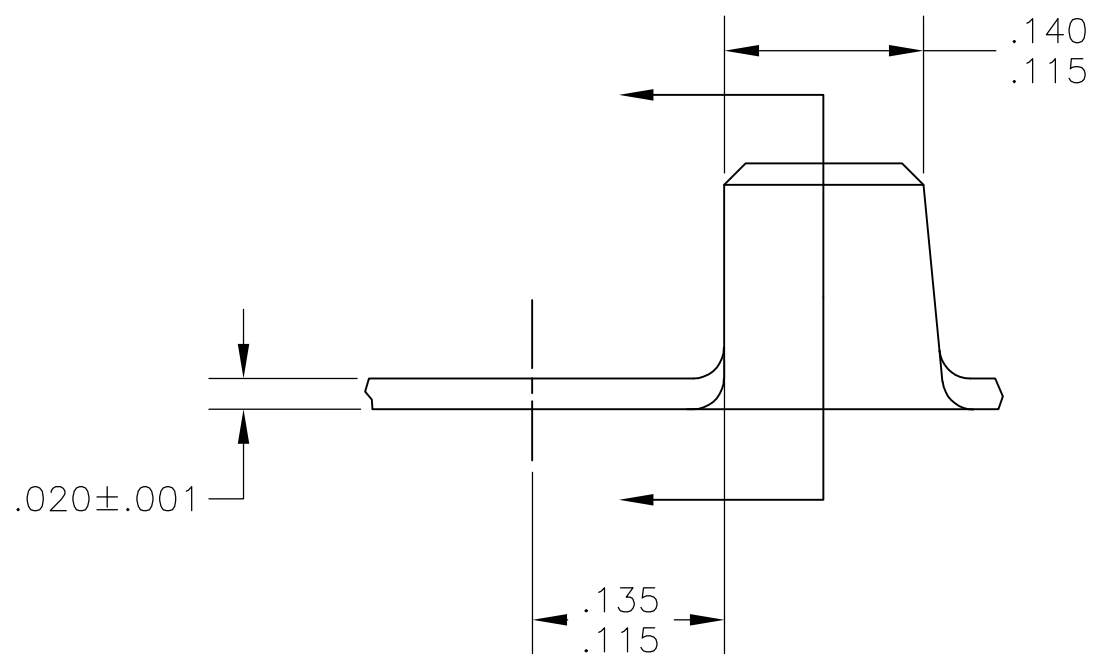
THIS DRAWING IS UNPUBLISHED. RELEASED FOR PUBLICATION

© COPYRIGHT BY TYCO ELECTRONICS CORPORATION. ALL RIGHTS RESERVED.

LOC	DIST	REVISIONS					
G	50	P	LTR	DESCRIPTION	DATE	DWN	APVD
			L1	REDRAWN PER ECR 08-027116	27OCT08	JR	DD



- 1 CONTINUOUS STRIP ON REELS
- 2 WIRE SIZE IS #18-#14 AWG



41006
PART NO

THIS DRAWING IS A CONTROLLED DOCUMENT.		DWN jr_ruth 27OCT08	Tyco Electronics Corporation Harrisburg, PA 17105-3608			
DIMENSIONS: INCHES	TOLERANCES UNLESS OTHERWISE SPECIFIED:	CHK D DECKER 27OCT08	NAME RING			
	0 PLC ± -	APVD D DECKER 27OCT08	PRODUCT SPEC -			
	1 PLC ± -		APPLICATION SPEC -			
	2 PLC ± -		SIZE	CAGE CODE	DRAWING NO	RESTRICTED TO
	3 PLC ± .010		A3	00779	G-41006	-
	4 PLC ± -		CUSTOMER DRAWING			
	ANGLES ± 5°		SCALE	SHEET	REV	
MATERIAL 082 BRASS	FINISH NONE	WEIGHT -	8:1	1 OF 1	L1	