

THIS DRAWING IS UNPUBLISHED. RELEASED FOR PUBLICATION  
 © COPYRIGHT - By - ALL RIGHTS RESERVED.

LOC	DIST	REVISIONS					
		P	LTR	DESCRIPTION	DATE	DWN	APVD
			A1	REVISED PER ECO-11-005150	21MAR11	RK	HMR

8. PART NUMBER INFORMATION

CONNECTOR	TE CONNECTIVITY PART NUMBER	ELCON PART NUMBER	TERMINATION TYPE	PC TAIL LENGTH DIM "A"	RECOMMENDED MOUNTING BOARD	MATING BOARD
SOCKET	6650384-1	286-0052-12101	SOLDER TAIL (SHORT)	3.56 [ .140 ] 2.54 [ .100 ]	1.6 [ .062 ] THICK	1.6 [ .062 ] THICK
SOCKET	6650384-2	286-0052-11301	SOLDER TAIL COMPLIANT	5.08 [ .200 ] 4.06 [ .160 ]	3.2 [ .125 ] OR THINNER	1.6 [ .062 ] THICK
SOCKET	6650384-3	287-0032-12301	SOLDER TAIL (STANDARD)	5.08 [ .200 ] 4.06 [ .160 ]	3.2 [ .125 ] OR THINNER	1.6 [ .062 ] THICK

NOTES: UNLESS OTHERWISE SPECIFIED;

1. PART NUMBER CHANGES AND OR DESIGN CHANGES AFFECTING ITEM INTERCHANGEABILITY REQUIRE PRIOR ELCON APPROVAL AND AUTHORIZATION BY REVISION TO THIS DRAWING.

2. MATERIALS:

INSULATORS: THERMOPLASTIC, GLASS REINFORCED, COLOR-BLACK, UL94V-0 FLAMMABILITY RATED.

CONTACTS: PHOSPHOR-BRONZE ALLOY.

3. FINISHES:

CONTACTS: SELECTIVE GOLD PLATE PER MIL-G-45204 TYPE II, GRADE C, CLASS 0. 000030" MIN. THK, OVER NICKEL PER QQ-N-290, CLASS 2, .000040" MIN. THICKNESS.

TERMINALS: TIN PLATED, MATTE FINISH, .000100" MINIMUM THICKNESS.

4 SOCKETS ACCEPT 1.6 [ .062 ] ± 10% THK PC BOARD.

5 EXAMPLE PCB CONFIGURATION.

6 THIS 3 X 2 SEGMENT CONFIGURATION SHOWN IS FOR REFERENCE ONLY. COMBINATION OF MULTIPLE NUMBERS OF 2 AND 3 SEGMENT MODULES COULD BE USED PER USER PREFERENCE. OVERALL COMBINATION SHOULD NOT EXCEED 8" IN LENGTH.


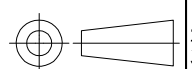
7 ITEMS PROVIDED TO THIS SPECIFICATION TO BE PERMANENTLY IDENTIFIED PER THE FOLLOWING IDENTIFIER:

YEAR WEEK

ELCON PART NO. & REV DATE CODE (e.g. 0505)

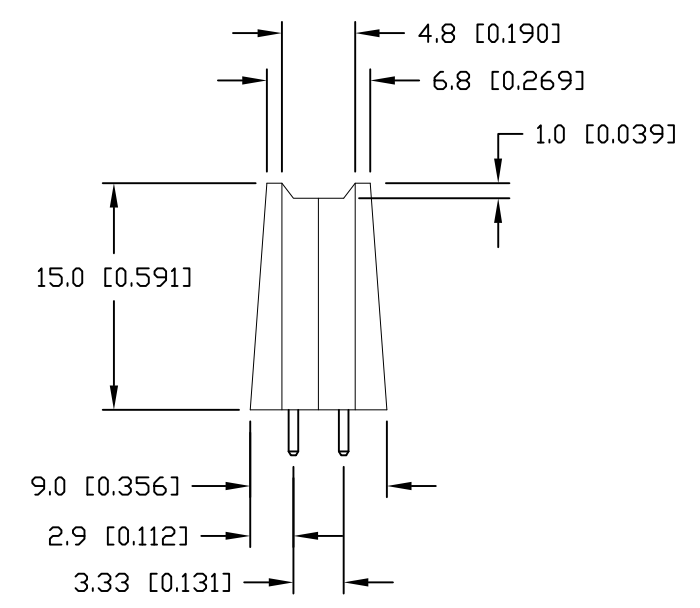
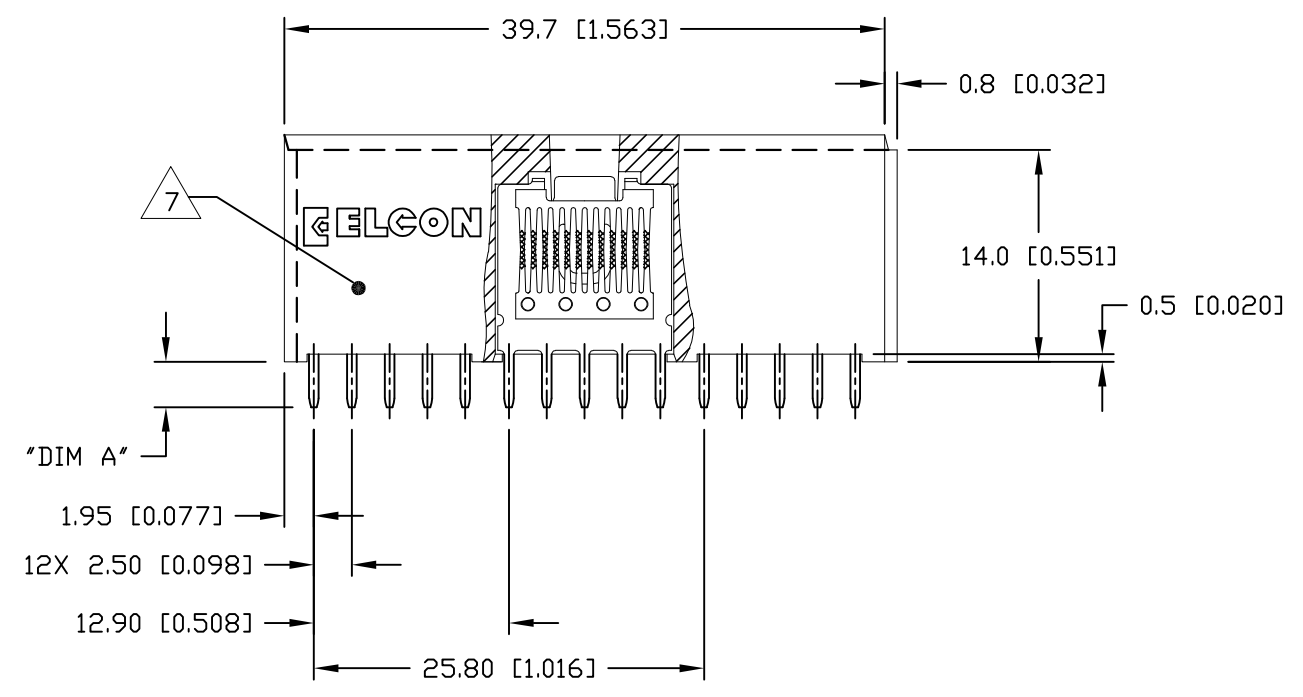
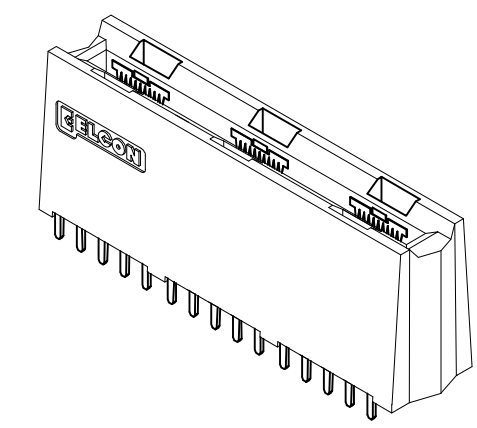
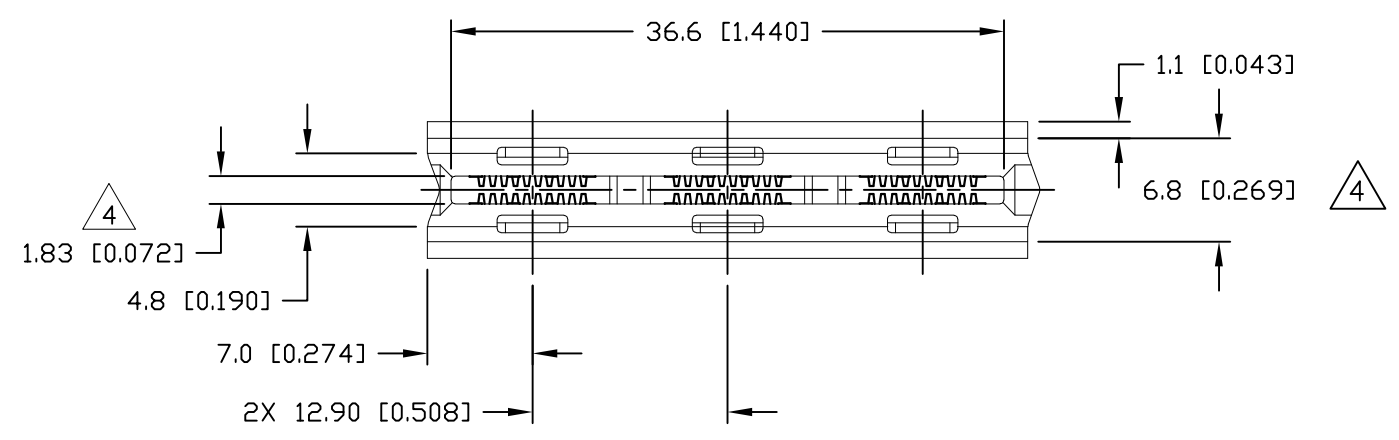
XXX-XXXX-XXXXX [ ]


XXXX

THIS DRAWING IS A CONTROLLED DOCUMENT.		DWN R. F. A. 01/05/05	 TE Connectivity		
DIMENSIONS: mm[INCHES]		CHK -			
		TOLERANCES UNLESS OTHERWISE SPECIFIED:		SOCKET CONNECTOR, CROWN EDGE	
		0 PLC ± - 1 PLC ± 0.5[0.020] 2 PLC ± 0.25[0.010] 3 PLC ± - 4 PLC ± - ANGLES ± 0.5°		6 POSITION POWER, STRAIGHT	
MATERIAL -		FINISH -		PN: 286-0052-1**01A	
		APVD D. CHAU 01/06/05		PRODUCT SPEC	
		APPLICATION SPEC		SIZE CAGE CODE DRAWING NO RESTRICTED TO	
		WEIGHT -		A3 00779 C-6650384	
		CUSTOMER DRAWING		SCALE 2:1 SHEET 1 OF 5 REV A1	

THIS DRAWING IS UNPUBLISHED. RELEASED FOR PUBLICATION  
 © COPYRIGHT - By - ALL RIGHTS RESERVED.

LOC	DIST	REVISIONS					
		P	LTR	DESCRIPTION	DATE	DWN	APVD
-	-	-	-	SEE SHEET 1	-	-	-



THIS DRAWING IS A CONTROLLED DOCUMENT.		DWN R. F. A.	01/05/05	 <b>TE Connectivity</b>			
DIMENSIONS: mm[INCHES]		CHK -	-				
TOLERANCES UNLESS OTHERWISE SPECIFIED:		APVD D. CHAU	01/06/05	NAME			
0 PLC ± - 1 PLC ± 0.5[0.020] 2 PLC ± 0.25[0.010] 3 PLC ± - 4 PLC ± - ANGLES ± 0.5°		PRODUCT SPEC		SOCKET CONNECTOR, CROWN EDGE 6 POSN POWER, STRAIGHT, SOLDER TAILS PN: 286-0052-12101A			
MATERIAL		APPLICATION SPEC		SIZE	CAGE CODE	DRAWING NO	RESTRICTED TO
-		-		A3	00779	C-6650384	-
CUSTOMER DRAWING				SCALE	SHEET	REV	
-				2:1	2 OF 5	A1	

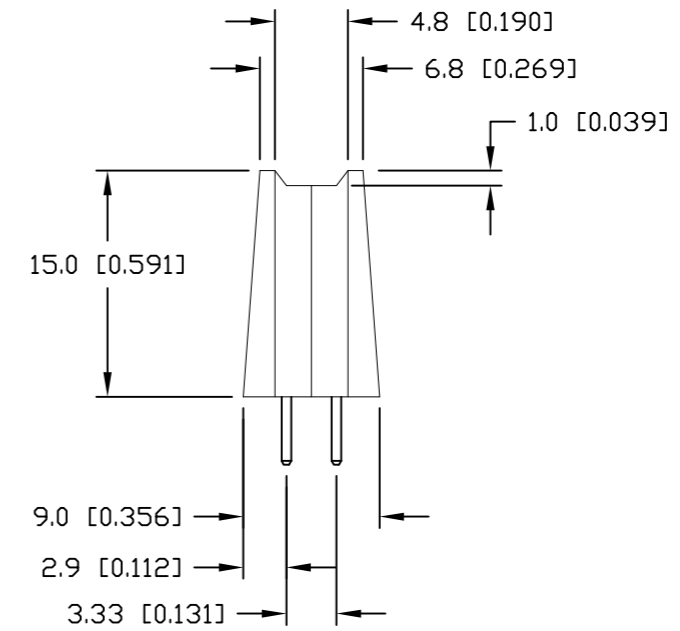
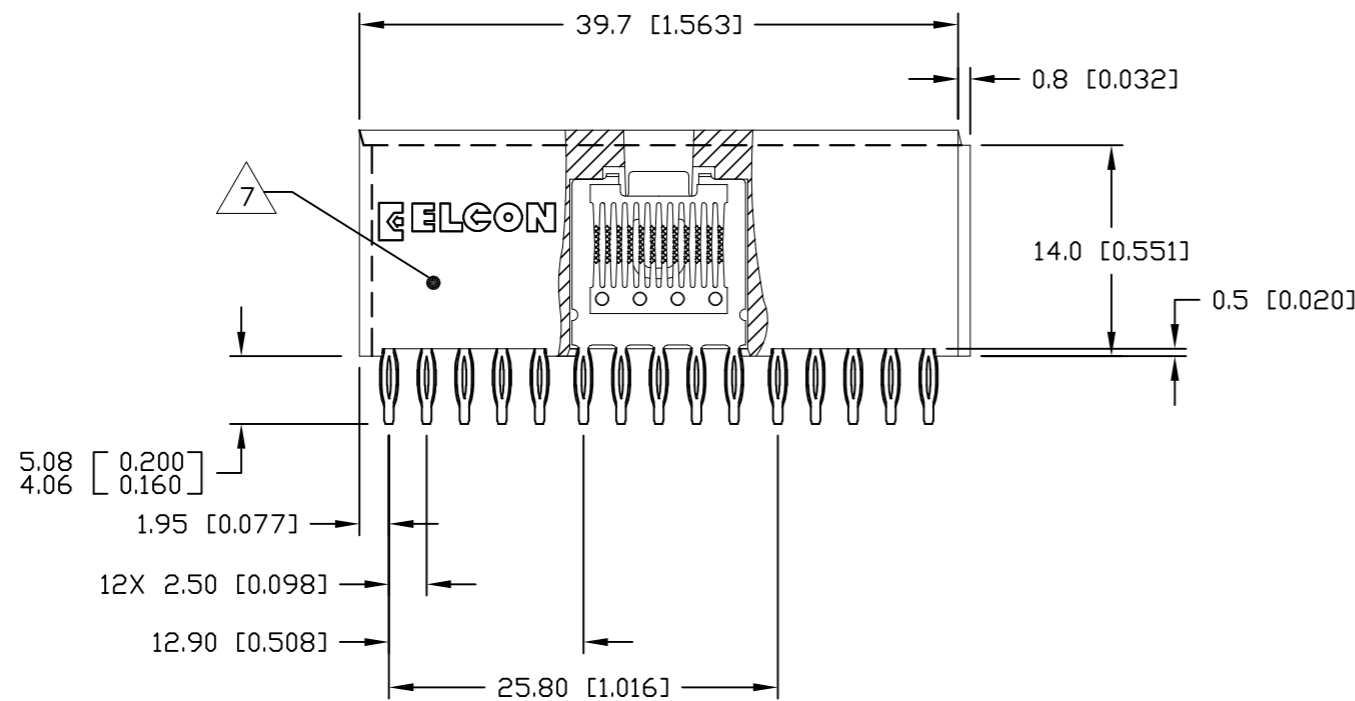
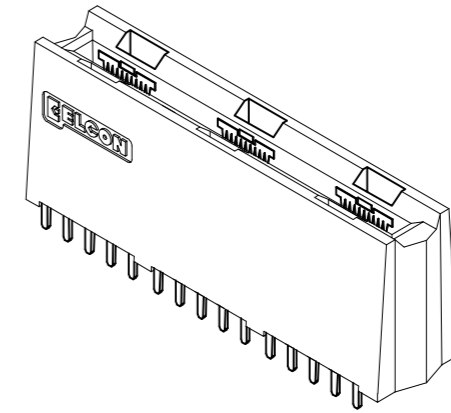
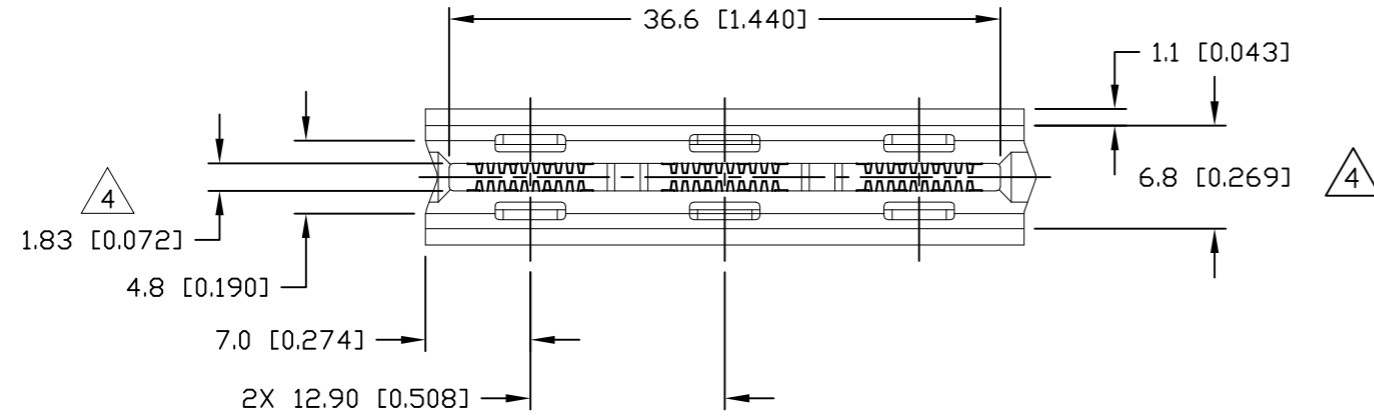
THIS DRAWING IS UNPUBLISHED.


RELEASED FOR PUBLICATION

© COPYRIGHT - By -

ALL RIGHTS RESERVED.

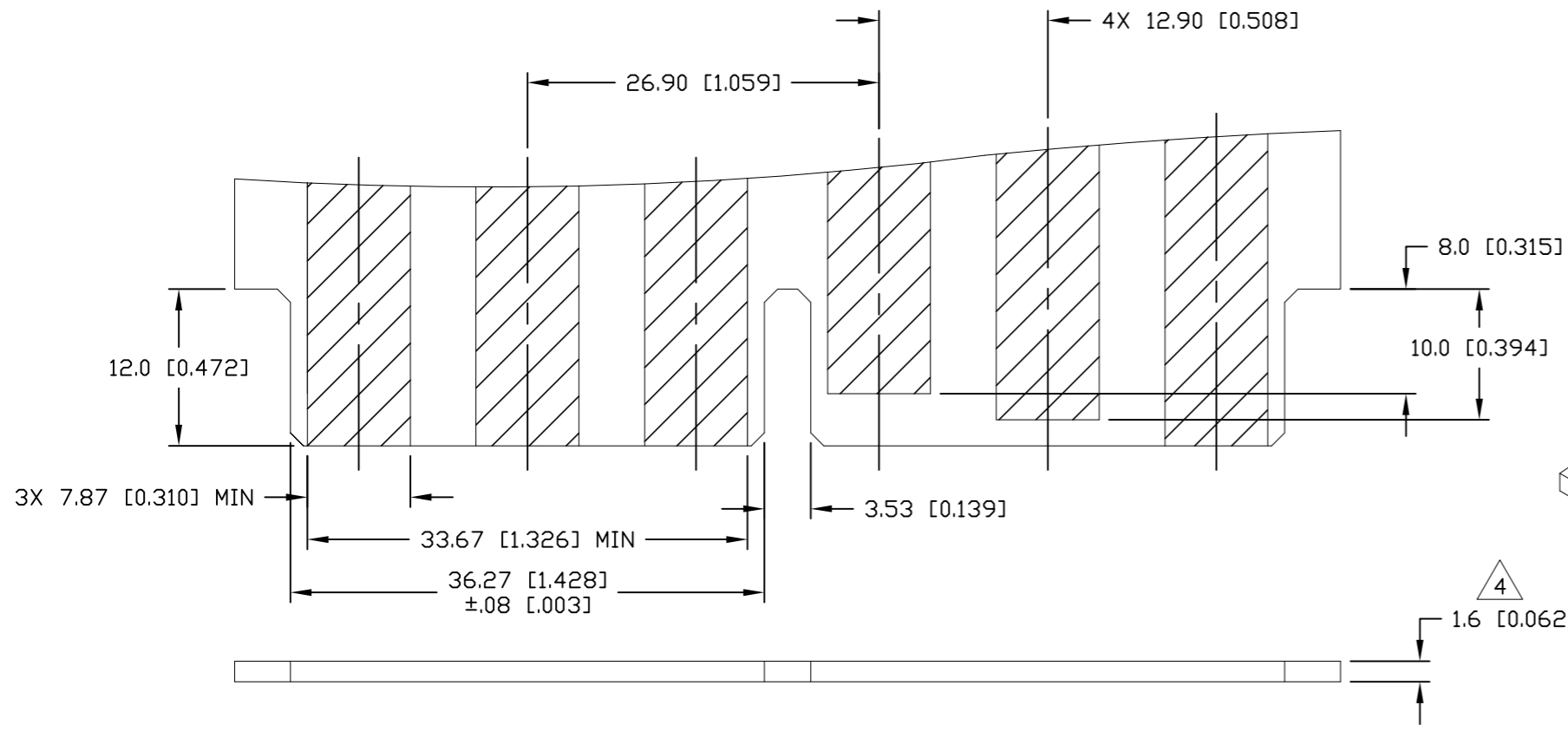
LOC	DIST	REVISIONS					
		P	LTR	DESCRIPTION	DATE	DWN	APVD
-	-	-	-	SEE SHEET 1	-	-	-



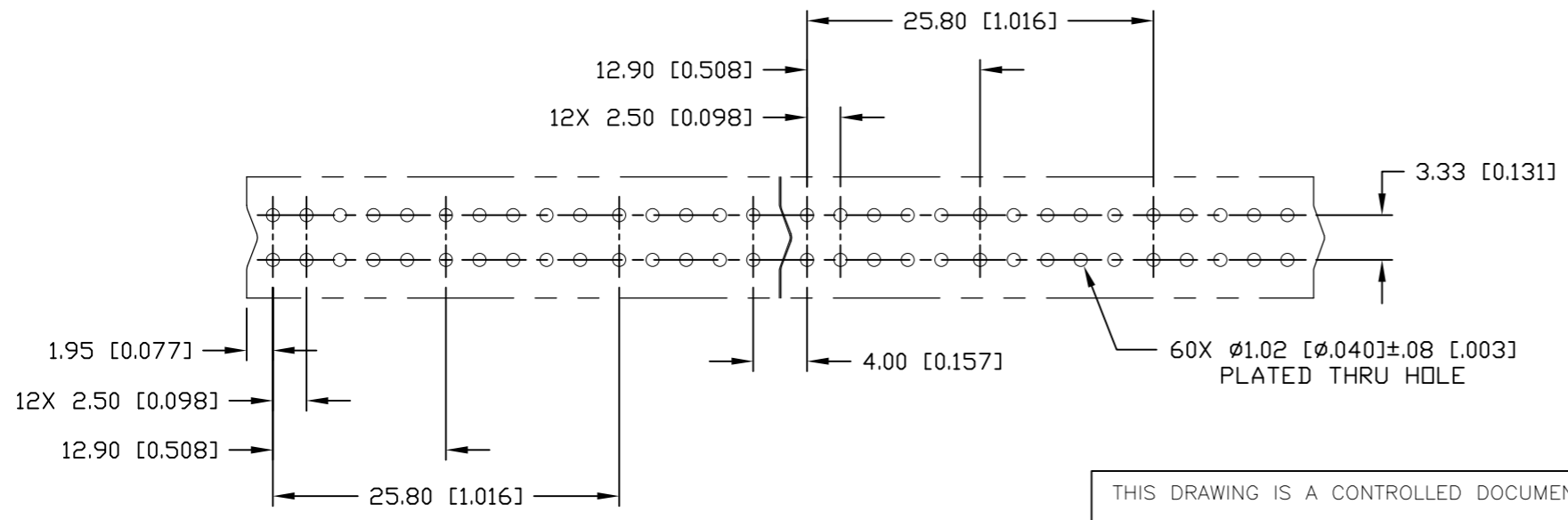
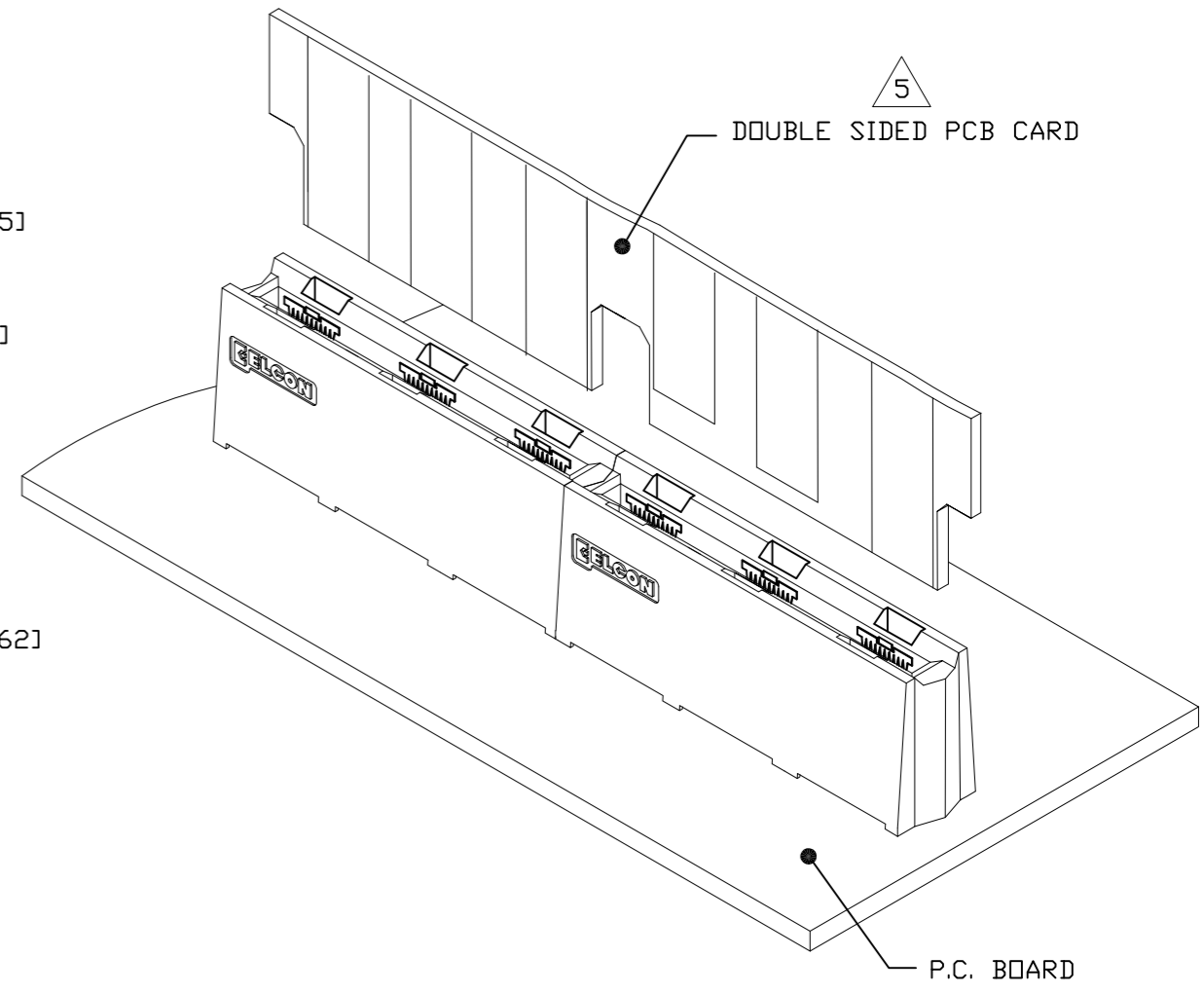
THIS DRAWING IS A CONTROLLED DOCUMENT.		DWN R. F. A.	01/05/05	 <b>TE Connectivity</b>	
DIMENSIONS: mm[INCHES]		CHK -	-		
TOLERANCES UNLESS OTHERWISE SPECIFIED:		APVD D. CHAU	01/06/05	NAME	
<ul style="list-style-type: none"> <li>0 PLC ± -</li> <li>1 PLC ± 0.5[0.020]</li> <li>2 PLC ± 0.25[0.010]</li> <li>3 PLC ± -</li> <li>4 PLC ± -</li> <li>ANGLES ± 0.5°</li> </ul>		PRODUCT SPEC		SOCKET CONNECTOR, CROWN EDGE 6 POSN PWR, STRAIGHT, COMPLIANT TAILS PN: 286-0052-11301A	
MATERIAL		FINISH		SIZE	RESTRICTED TO
-		-		A3	-
		WEIGHT		CAGE CODE	DRAWING NO
		-		00779	C-6650384
CUSTOMER DRAWING				SCALE	SHEET
				2:1	3 of 5
				REV	A1

THIS DRAWING IS UNPUBLISHED. RELEASED FOR PUBLICATION  
 © COPYRIGHT - By - ALL RIGHTS RESERVED.


LOC	DIST	REVISIONS			
P	LTR	DESCRIPTION	DATE	DWN	APVD
-	-	SEE SHEET 1	-	-	-



△ 6 DOUBLE SIDED P.C.B. CARD

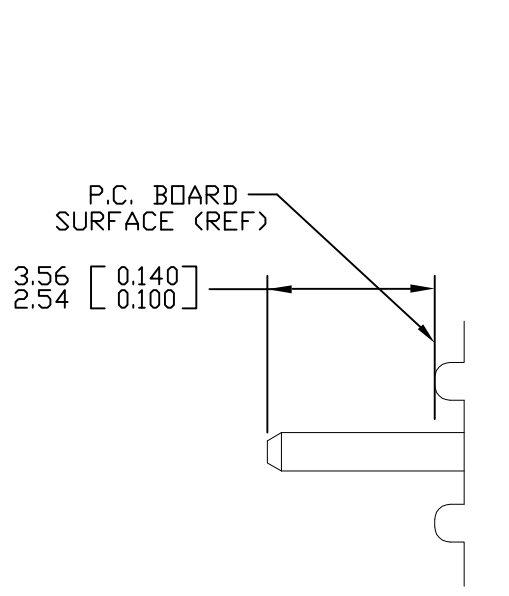


△ 6 RECOMMENDED P.C. BOARD LAYOUT

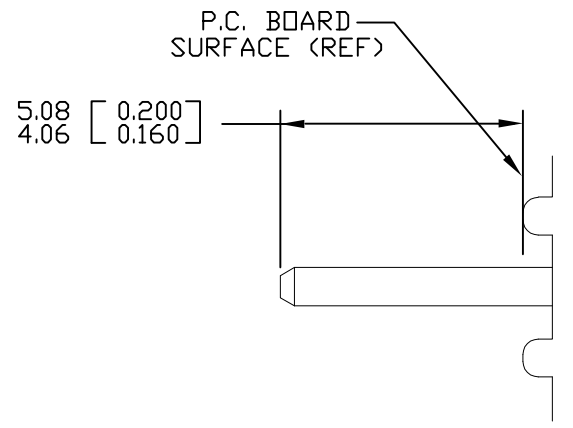
THIS DRAWING IS A CONTROLLED DOCUMENT.		DWN R. F. A.	01/05/05	 <b>TE Connectivity</b>	
DIMENSIONS: mm[INCHES]		CHK -	-		
TOLERANCES UNLESS OTHERWISE SPECIFIED:		APVD D. CHAU	01/06/05	NAME	
0 PLC ± - 1 PLC ± 0.5[0.020] 2 PLC ± 0.25[0.010] 3 PLC ± - 4 PLC ± - ANGLES ± 0.5°		PRODUCT SPEC		RECOMMENDED PCB LAYOUT PN: 286-0052-12101A/-12301A PN: 286-0052-11301A	
MATERIAL		WEIGHT		SIZE	RESTRICTED TO
-		-		A3 00779	-
FINISH		CUSTOMER DRAWING		DRAWING NO	SCALE
-		-		C-6650384	2:1
				CAGE CODE	SHEET
				-	4 OF 5
				REV	A1

THIS DRAWING IS UNPUBLISHED. RELEASED FOR PUBLICATION  
 © COPYRIGHT - By - ALL RIGHTS RESERVED.

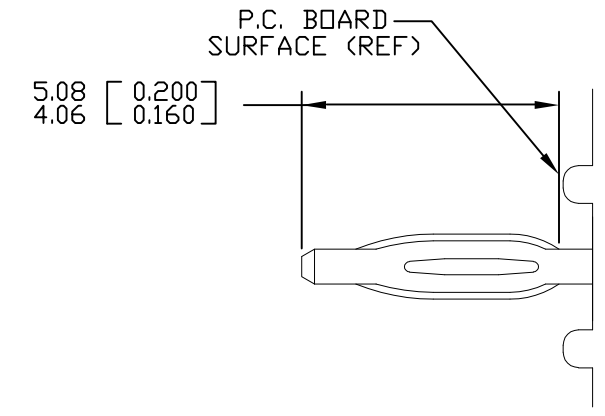
LOC	DIST	REVISIONS					
		P	LTR	DESCRIPTION	DATE	DWN	APVD
-	-	-	-	SEE SHEET 1	-	-	-



SOLDER PIN DETAIL



SOLDER PIN DETAIL




COMPLIANT PIN DETAIL

INSERTION/EXTRACTION FORCES  
 MAXIMUM PUSH-IN: 133.3N PER PIN [30 LBS]  
 MINIMUM PUSH-OUT: 44.4N PER PIN [10 LBS]

RECOMMENDED PRINTED CIRCUIT HOLE

FINISHED HOLE:  $\phi 1.02$  [.040]  $\pm .08$  [.003]  
 DRILLED HOLE:  $\phi 1.15$  [.0453]  $\pm .013$  [.0005]  
 COPPER PLATE: .025 [.0010] MINIMUM (PER SURFACE)  
 TIN PLATE: .008 [.0003] MINIMUM (PER SURFACE)

THIS DRAWING IS A CONTROLLED DOCUMENT.		DWN R. F. A.	01/05/05	 TE Connectivity			
DIMENSIONS: mm[INCHES]		CHK -	-				
TOLERANCES UNLESS OTHERWISE SPECIFIED: 0 PLC $\pm -$ 1 PLC $\pm 0.5$ [0.020] 2 PLC $\pm 0.25$ [0.010] 3 PLC $\pm -$ 4 PLC $\pm -$ ANGLES $\pm 0.5^\circ$		APVD D. CHAU	01/06/05	SIZE A3			
MATERIAL -		FINISH -	PRODUCT SPEC -				
CUSTOMER DRAWING				SCALE 2:1	SHEET 5 OF 5	REV A1	