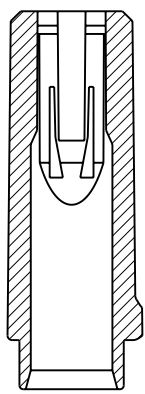
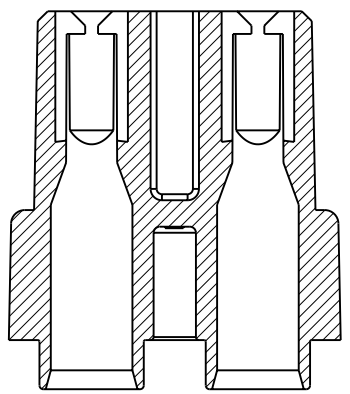
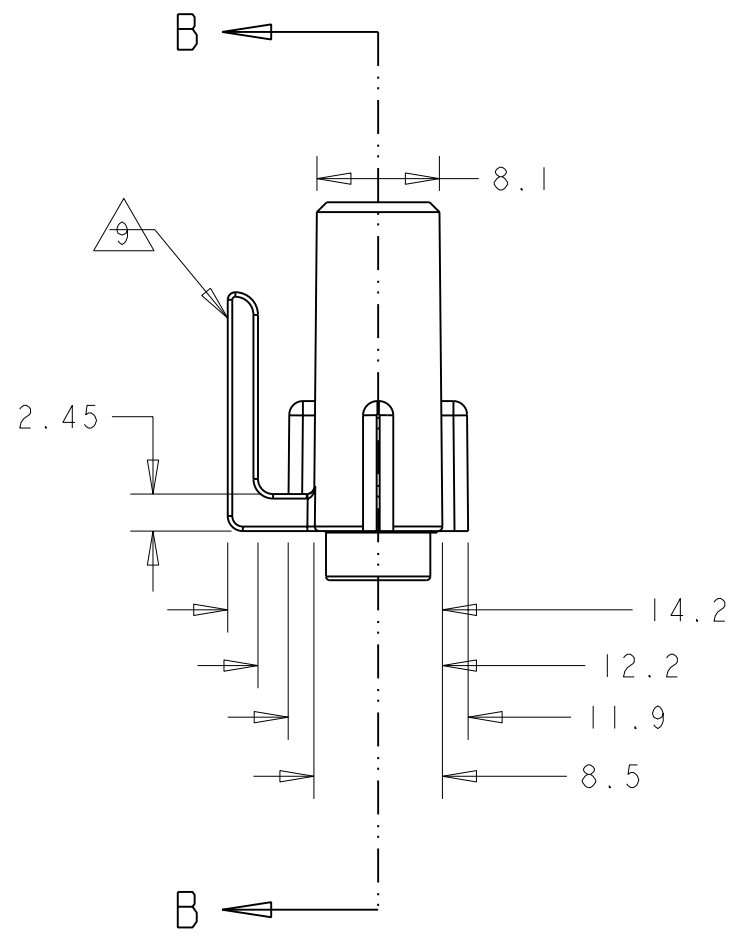
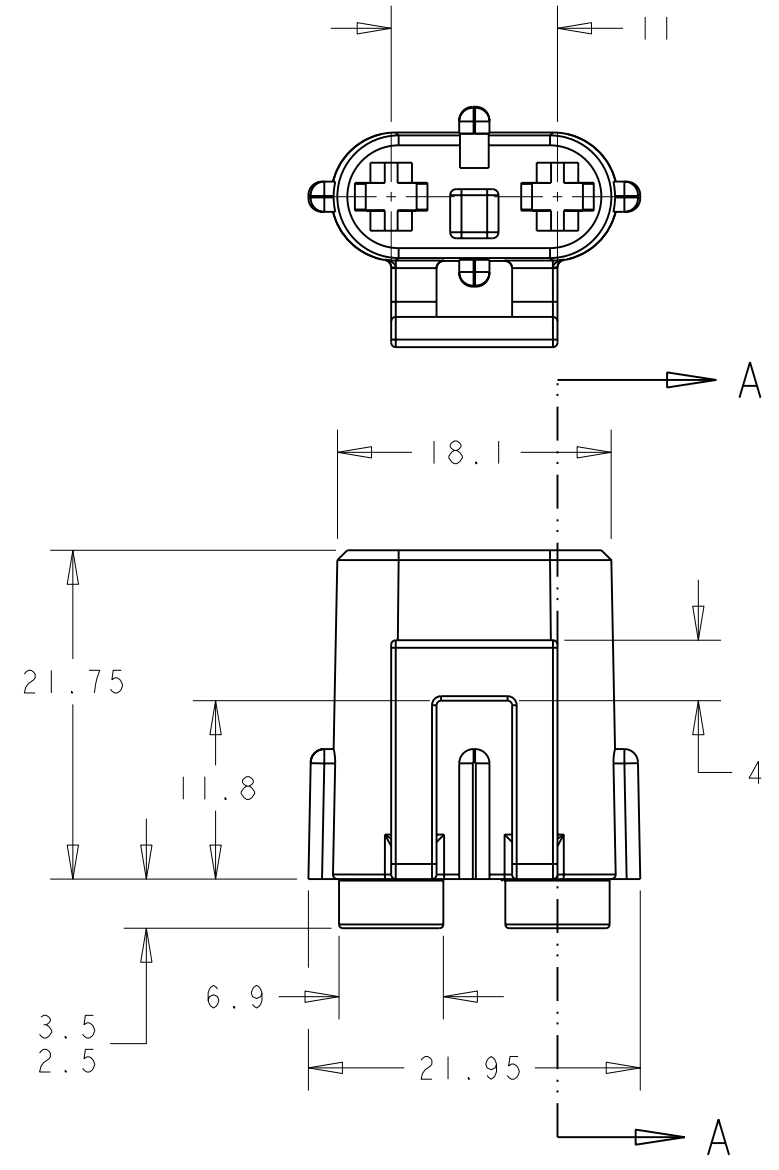


THIS DRAWING IS UNPUBLISHED. RELEASED FOR PUBLICATION 20
 © COPYRIGHT 20 BY TYCO ELECTRONICS CORPORATION. ALL RIGHTS RESERVED.

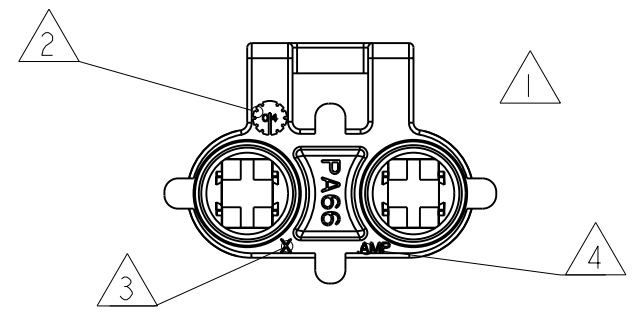
LOC	DIST	REVISIONS					
E	B	P	LTR	DESCRIPTION	DATE	DWN	APVD
			A	FIRST ISSUE	27-FEB-04		
			B	EBAO-0017-05	01-APRIL-05	MJH	RB
			C	ECR-05-007218	20-JUL-05	MJH	RB



SECTION A-A



SECTION B-B



NOTES:

- 1 MATERIAL CODE
- 2 DATE CODE
- 3 IMPRESSION IDENTIFICATION
- 4 AMP LOGO ORIENTATED AND LOCATED AS SHOWN
- 5. TERMINALS USED ON THIS CONNECTOR
968849, 968851, 968853
- 7 SINGLE INHIBITION SLOT
- 8 TWO INHIBITION SLOTS
- 9 AN AUDIBLE CLICK MUST BE HEARD FROM THE
RETAINING LATCH WHEN MATING.

7	BLUE	PA66	1634784-2
6	GREY	PA66	1634784-1
INHIBITIONS	COLOUR	MATERIAL	PART NO

<small>THIS DRAWING IS A CONTROLLED DOCUMENT FOR TYCO ELECTRONICS CORPORATION IT IS SUBJECT TO CHANGE AND THE CONTROLLING ENGINEERING ORGANIZATION SHOULD BE CONTACTED FOR THE LATEST REVISION.</small>		DWN 27FEB2004 M. GREENER		Tyco Electronics UK Ltd, Stanmore, Middx, HA7 4RS.	
DIMENSIONS: mm		CHK 27FEB2004 M. HARRIS			
		APVD B. BAKER		NAME 2 POS MCP RECEPTACLE HOUSING	
TOLERANCES UNLESS OTHERWISE SPECIFIED: 0 PLC ±- 1 PLC ±0.5 2 PLC ±0.5 3 PLC ±0.5 4 PLC ±- ANGLES ±2		PRODUCT SPEC 108-3639		SIZE CAGE CODE DRAWING NO RESTRICTED TO A3 00779 C-1634784	
MATERIAL SEE TABLE FINISH -		APPLICATION SPEC 108-3639		WEIGHT 2.5g	
		CUSTOMER DRAWING		SCALE 2:1 SHEET 1 OF 2 REV C	

4

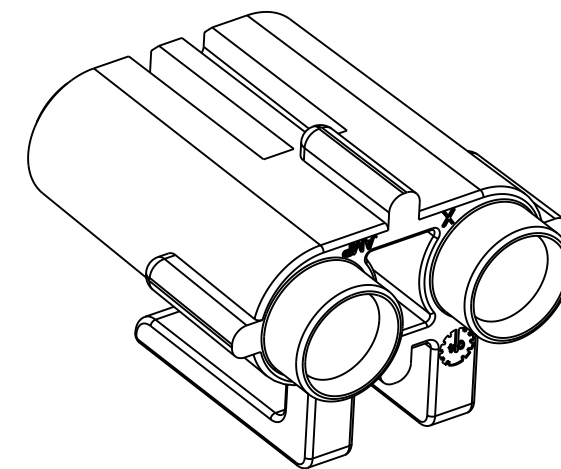
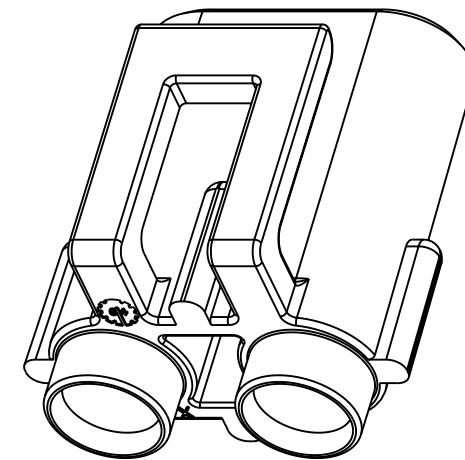
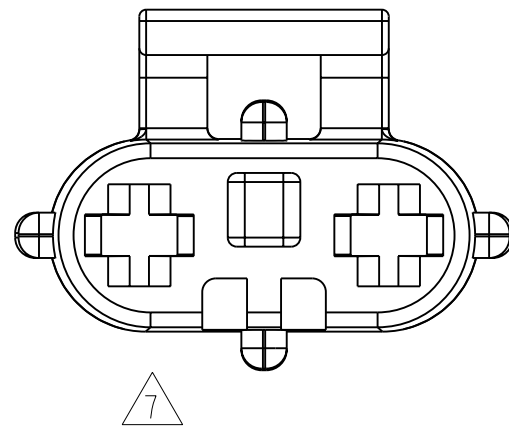
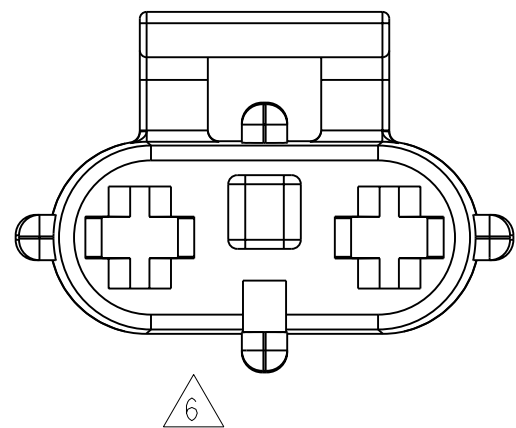
3

2

1

THIS DRAWING IS UNPUBLISHED. RELEASED FOR PUBLICATION 20
 © COPYRIGHT 20 BY TYCO ELECTRONICS CORPORATION. ALL RIGHTS RESERVED.

LOC	DIST	REVISIONS					
E	B	P	LTR	DESCRIPTION	DATE	DWN	APVD



INHIBITION DETAIL (SEE TABLE ON SHEET 1)

<small>THIS DRAWING IS A CONTROLLED DOCUMENT FOR TYCO ELECTRONICS CORPORATION IT IS SUBJECT TO CHANGE AND THE CONTROLLING ENGINEERING ORGANIZATION SHOULD BE CONTACTED FOR THE LATEST REVISION.</small>		DWN M. GREENER 27FEB2004 CHK M. HARRIS 27FEB2004 APVD B. BAKER PRODUCT SPEC		tyco Electronics		Tyco Electronics UK Ltd, Stanmore, Middx, HA7 4RS.	
DIMENSIONS: mm		TOLERANCES UNLESS OTHERWISE SPECIFIED: 0 PLC ± 1 PLC ±0.5 2 PLC ±0.5 3 PLC ±0.5 4 PLC ± ANGLES ±2		NAME 2 POS MCP RECEPTACLE HOUSING		RESTRICTED TO	
MATERIAL SEE SHT 1		FINISH		APPLICATION SPEC		SIZE A3 CAGE CODE 00779 DRAWING NO C-1634784C	
CUSTOMER DRAWING				WEIGHT		SCALE 2:1 SHEET 2 OF 2 REV C	