

6

5

4

3

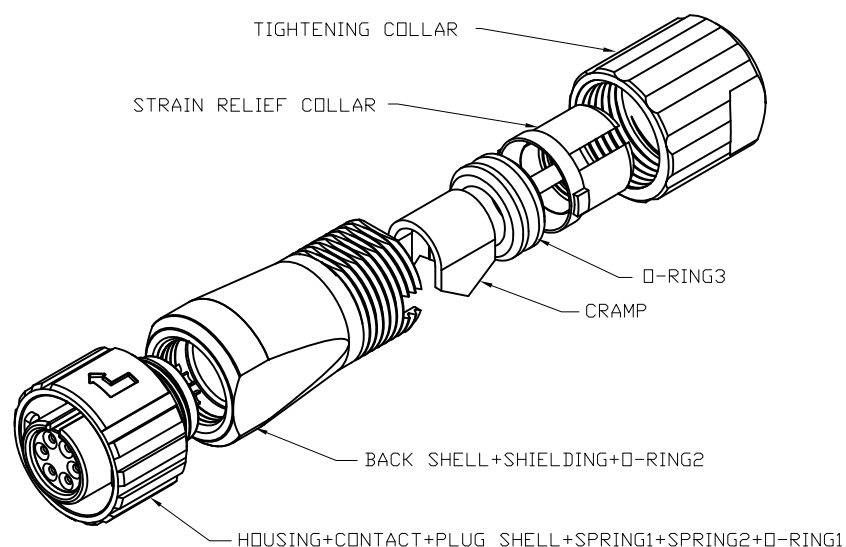
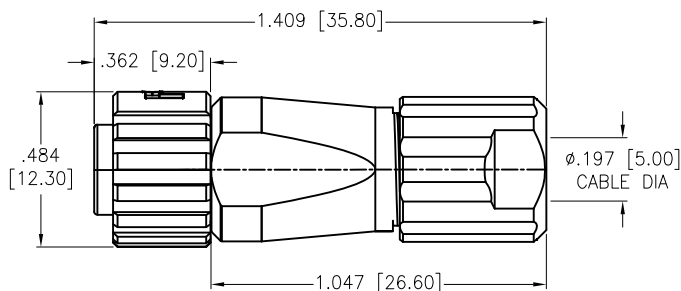
2

1

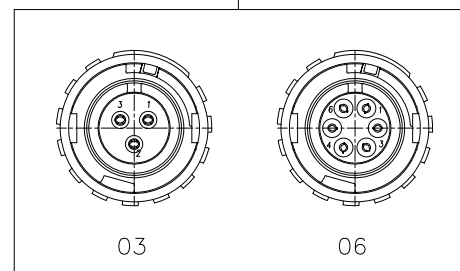
APPROVED: _____

DATE: _____ TITLE: _____

Rev	AWO #	Description	Date	Appr
-		RELEASED	11/23/18	



SD-MMNXX-FFBBL-SX0-000
7=IP67



SPECIFICATIONS:

Material:

- Housing: PPS, rated UL 94V-0, Color: Black
 - Contacts: Phosphor Bronze, Gold Flash plated
 - Plug Shell: Zinc Alloy, Nickel plated
 - Locking collar: Zinc Alloy, Nickel plated
 - Spring 1: Stainless Steel
 - Spring 2: Stainless Steel
 - O-ring 1: EDPM
 - Back shell: Zinc Alloy, Nickel plated
 - Shielding: Phosphor Bronze, Nickel plated
 - O-ring 2: EDPM
 - Clamp: Brass, Nickel plated
 - O-ring 3: NBR, Color: Black
 - Strain relief collar: Nylon 66, rated UL 94V-0, Color: White
 - Tightening collar: PPS, Color: Brown
- Environmental:
Lead free, RoHS compliant



UNLESS OTHERWISE SPECIFIED ALL DIMENSIONS ARE INCHES [MM] TOLERANCES: EXCEPT AS NOTED		
INCHES HOLES		
.X ± .10	Ø.X ± .10	
.XX ± .020	Ø.XX ± .015	
.XXX ± .015	Ø.XXX ± .010	
APPROVALS		DATE
DRAWN	HR	11/23/18
CHECKED	AC	11/23/18
APPROVED		

ADAM TECH INTERCONNECTS 909 Rahway Avenue,
Union, NJ 07083
Phone: 908-687-5000
Fax: 908-687-5710

TITLE: WATERPROOF CONNECTOR, FEMALE DIN,
ASSEMBLY, LOCK TYPE, SOLDER

SIZE	PART NO.	REV.
X	SD-MMNXX-FFBBL-SX0-000	-
REF:	S00298T	SCALE: NTS
		SHEET 1 OF 1

6

5

4

3

2

1