

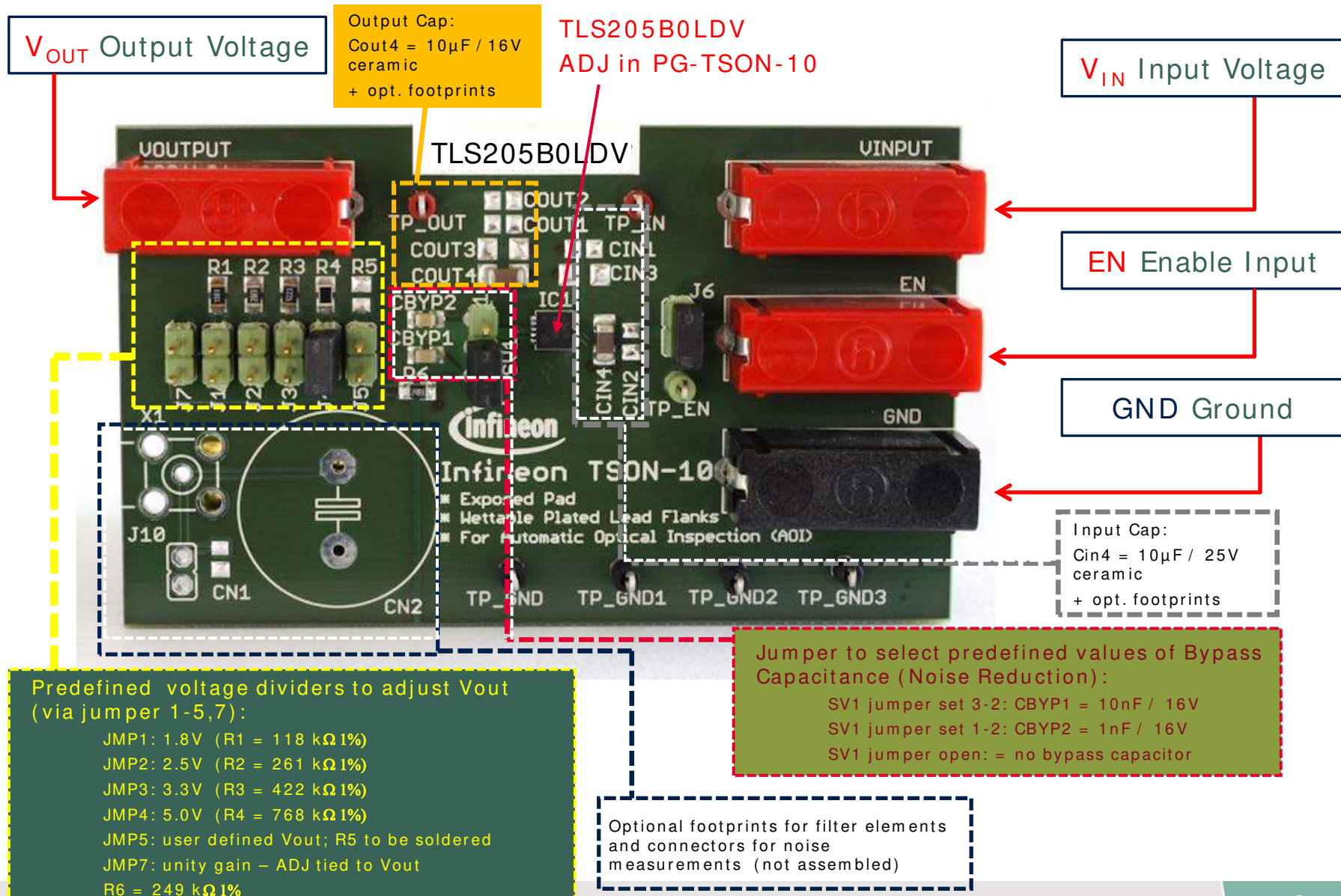
# TLS205B0

## DEMO Board

### User Guide



# Board Overview and Quick Start

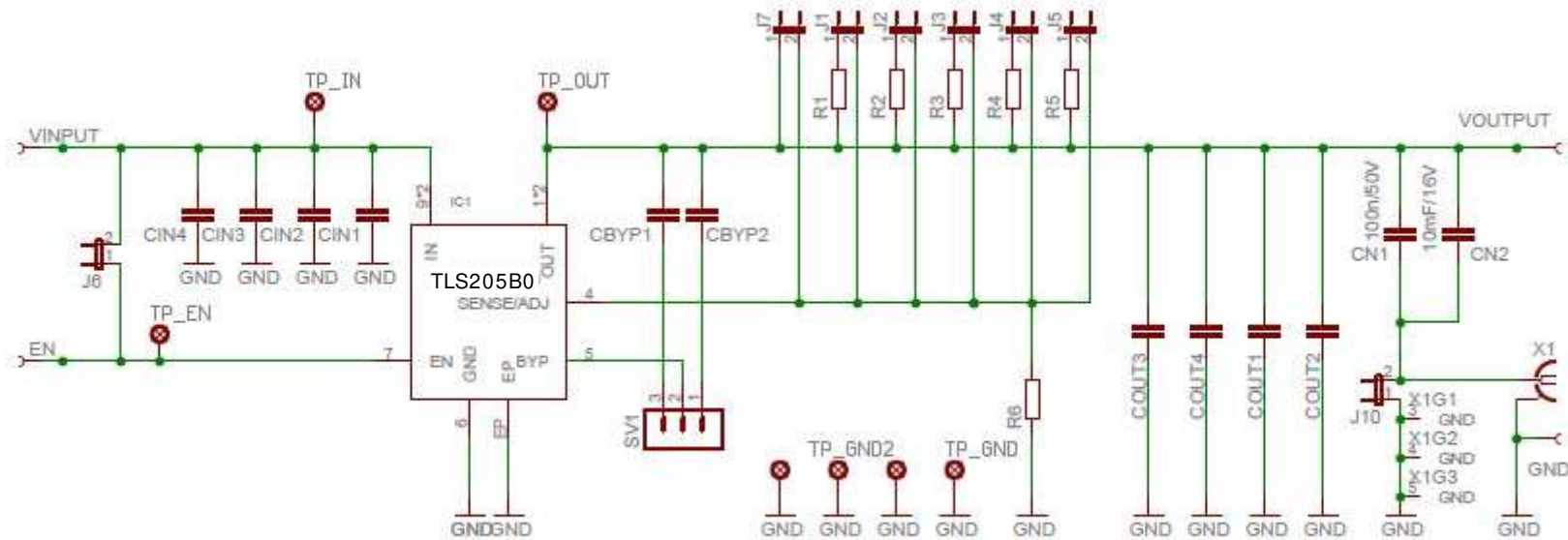


# Quick Start

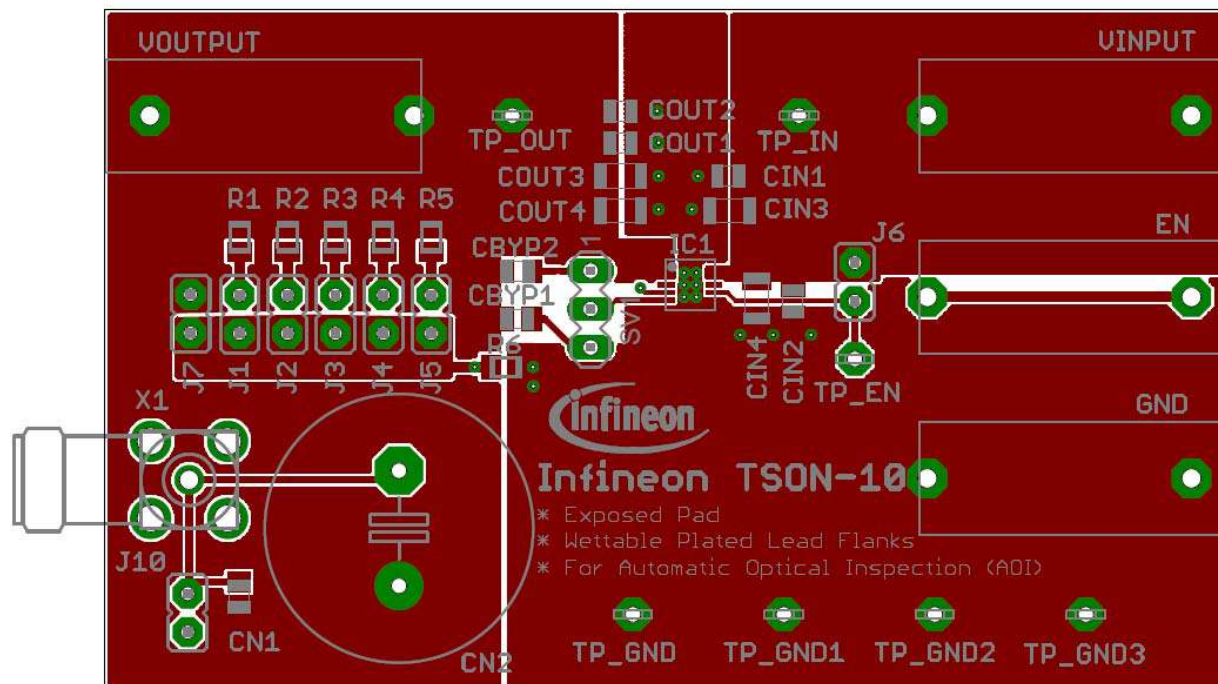
- › Select the desired Output Voltage  $V_{OUT}$ :
  - close ONE of the jumpers JMP 1-5 according to page 2. If JMP5 is used (= user-specific) a user defined value for R5 must be soldered accordingly. If  $V_{OUT} > 16V$  is chosen the output capacitor must be replaced with a capacitor having a higher voltage rating (16V is assembled). Leave the other jumpers open!
- › Select Bypass Capacitance:
  - the jumper settings of SV1 allow to use pre-assembled bypass capacitor values  $C_{BYP}$  of either 10nF or 1nF. Leaving SV1 open corresponds to „no bypass capacitor used“.
- › Connect GND to Ground
- › Connect  $V_{IN}$  to the Voltage Supply
  - Absolute Maximum Rating  $V_{IN}$ : -20V to 20V
- › Connect  $V_{OUT}$  to the load
  - Absolute Maximum Rating  $V_{OUT}$ : -20V to 20V
- › Set **EN** to high level or connect to  $V_{IN}$  to start the voltage regulator
  - Absolute Maximum Rating EN: -20V to 20V
  - Jumper JMP6 can be used to tie  $V_{EN}$  to  $V_{IN}$

**Note: Do NOT exceed the Absolute Maximum Ratings!**

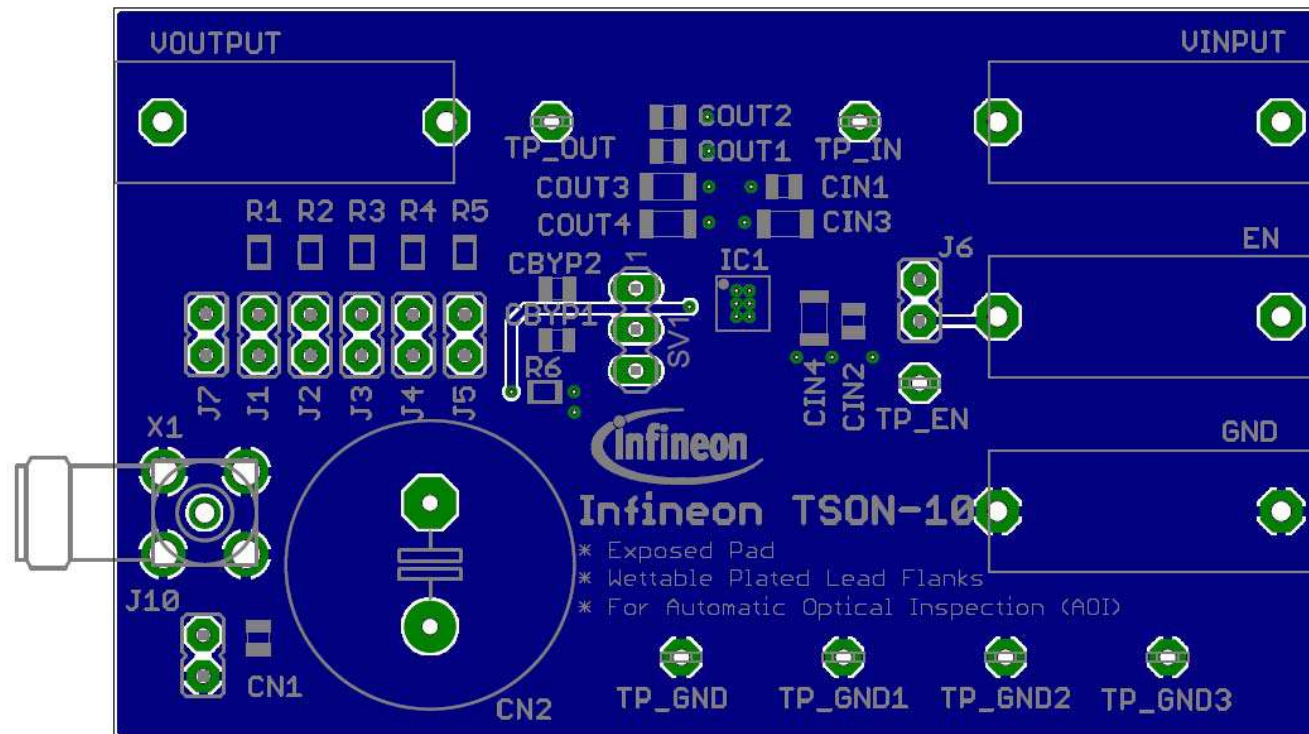
# Board Schematics



# Board TOP Layer



# Board BOTTOM Layer







Part of your life. Part of tomorrow.

