

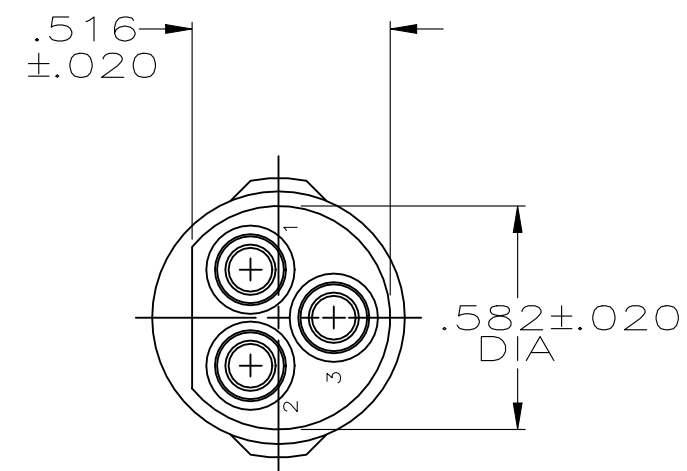
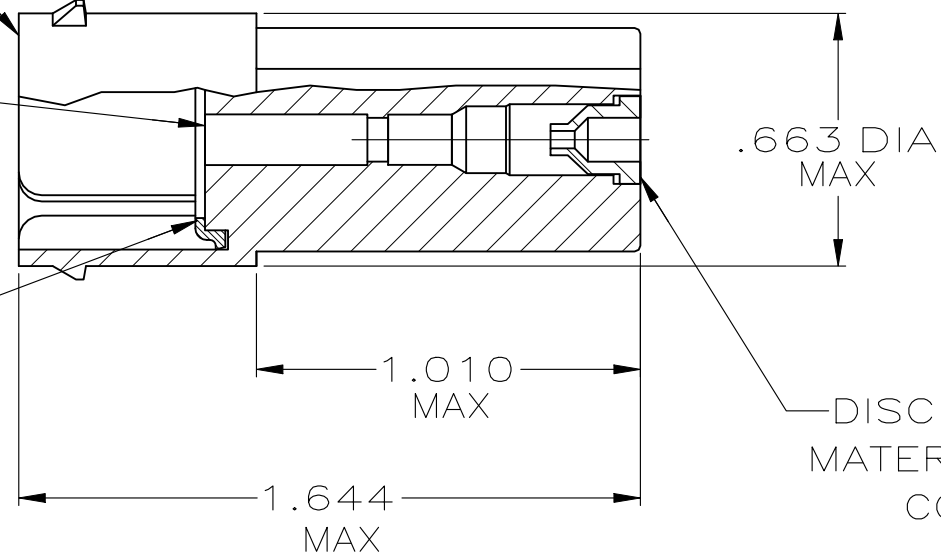
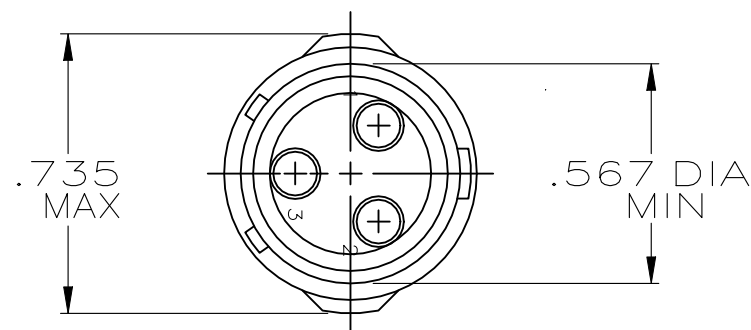
REVISIONS					
P	LTR	DESCRIPTION	DATE	DWN	APVD
	G	PER PCN E-20-018081	10MAR2021	SCK	

HOUSING MATERIAL:
THERMOPLASTIC
COLOR: BLACK

MATING FACE

INTERFACIAL SEAL,
MATERIAL: ELASTOMER
COLOR: BLACK

DISCRETE WIRE SEAL,
MATERIAL: ELASTOMER
COLOR: BLACK



- 1 WIRE INSULATION SEALING RANGE: .130-.070 DIA.
- 2 THIN MEMBRANE PERMISSABLE ON SMALL DIAMETER OF WIRE SEALS.

207563-1
PART NO

THIS DRAWING IS A CONTROLLED DOCUMENT.		DWN A.STAUB BG 7/31/90	TE Connectivity		
DIMENSIONS: INCHES		CHK -			
		TOLERANCES UNLESS OTHERWISE SPECIFIED:		PRODUCT SPEC -	
		0 PLC ± - 1 PLC ± - 2 PLC ± - 3 PLC ± - 4 PLC ± - ANGLES ± -		APPLICATION SPEC -	
MATERIAL SEE CALLOUT		FINISH -		WEIGHT 0.000000	SIZE A3
CUSTOMER DRAWING				CAGE CODE 00779	DRAWING NO C-207563
SCALE -			SHEET 1 OF 1	RESTRICTED TO -	
			REV G		