



Automotive Signal Common Mode Chokes

ACMS-Q3225C

Request Samples



Check Inventory



3.2 x 2.5 x 2.35 mm

RoHS/RoHS II Compliant

MSL Level = 1

Features

- AEC-Q200 compliant, Grade 1
- PPAP ready and supported
- Manufactured in TS/IATF 16949 production lines
- Excellent impedance characteristics

Applications

- Differential signal line common mode noise suppression.
- Multimedia devices
- Automotive applications such as ADAS, Infotainment, Sensing, TCU
- Automotive CAN bus

Electrical Specifications

Part Number	Inductance (μ H) (+50%/-30%)	Impedance (Ω) @10MHz		DCR (m Ω) Max	Rated Current (A) Max	Rated Voltage (Vdc) Max	Insulation Resistance (M Ω) Min
		Min	Typ.				
ACMS-Q3225C-110	11	400	550	300	0.4	80	10
ACMS-Q3225C-220	22	600	1100	500	0.3	80	10
ACMS-Q3225C-510	51	1500	2500	1500	0.2	80	10
ACMS-Q3225C-101	100	2200	4000	2200	0.15	80	10

Rated Current is based on an Irms temperature rise of 20°C

Inductance Test Conditions: 100KHz/0.1V

ACMS-Q3225C is AEC-Q200 Automotive certified

ACMS-Q3225C Series is RoHS Compliant and Pb free

Operating Temperature: -40°C to +150°C (Including self-heating)

Storage Temperature (on PCB): -40°C to +150°C

Storage (in original packaging): <40°C, <70% RH



5101 Hidden Creek Ln, Spicewood TX 78669
 Phone: 512-371-6159 Fax: 512-351-8858
 For terms and conditions of sales, please visit:
www.abracon.com

REVISION Initial Release
3/31/2022

ABRACON IS
 ISO9001-2015
 CERTIFIED



Automotive Signal Common Mode Chokes

ACMS-Q3225C

Request Samples

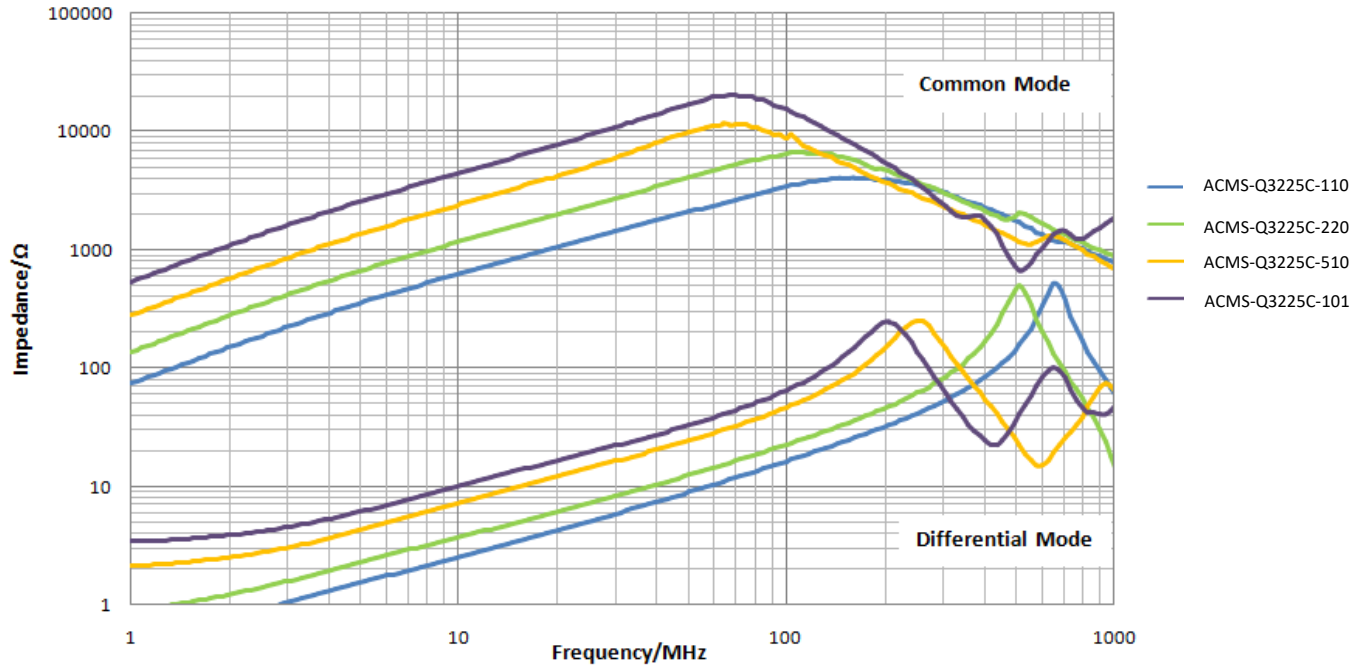


Check Inventory



3.2 x 2.5 x 2.35 mm
RoHS/RoHS II Compliant
MSL Level = 1

Electrical Specifications



5101 Hidden Creek Ln, Spicewood TX 78669
Phone: 512-371-6159 Fax: 512-351-8858
For terms and conditions of sales, please visit:
www.abracon.com

REVISION Initial Release
3/31/2022

ABRACON IS
ISO9001-2015
CERTIFIED



Automotive Signal Common Mode Chokes

ACMS-Q3225C

Request Samples

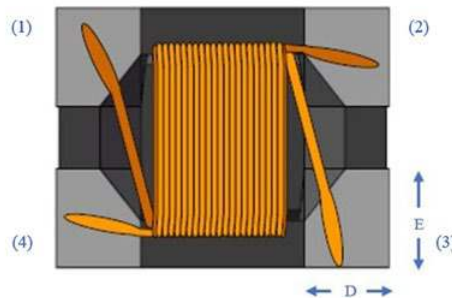
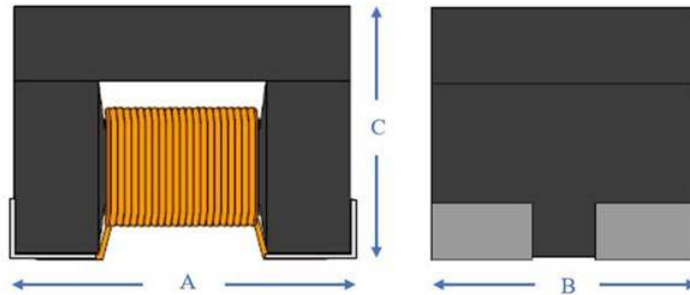


Check Inventory

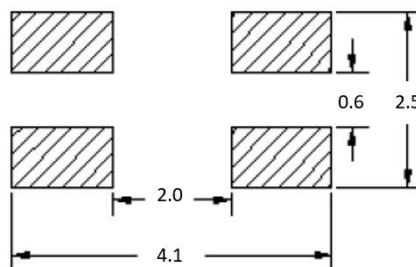


3.2 x 2.5 x 2.35 mm
RoHS/RoHS II Compliant
 MSL Level = 1

Mechanical Specifications



A	B	C	D	E
3.2 ±0.2	2.5 ±0.2	2.35 ±0.2	0.80 Max	0.95



Recommended Layout

Dimensions: mm



5101 Hidden Creek Ln, Spicewood TX 78669
 Phone: 512-371-6159 Fax: 512-351-8858
 For terms and conditions of sales, please visit:
www.abracon.com

REVISION Initial Release
 3/31/2022

ABRACON IS
 ISO9001-2015
 CERTIFIED



Automotive Signal Common Mode Chokes

ACMS-Q3225C

Request Samples

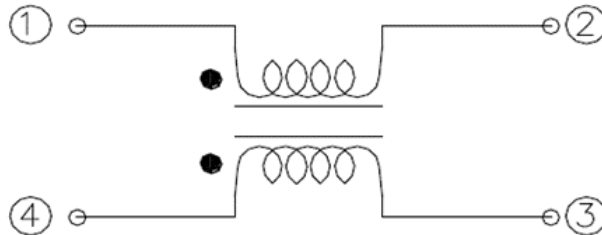


Check Inventory

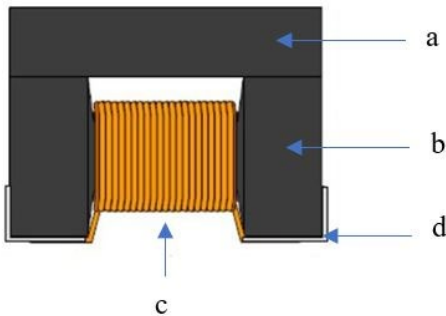


3.2 x 2.5 x 2.35 mm
RoHS/RoHS II Compliant
 MSL Level = 1

Schematic

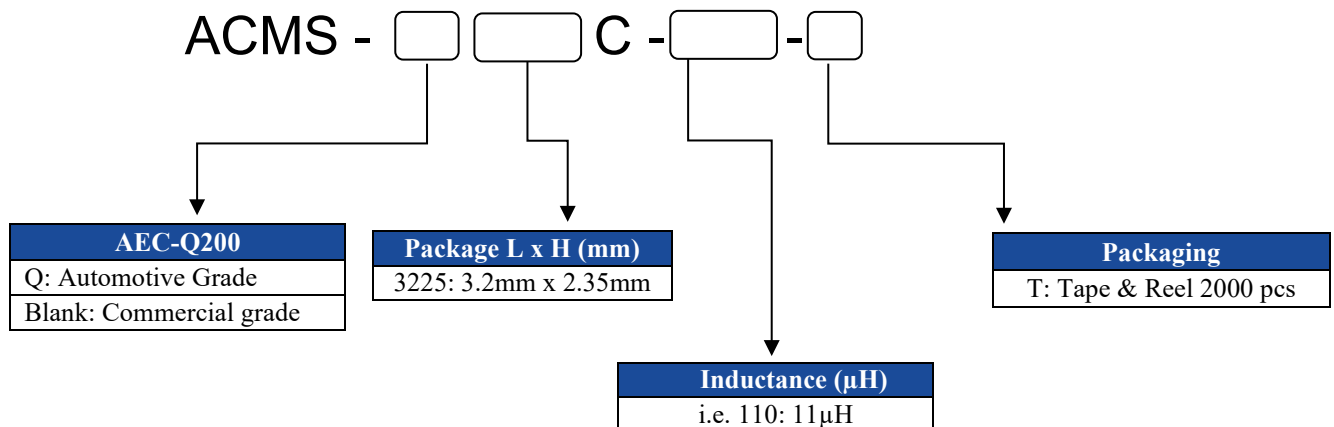


Materials Specifications



No.	Description	Material
a	Upper Plate	Ni-Zn Ferrite
b	Core	Ni-Zn Ferrite
c	Wire	Enameled copper wire
d	Electrode	Ag/Ni/Sn plating

Part Identification





Automotive Signal Common Mode Chokes

ACMS-Q3225C

Request Samples

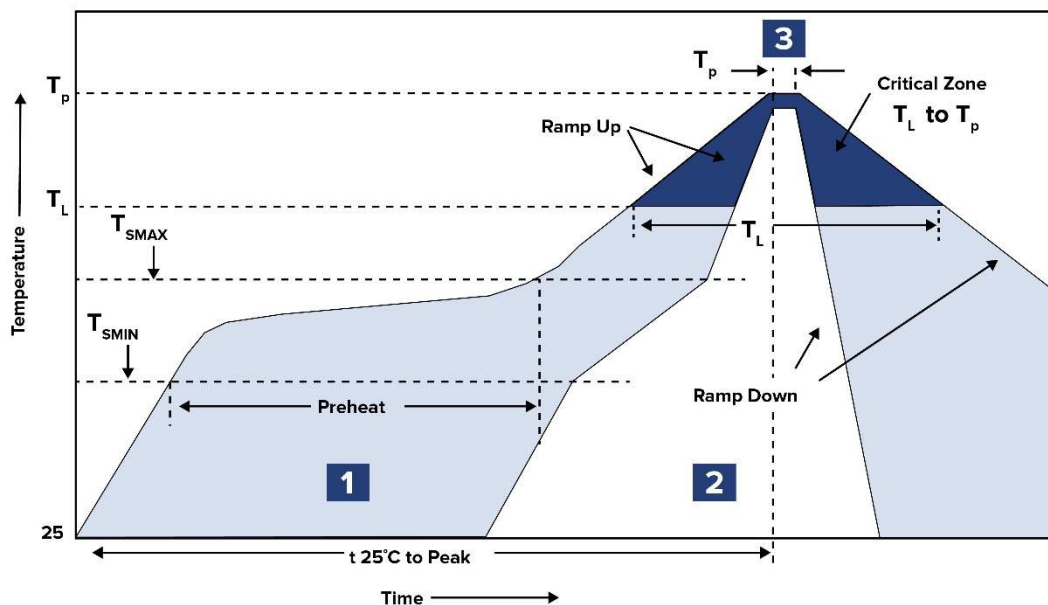


Check Inventory



3.2 x 2.5 x 2.35 mm
 RoHS/RoHS II Compliant
 MSL Level = 1

Reflow Profile



Zone	Description	Temperature	Times
1	Preheat	$T_{SMIN} \sim T_{SMAX}$ 150°C ~ 200°C	60 ~ 120 sec.
2	Reflow	T_L 220°C	60 ~ 90 sec.
3	Peak heat	T_P 260°C MAX	10 sec. MAX



Automotive Signal Common Mode Chokes

ACMS-Q3225C

Request Samples



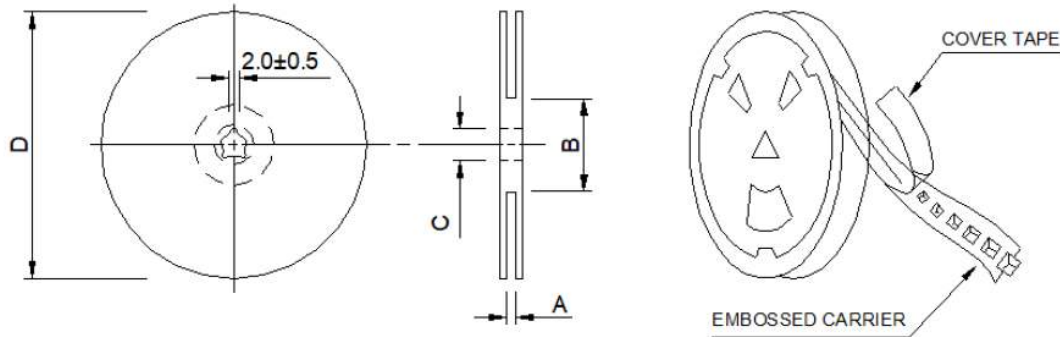
Check Inventory



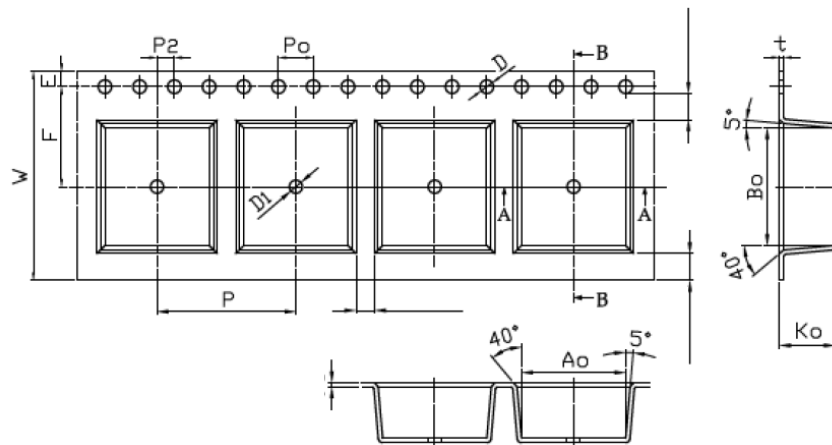
3.2 x 2.5 x 2.35 mm
RoHS/RoHS II Compliant
 MSL Level = 1

Packaging

Tape & Reel: 800pcs/reel



Series	A	B	C	D
ACMS-Q3225C	13.0 ± 0.5	100.0 ± 2.0	13.0 ± 0.5	330



W	P	E	F	P0	P2	B0	A0	K0	D	t
12.0 ±0.10	8.0 ±0.10	1.75 ±0.10	5.5 ±0.10	4.0 ±0.10	2.0 ±0.10	3.6 ±0.10	2.9 ±0.10	2.6 ±0.10	1.55 +0.5/-0	0.3 ±0.05

Dimensions: mm

ATTENTION: Abracon LLC's products are COTS – Commercial-Off-The-Shelf products; suitable for Commercial, Industrial and, where designated, Automotive Applications. Abracon's products are not specifically designed for Military, Aviation, Aerospace, Life-dependent Medical applications or any application requiring high reliability where component failure could result in loss of life and/or property. For applications requiring high reliability and/or presenting an extreme operating environment, written consent and authorization from Abracon LLC is required. Please contact Abracon LLC for more information.



5101 Hidden Creek Ln, Spicewood TX 78669
 Phone: 512-371-6159 Fax: 512-351-8858
 For terms and conditions of sales, please visit:
www.abracon.com

REVISION Initial Release
 3/31/2022

ABRACON IS
 ISO9001-2015
 CERTIFIED