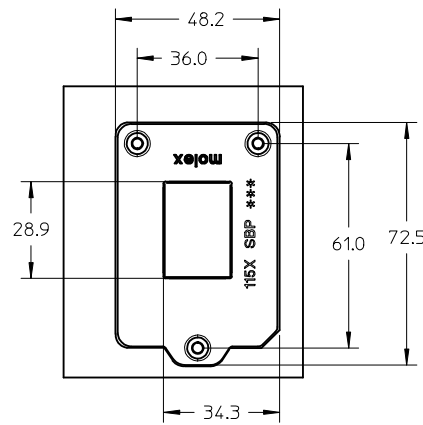
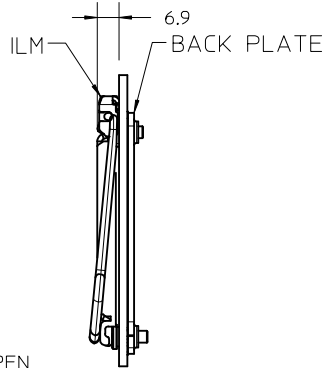
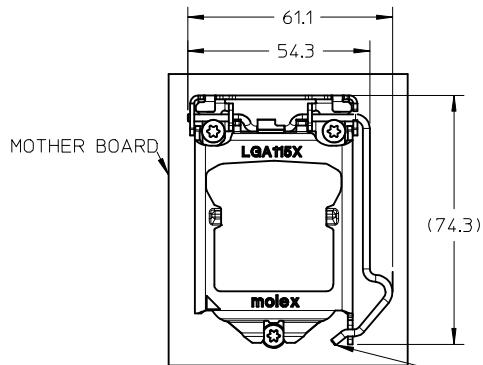


10 9 8 7 6 5 4 3 2 1



LEVER POSITION:OPEN  
PUSH LEVER OUT  
TO UNLOCK

SOCKET 115X AND BACK PLATE ①	
PART NO.	(1)47596-8834 (2)47596-8835

ILM ASSEMBLY ②	
PART NO.	(1)47596-8855 (2)47596-8855

BACK PLATE ③	
PART NO.	(1)47596-8833 (2)47596-8838

BILL OF MATERIAL		
ITEM NO	QTY	DESCRIPTION
①	1	115X ILM AND BACK PLATE ASSY( 47596-***34/-***35)
②	1	115X ILM (WITHOUT COVER) ASSEMBLY (47596-***55)
③	1	115X BACK PLATE ASSY W/SCREWS (47596-***33/**38)

NOTES  
1.PARTS ARE HALOGEN FREE.  
2.PARTS ARE COMPLIANT TO RoHS DIRECTIVE 2002/95/EC  
AND ELV 2000/53/EC.

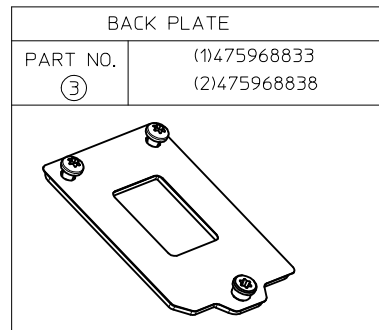
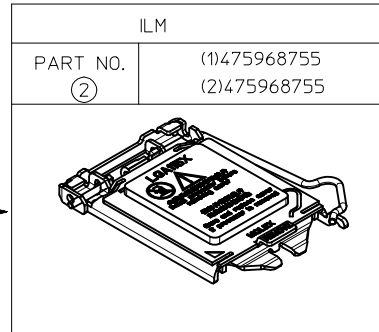
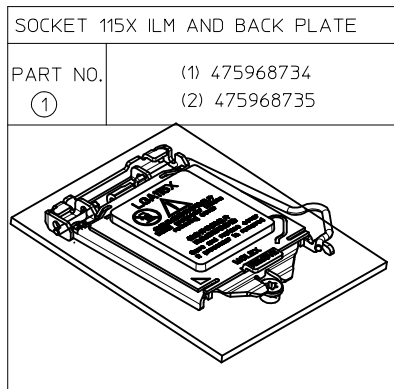
47596-8835	2.00(0.079")	WITHOUT ILM COVER
47596-8834	1.57(0.062")	
PART NO.	PCB THICKNESS	DESCRIPTION

ENTER DESCRIPTION  
EC NO: SH2013-0356  
DRWN:YXZHENG 2013/04/23  
CHKD:AYIN 2013/04/23  
APPR:AYIN 2013/05/14

QUALITY SYMBOLS	GENERAL TOLERANCES (UNLESS SPECIFIED)	
	mm	INCH
$F_A=0$	4 PLACES $\pm$ ---	$\pm$ ---
$F_C=0$	3 PLACES $\pm$ ---	$\pm$ ---
$F_D=0$	2 PLACES $\pm$ 0.15	$\pm$ ---
	1 PLACE $\pm$ 0.25	$\pm$ ---
	ANGULAR $\pm 1/2^\circ$	
	DRAFT WHERE APPLICABLE MUST REMAIN WITHIN DIMENSIONS	

DIMENSION STYLE MM ONLY		SCALE 1:1.5	DESIGN UNITS METRIC	THIRD ANGLE PROJECTION
DRAWN BY JZHANG11	DATE 2010/12/10	TITLE 115X ILM AND BACK PLATE ASSEMBLY		
CHECKED BY AYIN	DATE 2010/12/10	MOLEX INCORPORATED		
APPROVED BY AYIN	DATE 2010/12/10	MATERIAL NO. SEE TABLE	DOCUMENT NO. SD-47596-934	SHEET NO. 1 OF 2
THIS DRAWING CONTAINS INFORMATION THAT IS PROPRIETARY TO MOLEX INCORPORATED AND SHOULD NOT BE USED WITHOUT WRITTEN PERMISSION				

9 8 7 6 5 4 3 2 1



BILL OF MATERIAL		
ITEM NO	QTY	DESCRIPTION
	1	TOP ASSY
①	1	115X ILM AND BACK PLATE ASSY
②	1	115X ILM (WITH COVER) ASSEMBLY
③	1	115X BACK PLATE ASSY W/SCREWS

47596-8735	2.00(0.079")	WITH ILM COVER
47596-8734	1.57(0.062")	
PART NO.	PCB THICKNESS	DESCRIPTION

ENTER DESCRIPTION  
 EC NO: SH2013-0356  
 DRWN: YXZHENG  
 CHKD: AYIN  
 APPR: AYIN

REV	DESCRIPTION
D	

QUALITY SYMBOLS	$F_A=0$	4 PLACES	± ---	± ---
	$F_G=0$	3 PLACES	± ---	± ---
	$F_C=0$	2 PLACES	± 0.15	± ---
	$F_B=0$	1 PLACE	± 0.25	± ---
		ANGULAR ± 1/2°		
DRAFT WHERE APPLICABLE MUST REMAIN WITHIN DIMENSIONS				

GENERAL TOLERANCES (UNLESS SPECIFIED)		DIMENSION STYLE MM ONLY		SCALE 1:1	DESIGN UNITS METRIC	THIRD ANGLE PROJECTION
mm	INCH	DRAWN BY JZHANG11	DATE 2010/12/10	TITLE 115X ILM AND BACK PLATE ASSEMBLY		
		CHECKED BY AYIN	DATE 2010/12/10	APPROVED BY AYIN		
			DATE 2010/12/10	MATERIAL NO. SEE TABLE		

MATERIAL NO.		DOCUMENT NO.	SHEET NO.
SEE TABLE		SD-47596-934	2 OF 2
THIS DRAWING CONTAINS INFORMATION THAT IS PROPRIETARY TO MOLEX INCORPORATED AND SHOULD NOT BE USED WITHOUT WRITTEN PERMISSION			