

NUMBER  
C-175601

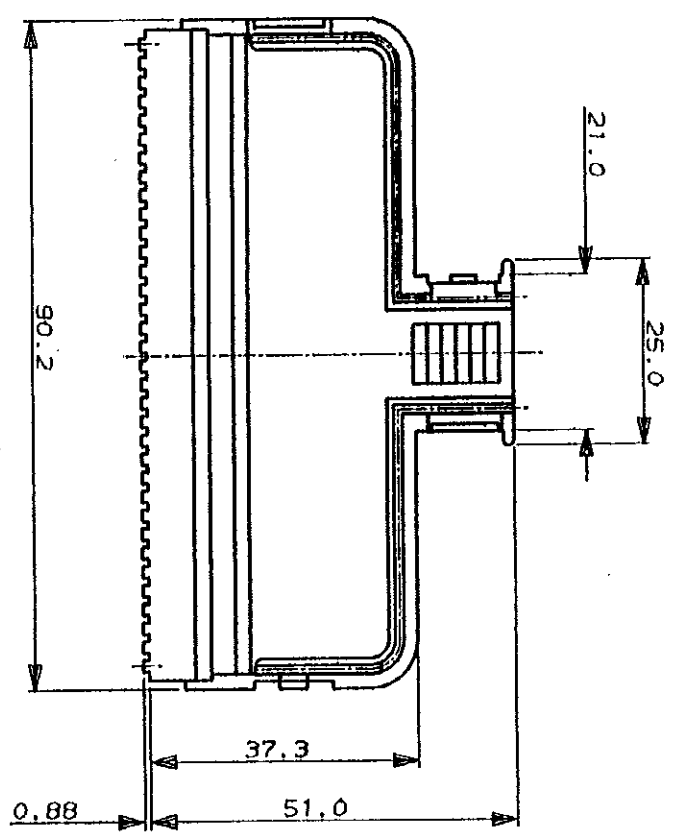
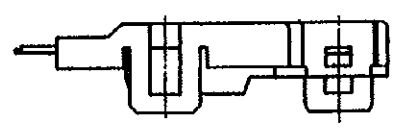
METRIC



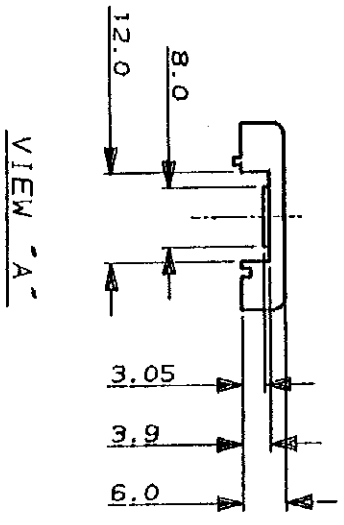
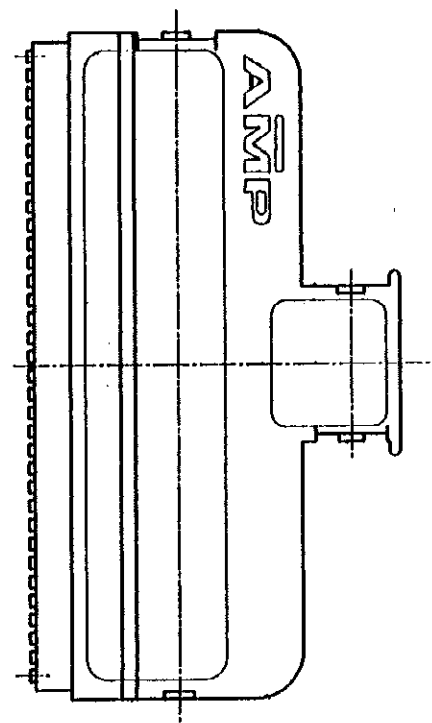
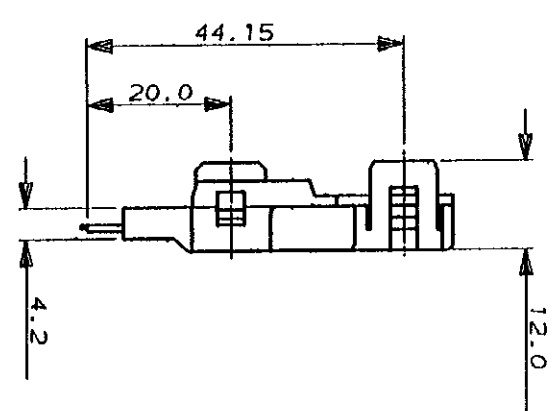
DIMENSIONS IN MILLIMETERS. DO NOT SCALE PRINT

PRINT DIST

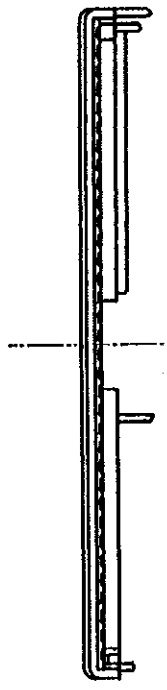
AMP-J  
REV. 10/1/89



VIEW "A"



VIEW "A"



-1; AS SHOWN  
-1;

LTR	REVISION RECORD	DR	CHK	DATE
A	REV 01	DR. H. Amikura	CHK. S. Amikura	4/28/89

© 1989 BY AMP (JAPAN) LTD.  
ALL RIGHTS RESERVED.  
AMP PRODUCTS COVERED BY PATENTS  
AND OR PATENTS PENDING

**AMP**

AMP (JAPAN), LTD.  
Tokyo, Japan

CABLE COVER 68P

5200 CONN. SYSTEM (W-T-B)

WIRE RANGE: 0.15 - 1.0 (mm)  
INSULATION DIA: 9.3-11.2 mm  
MATERIAL: PVC (UL 94V-0)  
FINISH: H

NAME: CABLE COVER 68P  
GENERAL TOLERANCE:  
0-25mm: ±0.2  
25-50mm: ±0.25  
50-100mm: ±0.3  
ANGLES: ±0.5

SIZE: A3  
LOC: J  
NUMBER: C-175601  
SCALE: 1-1  
REV: A  
SHEET: 1 OF 1

CUSTOMER DRAWING