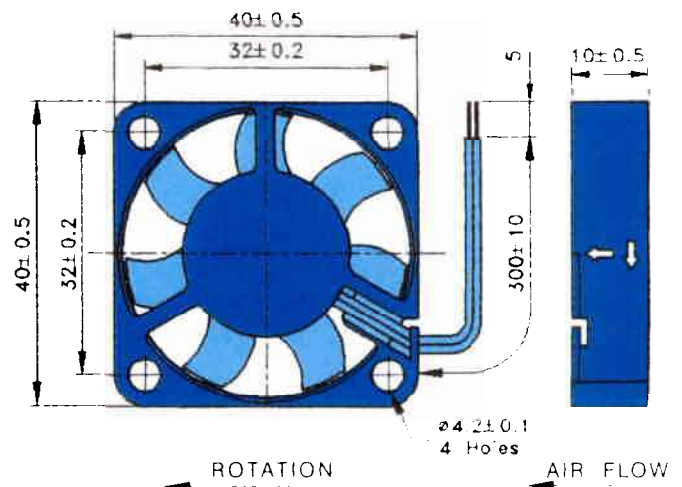
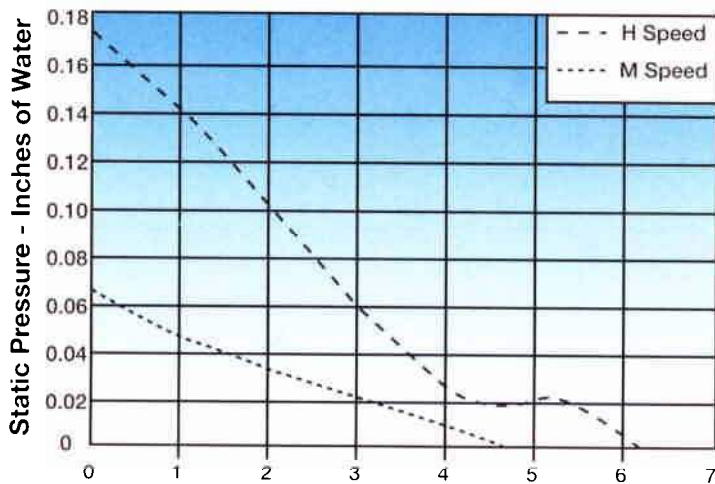


# 40 x 10mm

# Flight<sup>®</sup> LT

## Features:

- Size: 1.57" x .39" wide (40mm x 10mm)
- Air Flow: 4.7 - 6.8 CFM
- Noise: 17.2 - 27.5 dBA
- Operating Voltage: 5, 12, & 24 vdc
- Operating Temperature: -10°C to +70°C
- Storage Temperature: -40°C to +75°C
- Weight: .05 lb (24 g)
- Agencies: UL, CUR, TUV, CE
- Ball Bearing Unit: (Sleeve Bearing Available)



Model No.	Part No.	Voltage Nominal (VDC)	Running Current (amps)	Power (Watts)	RPM	CFM	Static Pressure	Noise (dBA)
* CR0405HB-G70	032604	5	.190	0.95	6000	6.8	.129	27.5
CR0405MB-G70	032606	5	.110	0.55	4200	4.7	.067	17.2
* CR0412HB-G70	032608	12	.100	1.20	6000	6.8	.129	27.5
* CR0412MB-G70	032610	12	.080	0.96	4200	4.7	.067	17.2
† CR0424HB-G70	032612	24	.070	1.68	6000	6.8	.129	27.5
† CR0424MB-G70	032614	24	.050	1.20	4200	4.7	.067	17.2

\* Distributor Item

† Agencies Vary (Consult Factory)

Page 3

DC Tubeaxial Fan

Comair Rotron

2675 Customhouse Court • San Ysidro CA 92173 • Ph (619) 661-6688 Fax (619) 661-1757

E-mail: sales@comairrotron.com • Web: www.comairrotron.com