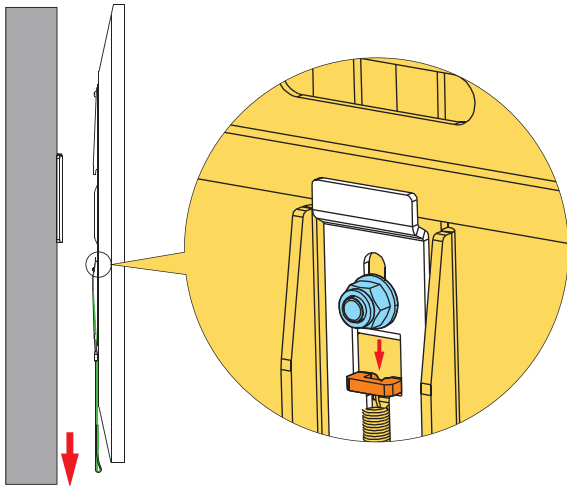
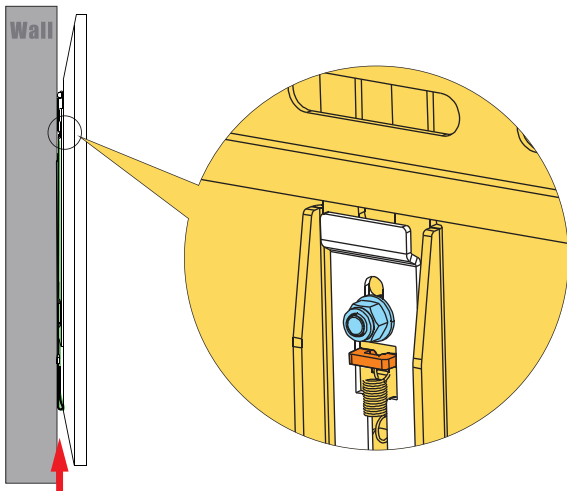


#### 4 Hanging the TV onto the Wall Plate



**Pull**



**Release**



**! HEAVY!**  
Use an assistant for this step.

Using an assistant, hang the TV onto the wall plate carefully. Pull down both ropes to fit the adapter brackets into the wall plate rail.

**! IMPORTANT:**  
Make sure the TV is safely secured before releasing.

Release the ropes to secure the adapter brackets.

#### Maintenance

Please check that the wall mount is secure and safe to use at regular intervals. If you have any questions regarding any of the instructions or warnings, please contact your local distributor (OR) contact QualGear technical support via email at support@qualgear.com.

# QualGear®

INSTALLATION MANUAL

## QG-TM-F-014

### ULTRA LOW PROFILE FIXED TV WALL MOUNT



For Most 32" to 55" Flat Screen TVs and Monitors



**CAUTION!**  
Do not exceed the maximum rated weight specified. Otherwise, serious injury or property damage may occur.



**VESA**  
200x200 | 300x200 | 300x300 | 400x200  
400x300 | 400x400



www.qualgear.com

■ 1 Year Limited Warranty

■ Version August 2015

**NOTE** Please read the entire installation manual before you start installation and assembly.

## WARNING

- Do not begin to install your QualGear product until you have read and understood all the instructions and warnings contained in this installation manual. If you have any questions regarding the instructions, for US customers please contact QualGear customer support via email at support@qualgear.com. For all international customers, please contact your local distributor.
- This product should only be installed by someone of good mechanical aptitude, has experience with basic building construction, and fully understands these instructions.
- This product was designed to be installed and utilized only as specified in this manual. Improper installation of this product may cause damage or serious injury. QualGear is not liable for the improper use or installation of its products.
- Make sure that the supporting surface will safely support the combined load of the equipment and all attached hardware and components.
- Always use an assistant or mechanical lifting equipment to safely lift and position the equipment.
- This product was designed to be installed on the following wall construction only:

### WALL CONSTRUCTION

Wooden Stud  
Wooden Beam  
Solid Concrete  
Other

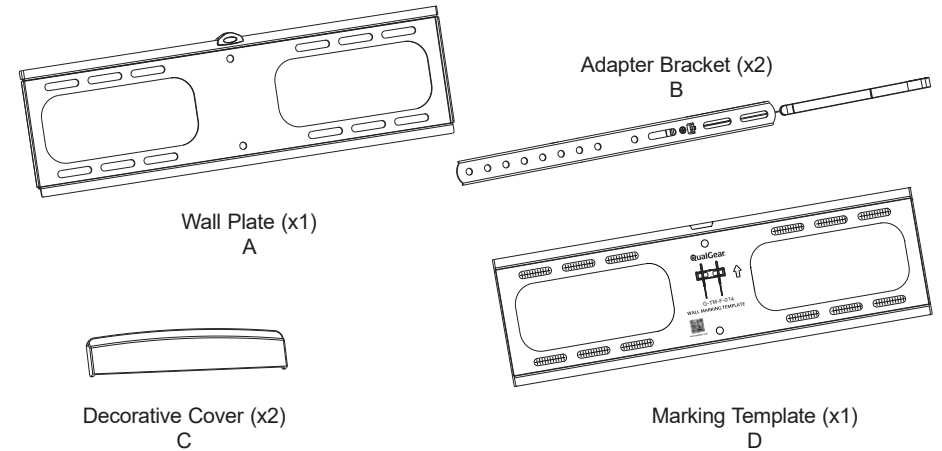
### HARDWARE REQUIRED

Included  
Included  
Included  
Contact Qualified Professional

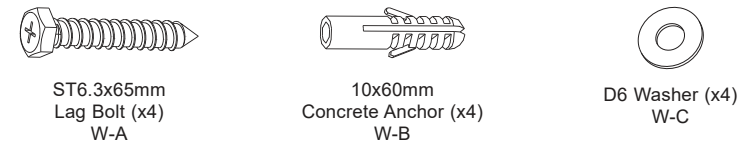
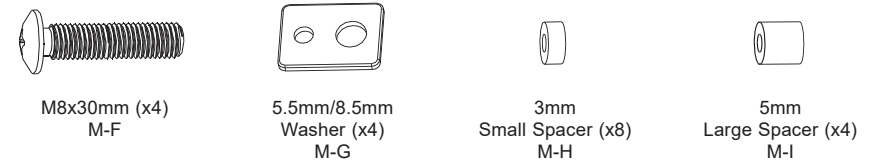
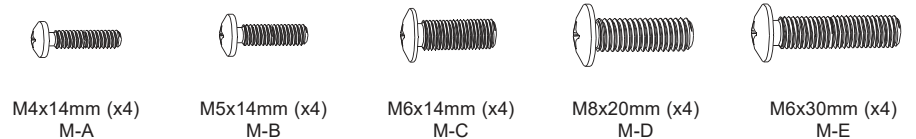
- Tighten screws firmly, but do not over tighten. Over tightening can damage the items, greatly reducing their holding power.
- ALL QUALGEAR products are intended for indoor use only and any outdoor use voids the limited warranty.
- ALL QUALGEAR products are designed and tested for residential use only and any commercial use voids the limited warranty. For warranty information, please visit <http://www.qualgear.com/warranty.php>.
- If mounting to wooden studs, make sure that mounting screws are anchored into the center of the studs. Use of an edge-to-edge stud finder is highly recommended.
- Never exceed the maximum rated weight specified in this manual.
- All bolts and screws must be used at the designated points in the installation instructions to prevent property damage and/or personal injury.
- DO NOT install near air conditioner vents or where there is excessive dust or smoke.
- When drilling holes in the wall, it is very important to take care of electrical cables, water, or gas pipes in the wall.

## Parts Checklist

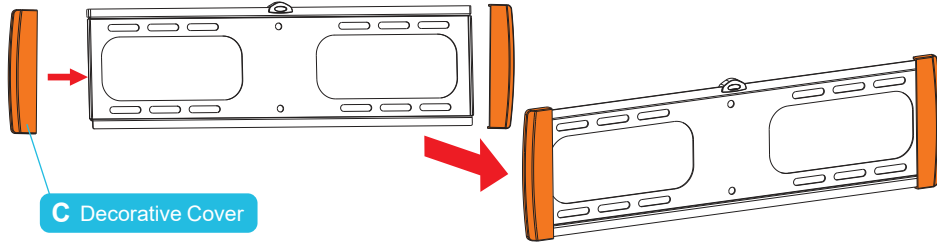
**IMPORTANT:** Before starting installation, please check that all parts shown in this checklist are included. If any parts are missing or damaged, contact your local distributor or support@qualgear.com for replacement parts and do not start assembly and installation until you receive all the parts.



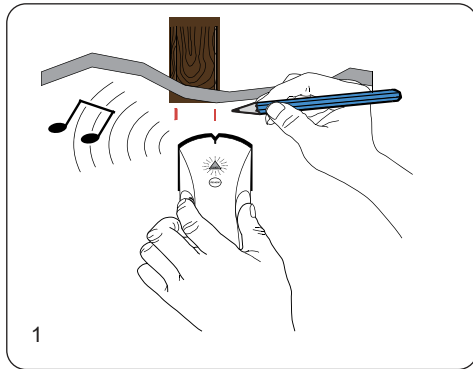
## Hardware Package



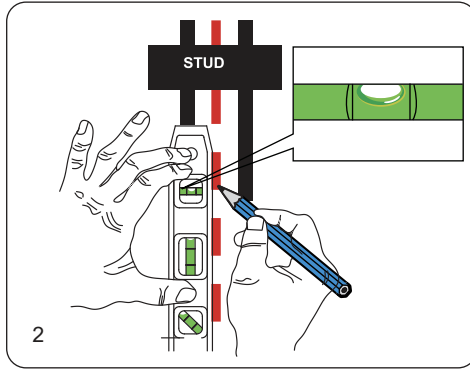
## 1 Installing the Decorative Covers



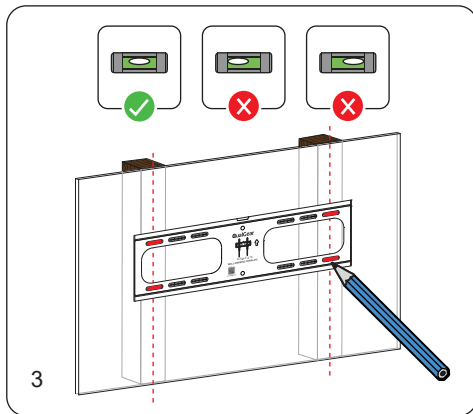
## 2a Mounting to a Wooden Stud Wall



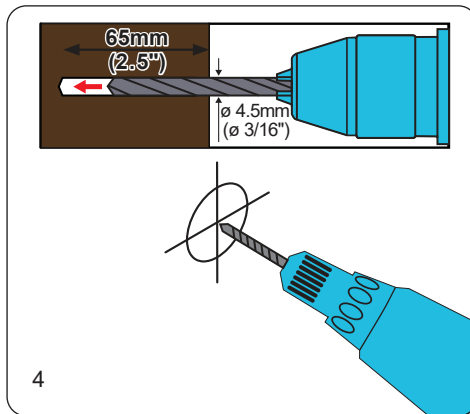
1 Using an edge-to-edge stud finder, find the edges of the stud.



2 Using a level, mark the centerline of the stud.



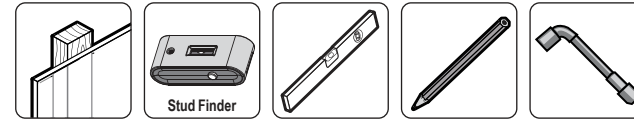
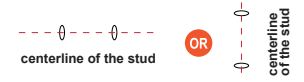
3 Using the marking template (D) provided, mark four holes for drilling on the centerline of the stud.



4 Using a power drill and 3/16" drill bit, drill pilot holes of 3/16" (4.5 mm) diameter and at least 2.5" (65 mm) depth.

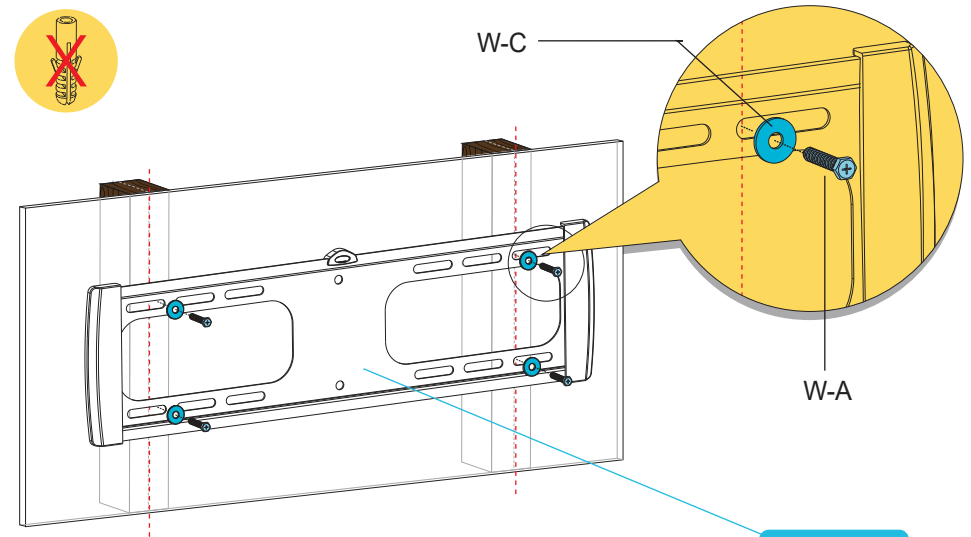
**TIP**

Depending on the direction of the studs, choose the mounting holes accordingly.



**NOTE**

For concrete wall mounting, follow Step 2b.



5 Mount the wall plate (A) and tighten it with the provided lag bolts (W-A) and D6 washers (W-C) using a socket wrench.

**NOTE**

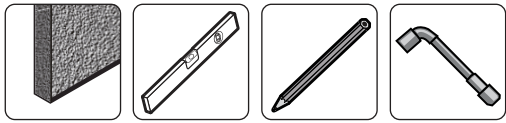
Do NOT use power drill and do NOT over tighten the lag bolts.

## ⚠ WARNING

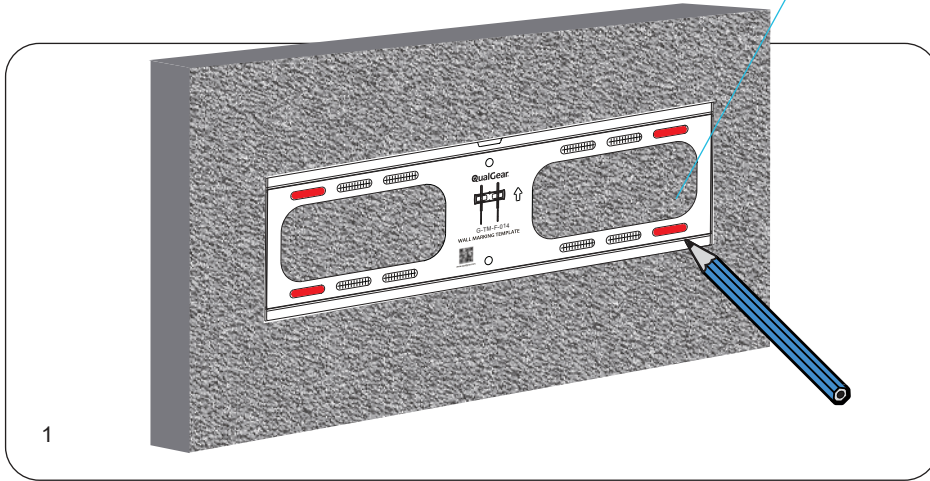
- Make sure that mounting screws are anchored into the center of the studs. The use of a stud finder is highly recommended.
- Installers are responsible to provide hardware for other types of mounting situations.
- Installers must verify that the supporting surface will safely support the combined weight of the equipment and all attached hardware and components.

**SKIP TO STEP 3** →

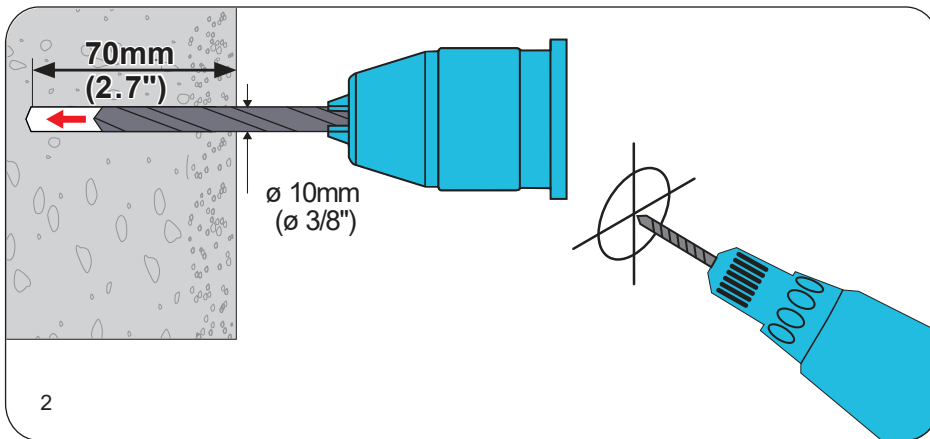
## 2b Mounting to a Concrete Wall



D Marking Template

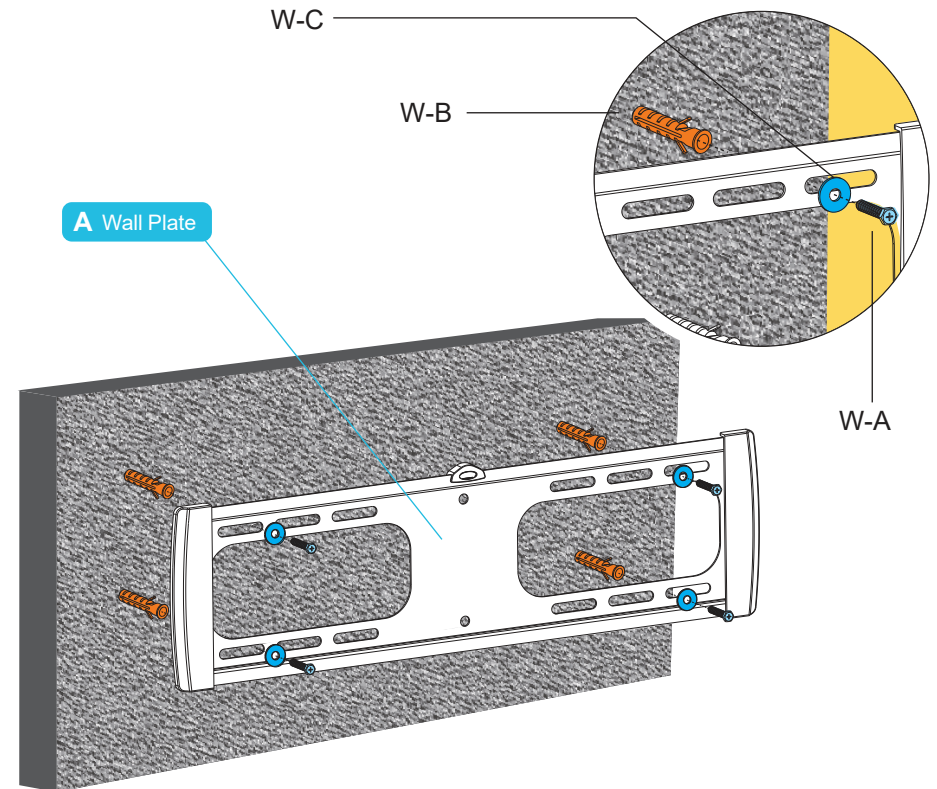


1 Hold the marking template (D) provided against the wall where you want to install your TV, mark four holes for drilling.



2 Using a power drill and a 3/8" masonry drill bit, drill mounting holes of 3/8" (10 mm) diameter and 2.7" (70 mm) depth at the marked locations in the previous step.

**NOTE** Do NOT use power drill and do NOT over tighten the lag bolts.

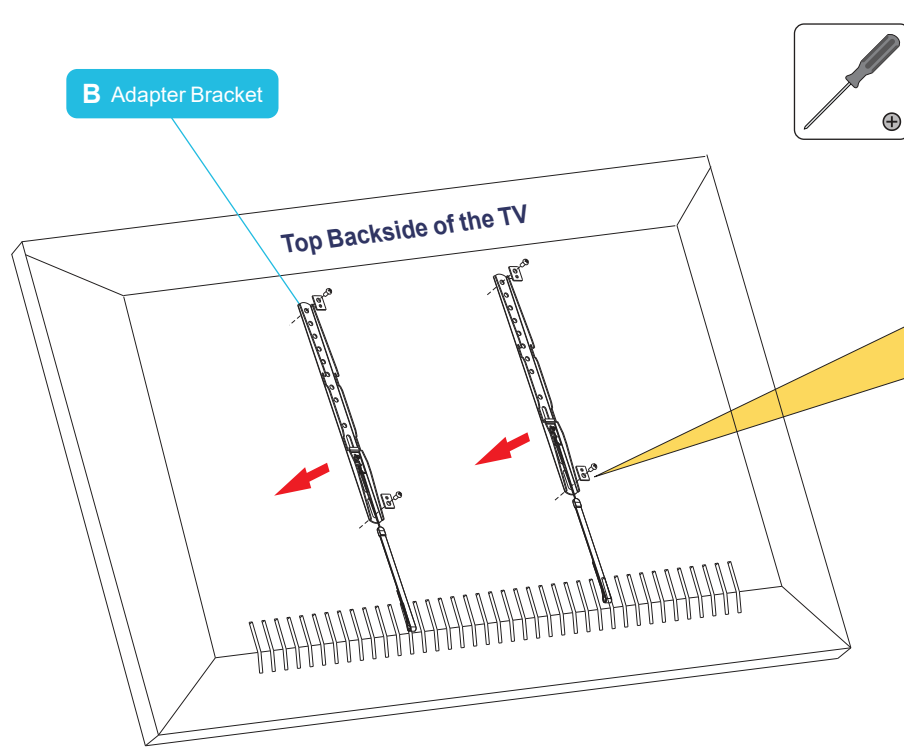


3 Place concrete anchors (W-B) in each hole. Tap each anchor flush with the wall using a hammer. Using a socket wrench, mount the wall plate (A) and fasten them with the provided lag bolts (W-A) and D6 washers (W-C).

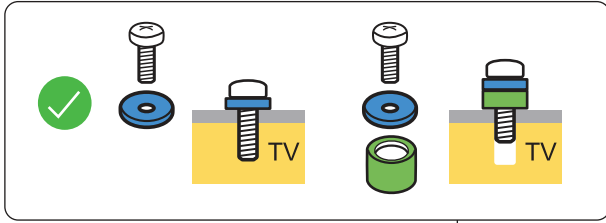
### **WARNING**

- Installers must verify that the supporting surface will safely support the combined weight of the equipment and all attached hardware and components.

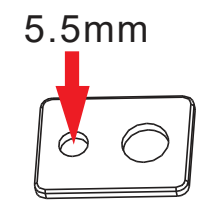
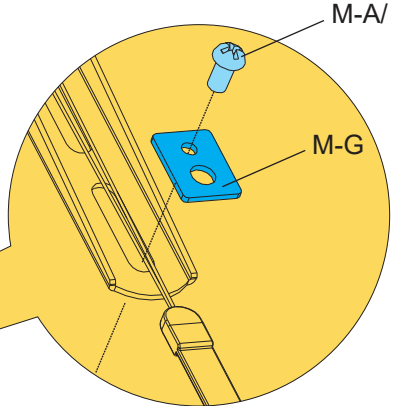
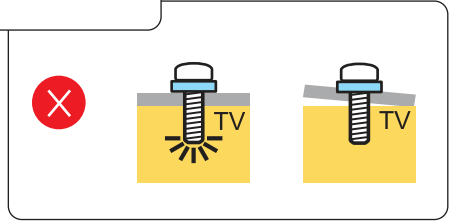
3a Installing to a Flat Back Panel of a TV



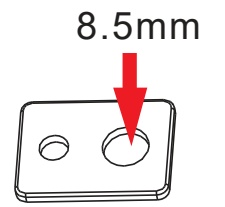
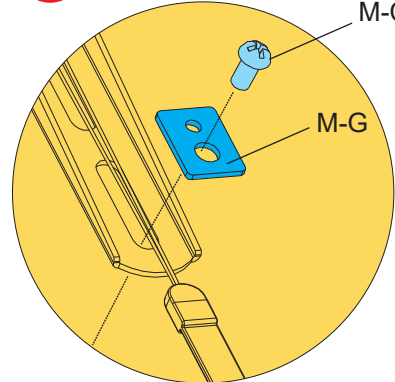
Choose the appropriate screws and washers according to the type of your TV, and attach adapter brackets (B) to the back of the TV using a Phillips screwdriver.



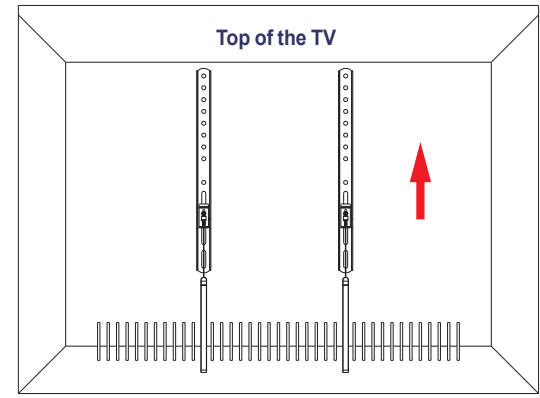
**IMPORTANT!**  
Tighten all screws but do NOT over tighten



OR

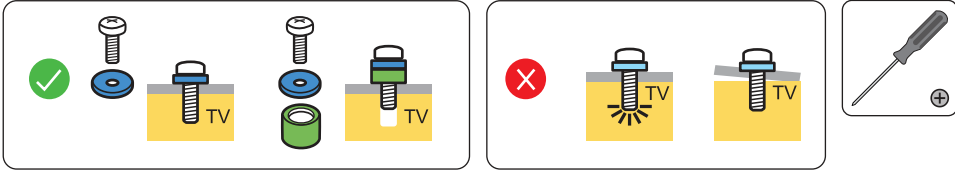


Flat Back Panel



**NOTE** Make sure the adapter brackets are installed in the correct direction.

**3b Installing to a Curved or Recessed Back Panel of a TV**



**IMPORTANT!**  
Tighten all screws but do NOT over tighten

**B Adapter Bracket**

Choose the appropriate screws, washers, and spacers (if necessary) according to the type of your TV and attach adapter brackets (B) to the back of the TV using a Phillips screwdriver.

