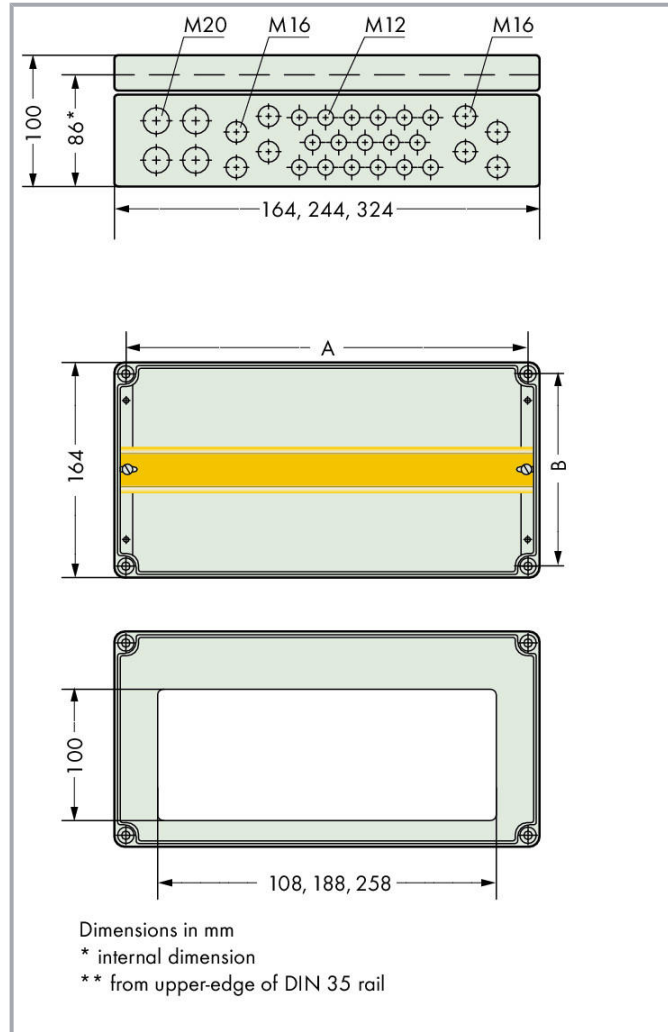


Data sheet | Item number: 850-834

IP65 enclosure; Polyester (RAL 7032); WxHxD (164x100x164 mm); 9 x M12,
4 x M20



www.wago.com/850-834



Item description

* NOTICE:

Fieldbus coupler and end modules must be taken into account!

This applies to 12 mm wide I/O modules. I/O modules with a width of 24 mm count as two I/O modules.

Included:

- Polyester enclosure, glass fiber-reinforced, halogen-free, as V0 version (self-extinguishing)

Subject to changes. Please also observe the further product documentation!

WAGO Kontakttechnik GmbH & Co. KG

Hansastr. 27

32423 Minden

Phone: +49571 887-0 | Fax: +49571 887-169

Email: info.de@wago.com | Web: www.wago.com

Do you have any questions about our products?

We are always happy to take your call at +49 (571) 887-44222.



- Polyamide cover screws, captive
- Inspection glass, incl. attachment panel for customer marking (marking not included in scope of supply)
- Mounting holes (4 mounting channels located outside the sealed enclosure)
- Metric cable grips (polyamide PA 6), incl. filler plugs; M12 cable grip, 3–6 mm cable diameter ; M16 cable grip, 5–9 mm cable diameter; M20 cable grip, 9–13 mm cable diameter
- 1 x DIN 35/7.5 rail
- Oil and petroleum-resistant neoprene round chord seal
- Pebble gray, RAL 7032

Data

Technical data

Number of I/O modules	4
-----------------------	---

Physical data

Width	164 mm / 6.457 inch
Height	100 mm / 3.937 inch
Depth	164 mm / 6.457 inch
Panel cutout (W x H)	(142 x 142) mm

Mechanical data

Cable bushings (number)	9
Cable bushings (type)	M12 (3 ... 6 mm cable diameter)
Number of cable bushings (3)	4
Cable bushings, type (3)	M20 (9 ... 13 mm cable diameter)

Material data

Weight	1422.3 g
--------	----------

Environmental requirements

Protection type	IP65
-----------------	------

Commercial data

Product Group	15 (Remote I/O)
PU (SPU)	1 Stück
Packaging type	box
Country of origin	DE

Subject to changes. Please also observe the further product documentation!



GTIN	4017332819626
Customs tariff number	85381000900

Downloads

Documentation

Bid Text

850-834 X81 - Datei	Feb 19, 2019	xml 4.5 kB	Download
------------------------	--------------	---------------	----------

850-834 doc - Datei	Oct 9, 2017	doc 32.3 kB	Download
------------------------	-------------	----------------	----------

System Description

IP65 System Housing		pdf 490.1 kB	Download
---------------------	--	-----------------	----------

CAD/CAE-Data

CAE data

WSCAD Universe 850-834		URL	Download
------------------------	--	-----	----------

EPLAN Data Portal 850-834		URL	Download
---------------------------	--	-----	----------

Environmental Product Compliance

Compliance Search

Environmental Product Compliance 850-834 IP65 enclosure; Polyester (RAL 7032); WxHxD (164x100x164 mm); 9 x M12, 4 x M20		URL	Download
--	--	-----	----------

Installation Notes

Subject to changes. Please also observe the further product documentation!

WAGO Kontakttechnik GmbH & Co. KG
Hansastr. 27
32423 Minden
Phone: +49571 887-0 | Fax: +49571 887-169
Email: info.de@wago.com | Web: www.wago.com

Do you have any questions about our products?
We are always happy to take your call at +49 (571) 887-44222.