

Contents

| | | |
|----------|----------------------------------------------------|-----------|
| 1 | Introduction | 6 |
| 2 | Hardware Connections..... | 7 |
| 2.1 | USB connection to PC | 7 |
| 2.2 | Power options | 7 |
| 2.2.1 | USB Power..... | 8 |
| 2.2.2 | Wall socket Supply..... | 8 |
| 2.2.3 | Battery / Bench Supply | 9 |
| 2.3 | Minicard Types..... | 9 |
| 2.3.1 | DSP Minicard..... | 10 |
| 2.3.2 | Codec Minicard..... | 10 |
| 2.3.3 | Microphone Minicards..... | 10 |
| 2.4 | Expansion Headers..... | 10 |
| 2.5 | Buttons / Switches..... | 11 |
| 2.6 | LED indicators..... | 11 |
| 2.7 | Other Headers..... | 12 |
| 2.7.1 | I2C/SPI (Aardvark)..... | 12 |
| 2.7.2 | JTAG | 12 |
| 2.7.3 | SLIMbus..... | 12 |
| 2.8 | Jumper Links..... | 13 |
| 3 | Driver Installation and WISCE Support | 15 |
| 3.1 | WISCE™ Device Pack..... | 15 |
| 3.2 | Minimum WISCE™ Version..... | 15 |
| 3.3 | Controlling Lochnagar 2..... | 16 |
| 3.4 | Lochnagar 2 Firmware Update | 16 |
| 3.4.1 | Hardware setup during update | 16 |
| 3.4.2 | Optional Update..... | 17 |
| 3.4.3 | Forced Update..... | 17 |
| 3.4.4 | Updating the Firmware..... | 18 |
| 4 | Clocking..... | 19 |
| 4.1 | Configuring Clock Routing | 19 |
| 4.2 | Clock Setup Guide | 19 |
| 4.2.1 | Example Configuration | 20 |

| | | |
|----------|--------------------------------------------------|-----------|
| 4.3 | Descriptions of clock sinks and sources | 20 |
| 4.3.1 | <i>List of Clock Sinks</i> | 20 |
| 4.3.2 | <i>List of Clock Sources</i> | 21 |
| 5 | Digital Audio | 22 |
| 5.1 | Digital Audio Connection Diagrams | 22 |
| 5.2 | Configuring Digital Audio Routing | 23 |
| 5.2.1 | <i>BCLK / LRCLK Routing Operation</i> | 23 |
| 5.2.2 | <i>High Frequency Mode</i> | 24 |
| 5.2.3 | <i>Example Configuration</i> | 24 |
| 5.2.4 | <i>Advanced Clocking Configurations</i> | 24 |
| 5.3 | AIF interfaces on codec minicard..... | 25 |
| 5.4 | AIF interfaces on the expansion headers | 25 |
| 5.5 | PSIA Headers | 25 |
| 5.6 | S/PDIF and ADAT | 26 |
| 5.6.1 | <i>Standard use cases</i> | 26 |
| 5.6.2 | <i>Advanced use cases</i> | 27 |
| 5.7 | Sound Card | 28 |
| 5.7.1 | <i>Sound Card Audio Format</i> | 28 |
| 5.7.2 | <i>Enabling the Sound Card</i> | 29 |
| 5.8 | Descriptions of AIF sinks and sources..... | 30 |
| 5.8.1 | <i>List of AIF Sinks</i> | 30 |
| 5.8.2 | <i>List of AIF Sources</i> | 31 |
| 6 | USB Audio Streaming | 32 |
| 6.1 | CLUSBAudio Control Panel | 32 |
| 6.2 | Using Lochnagar 2 with Windows DirectSound | 34 |
| 6.3 | Using Lochnagar 2 with WASAPI | 35 |
| 6.4 | Using Lochnagar 2 with ASIO | 36 |
| 6.4.1 | <i>Adobe Audition Setup</i> | 36 |
| 6.4.2 | <i>Foobar Setup</i> | 37 |
| 6.5 | I2S Format on Lochnagar 2 | 39 |
| 7 | I2S TDM | 40 |
| 7.1 | I2S TDM Mux/Demux Operation..... | 40 |
| 7.2 | Configuring the I2S TDM Peripheral | 41 |
| 7.2.1 | <i>Example Configuration</i> | 41 |

| | | |
|-----------|------------------------------------------------|-----------|
| 7.2.2 | Description of I2S TDM sinks and sources | 42 |
| 7.3 | Clocking Restrictions..... | 42 |
| 8 | Analogue Audio | 43 |
| 8.1 | Analogue Port Connection Diagrams..... | 43 |
| 8.2 | Configuring Analogue Audio Routing..... | 44 |
| 8.2.1 | Save Settings to Profile..... | 44 |
| 8.3 | RCA Phono Input Ports..... | 44 |
| 8.3.1 | P1 phono inputs..... | 44 |
| 8.3.2 | P2 phono inputs..... | 45 |
| 8.3.3 | Input BIAS..... | 46 |
| 8.4 | Analogue/Digital Microphones | 46 |
| 8.4.1 | MICBIAS..... | 46 |
| 8.4.2 | Analogue Mics..... | 47 |
| 8.4.3 | Digital Mics | 47 |
| 8.5 | RCA Phono Output Ports..... | 48 |
| 8.5.1 | P3 phono outputs..... | 48 |
| 8.5.2 | P4 phono output..... | 48 |
| 8.6 | Speaker Outputs | 49 |
| 8.7 | Analogue I/O on the minicard | 49 |
| 9 | GPIOs | 50 |
| 9.1 | Setting up GPIO routing | 50 |
| 9.2 | GPIO level..... | 51 |
| 9.3 | Lochnagar 2 on-board GPIOs/LEDs | 51 |
| 9.4 | GPIOs on Codec Minicards | 52 |
| 9.5 | Descriptions of GPIO sinks and sources | 53 |
| 9.5.1 | GPIO Sink List..... | 53 |
| 9.5.2 | GPIO Source List..... | 54 |
| 10 | JTAG | 55 |
| 10.1 | Required Chess toolchain update..... | 55 |
| 10.2 | JTAG configuration | 55 |
| 10.2.1 | Example configuration..... | 56 |
| 11 | SLIMbus..... | 58 |
| 11.1 | SLIMbus Header | 59 |
| 11.2 | SLIMbus through Expansion Headers | 59 |

| | | |
|-----------|--------------------------------------------------------------------------|-----------|
| 12 | Power | 60 |
| 12.1 | Configuring Power Options | 60 |
| 12.2 | MICVDD Options..... | 60 |
| 12.2.1 | <i>Example Configuration</i> | 61 |
| 13 | Current Monitor | 62 |
| 13.1 | Lochnagar 2 Power Rails | 62 |
| 13.1.1 | <i>Monitored Voltage Rails</i> | 62 |
| 13.1.2 | <i>Unmonitored Voltage Rails</i> | 63 |
| 13.2 | Current Monitor Plugin | 63 |
| 13.2.1 | <i>Voltage / Current Rail Selection</i> | 64 |
| 13.2.2 | <i>Power Measurement</i> | 64 |
| 13.2.3 | <i>Measurement Modes</i> | 64 |
| 13.2.4 | <i>Samples/Reading</i> | 64 |
| 13.2.5 | <i>Export Measurements</i> | 65 |
| 13.2.6 | <i>Save/Load/Restore Settings</i> | 65 |
| 13.2.7 | <i>Board Temperature</i> | 65 |
| 14 | Example Setup Scripts | 66 |
| 14.1 | WISCE™ Profile Scripts | 66 |
| 14.2 | Lochnagar 1 and Lochnagar 2 Register Compatibility | 66 |
| 14.3 | Details of Scripts Provided | 67 |
| 14.3.1 | <i>Configuration Template Script</i> | 67 |
| 14.3.2 | <i>Lochnagar Setup Scripts</i> | 68 |
| 15 | Troubleshooting | 69 |
| 15.1 | Lochnagar 2 Drivers in Device Manager | 69 |
| 15.2 | Common issues with Lochnagar 2..... | 69 |
| 15.2.1 | <i>Audio Driver Issue: Drivers reinstalled while audio playing</i> | 69 |
| 15.2.2 | <i>COM Port Issue: Run out of COM port numbers</i> | 70 |
| 15.2.3 | <i>Lochnagar 2 does not appear in WISCE</i> | 70 |
| 16 | Contacting Cirrus Logic Support | 71 |

1 Introduction

Lochnagar 2 (6271-EV2) is the next generation evaluation and development board for Cirrus Logic Smart Codec and Amps devices. It is designed to provide a variety of audio inputs and outputs to the Cirrus devices and to allow for configuration and programming them in a variety of possible use cases.

Lochnagar 2 is the same form factor as the original Lochnagar board and is compatible with the same Smart Codec and Amp minicards. It provides all the same functionality as the previous generation, and in addition adds many new features and capabilities. This includes the ability to stream up to 16 channels of USB audio, and built-in current monitor feature that allows the power consumption of the Cirrus devices to be measured without any external equipment.

This document describes the features and usage of Lochnagar 2 in detail. The first two sections deal with the initial steps of hardware configuration and driver installation. The sections after this detail each of the features of the board and how to set it up in any potential use case. The final sections detail how to use the setup scripts provided with the Lochnagar 2 Device Pack and a guide on troubleshooting the board if any problems occur.

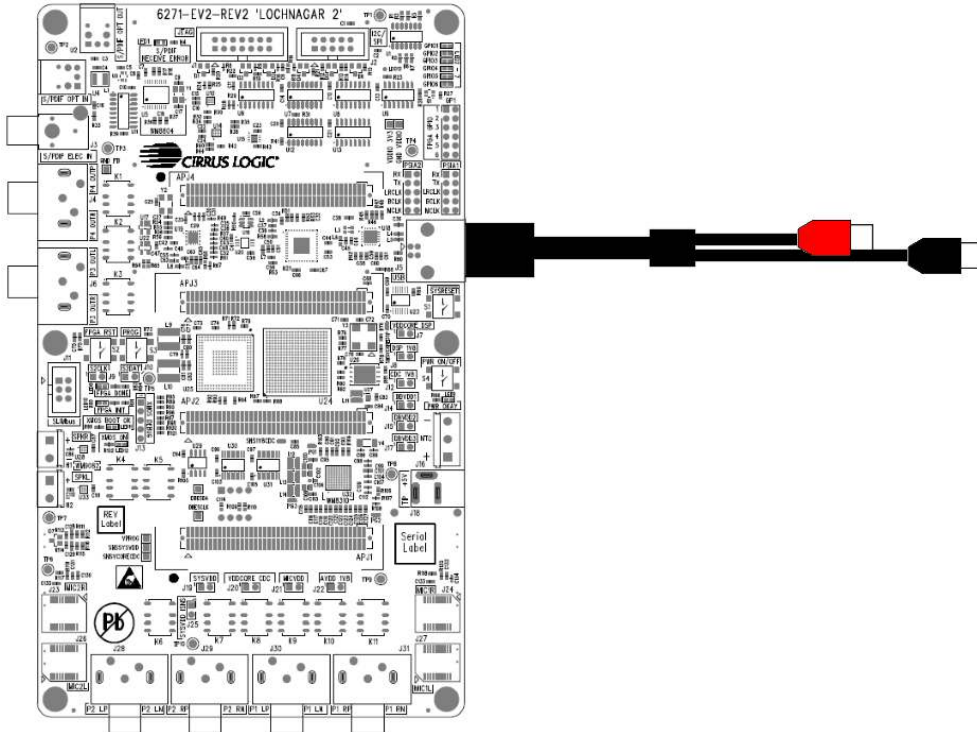
2 Hardware Connections

2.1 USB connection to PC

Lochnagar 2 is powered and controlled via a single USB connection. This provides:

- Power
- I2C/SPI communications to control device and board
- JTAG communications for DSP debug
- Multichannel USB streaming audio (USB class 2)
- USB serial port to communicate with Cirrus devices with UART interfaces

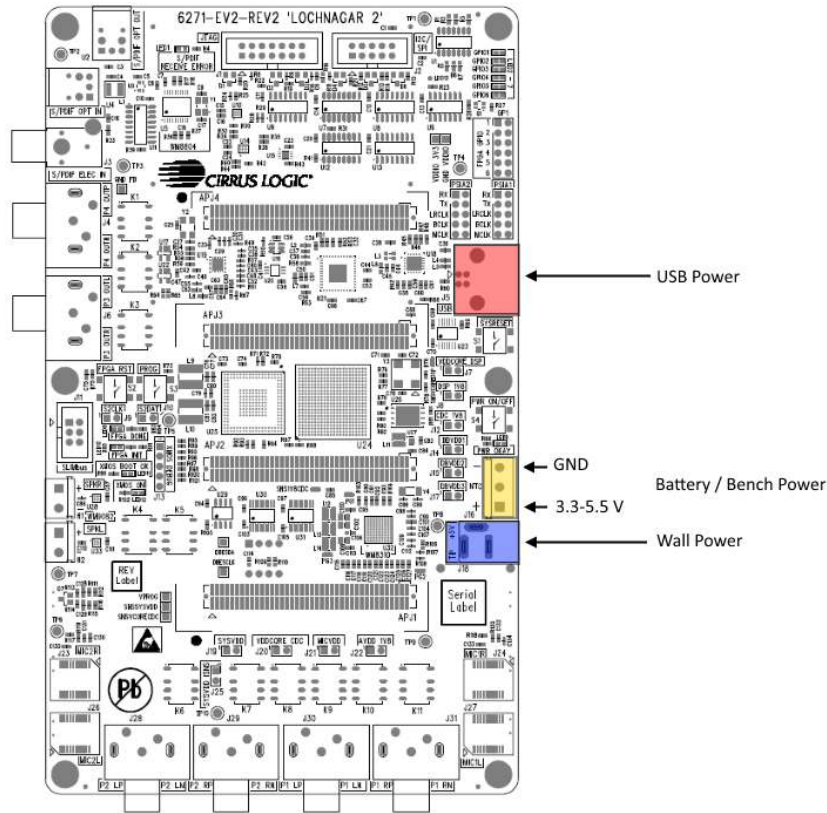
The board is provided with a Y-shaped USB cable, connecting a single USB B socket on Lochnagar 2 to two USB A ports on the computer (Black plug for power + communications, Red for power only). Both USB connectors must be plugged in to allow for the power consumption of the board.



A Total Phase Aardvark connector is **NOT** required for Lochnagar 2 to operate, and neither does it require a separate power supply. All power and communications is provided to the board via this single USB link.

2.2 Power options

For most use cases, the provided USB cable is enough to power the entire board. In some scenarios, especially those using speakers, it may be necessary to plug a second power source into the Lochnagar 2 board. The onboard WM8310 PMIC will select the highest voltage from each of the three potential power supply inputs and use this to power the board's main SYSVDD bus. This is nominally 5V, but may be lower if a battery is used to supply the board.



2.2.1 USB Power

As described in the [USB Connection to PC](#) section, this is the normal mode of operation for the Lochnagar 2 board. For most use cases, USB power alone is adequate and there is no need to connect any additional power supplies to the board.

To be certain of getting the full 900 mA maximum input current supported by Lochnagar 2 USB connection, it is vital to ensure that a Y-shaped dual-USB cable is used and that both ends are plugged in at the PC end. If a USB hub is used, then it is also important to use a self-powered USB hub with a wall power connection, as otherwise it may not be able to supply enough current.

2.2.2 Wall socket Supply

Lochnagar 2 provides a socket to accept 5V input from a dedicated wall supply.

It may be necessary to plug in the Wall supply as well as the USB connector for more power-hungry use-case scenarios such as those involving speakers.

The wall power connector J30 is positive tip (Tip = +5V), in contrast to the original Lochnagar board which used negative tip.

Protection diodes are fitted to prevent damage if a negative tip supply is inserted.

2.2.3 Battery / Bench Supply

Lochnagar 2 has three screw terminals which allow either a battery or a bench-top power supply unit to be plugged into the board.

It may be necessary to plug in a bench supply as well as the USB connector for more power-hungry use-case scenarios such as those involving speakers.

This input is nominally expected to be a 4.2 V battery, but the terminals can accept anything from 3.3 - 5.5 V. The terminals are marked with + and - symbols on the silkscreen to denote power and ground respectively.

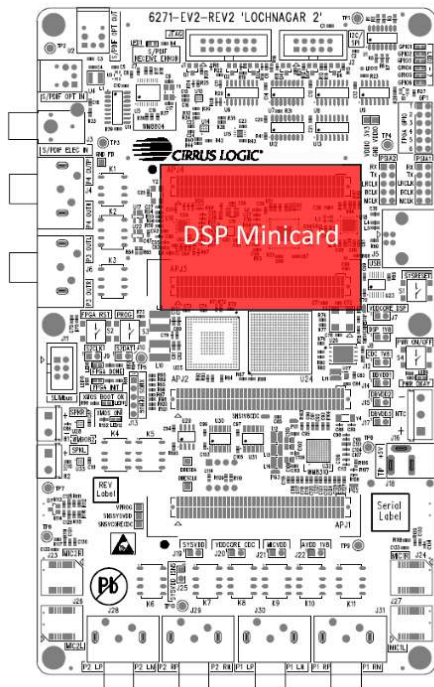
Note that when the battery / bench supply is used as the sole power source for the board, the PWR ON/OFF button (S4) must be held down in order to power the board. This is in contrast to the other supply options, where the board will automatically power on as soon as the Wall or USB connector are plugged in.

2.3 Minicard Types

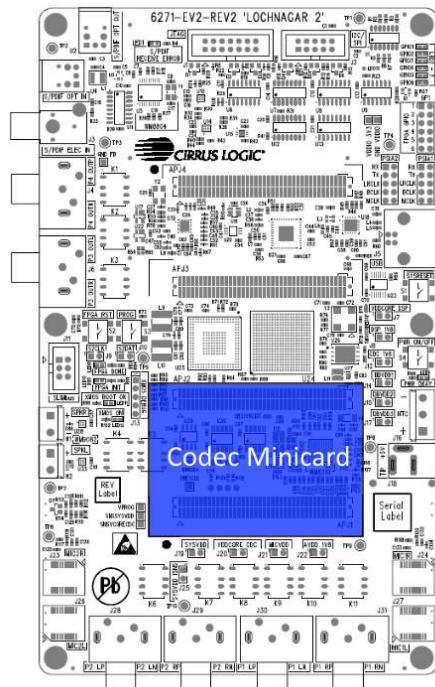
Lochnagar 2 works with interchangeable minicards to allow for a variety of Smart Codec devices. The minicard connectors are fully backwards compatible with the original Lochnagar board.

Minicards should not be inserted or removed while the Lochnagar 2 board is powered. If using the Wall Socket or Battery / Bench Screw Terminals for board power, then it is recommended to fully disconnect or power down the external supply before changing minicards.

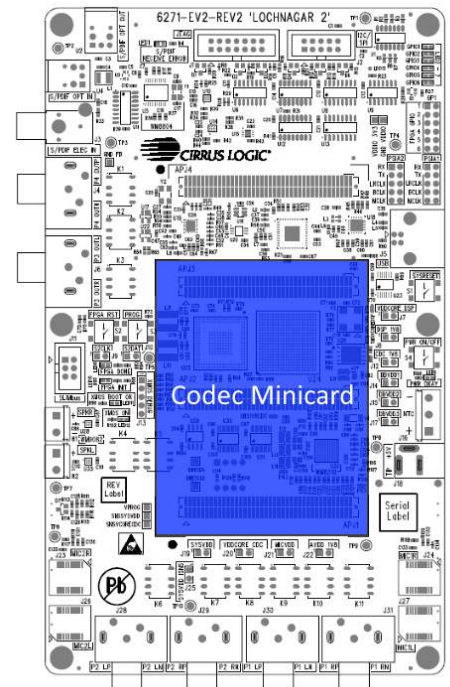
There are three main categories of minicard that can connect to Lochnagar 2.



DSP minicard



Codec minicard (2-header)



Codec minicard (3-header)

2.3.1 DSP Minicard

This type of minicard was designed for an older range of sidecar DSPs that sit alongside a Codec minicard.

DSP minicards connect to the top two headers on the Lochnagar 2 board.
There are no current product lines that use the DSP minicard slot.

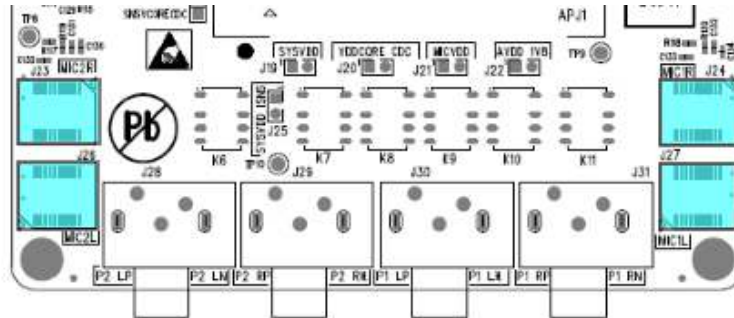
2.3.2 Codec Minicard

Codec minicards house Cirrus Codec and Smart Codec type devices. Smart Codecs include a built-in DSP, but are not classed as "DSP" minicards.

Traditionally Codec minicards connect to the lower two headers on the Lochnagar 2 board.
However, some of the larger Smart Codec devices extend onto the third header in order to make use of the extra I/O.
These cards cannot be used alongside a DSP minicard.

2.3.3 Microphone Minicards

There are four microphone slots on the bottom of the Lochnagar 2 board.

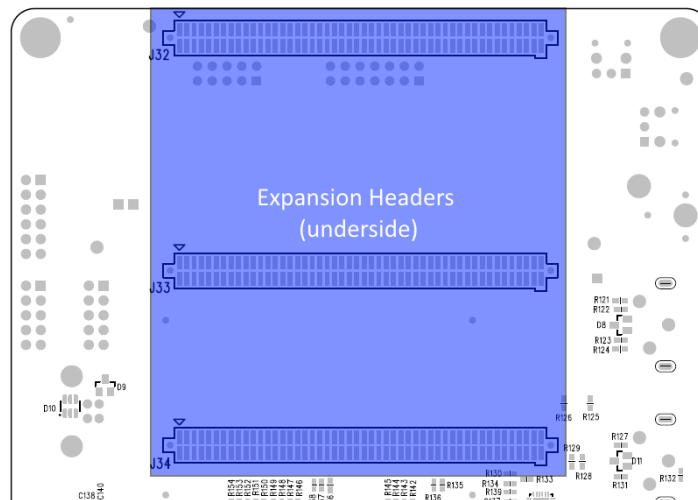


These are designed to accept Cirrus Digital and Analogue microphone minicards.

2.4 Expansion Headers

There are three Expansion Headers on the underside of Lochnagar 2.

These are designed to connect the board to other test hardware. They are commonly used to connect Lochnagar 2 to a Linux Application Processor system.



2.5 Buttons / Switches

There are four push buttons on the Lochnagar 2 board connected with power and reset functionality.

| Part Number | Name | Description |
|-------------|------------|---------------------------------------------------------------------------------------------------------------------------------------------------|
| S1 | SYSRESET | Resets all power rails on the board, returning all components to default state inc. Codec and FPGA |
| S2 | FPGA RST | Resets all FPGA registers |
| S3 | PROG | Resets FPGA operation, forcing a reprogram from EEPROM This will also reset all FPGA registers and re-initialise other components on the board |
| S4 | PWR ON/OFF | Press when powered off: Power on the board Hold down for 2 seconds: Power off the board |

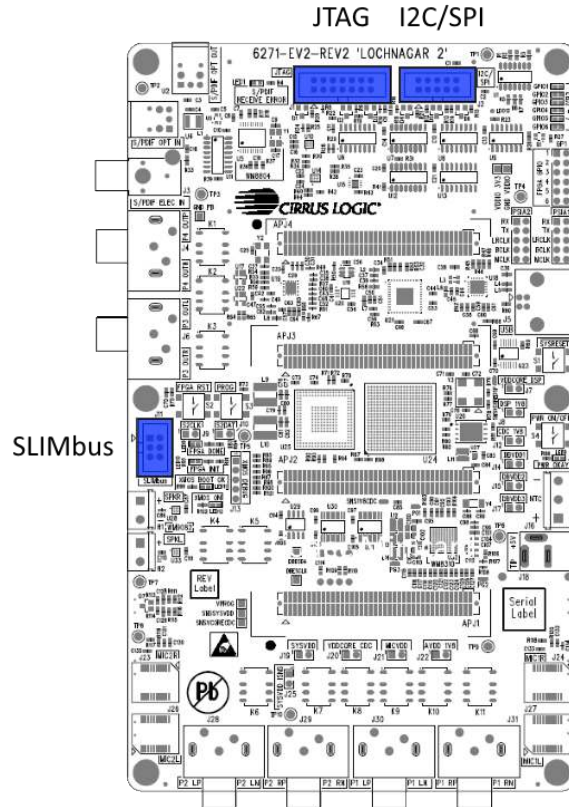
2.6 LED indicators

There are six status LEDs on Lochnagar that indicate the board's current state of operation

| Part Number | Colour | Name | Normally lit? | Description |
|-------------|--------|----------------------|---------------|-------------------------------------------------------------------------------------------------------------|
| LED1 | Red | S/PDIF RECEIVE ERROR | No | Set to red when there is an error receiving S/PDIF signals |
| LED2-7 | Green | GPIO1 - GPIO6 | No | Tied to FPGA GPIOs 1 to 6. |
| LED8 | Green | FPGA DONE | Yes | Indicates that the FPGA booted successfully |
| LED9 | Green | PWR OK | Yes | Indicates the Lochnagar 2 board has power applied |
| LED10 | Red | FPGA INIT | No | Indicates that the FPGA is currently initialising. Should flicker once upon board startup/power applied. |
| LED11 | Green | XMOS BOOT OK | Yes | Indicates that the XMOS USB transceiver chip booted correctly |
| LED12 | Green | XMOS ON | Yes | Indicates that the XMOS USB transceiver chip is powered |

2.7 Other Headers

There are several other headers on the Lochnagar 2 board that allow for connections to other systems.



2.7.1 I2C/SPI (Aardvark)

Header J2 (I2C/SPI) is designed to connect to Total Phase Aardvark systems for legacy compatibility with the original Lochnagar board.

All I2C/SPI communications for most use cases is now expected to go through the standard USB/XMOS link that also powers the board and provides USB Audio streaming capability. However, the Aardvark can still be used for legacy applications or as a slave to test SPI master peripherals on the minicard.

2.7.2 JTAG

Header J1 (JTAG) is designed to connect to Macraigor usbWiggler JTAG systems for legacy compatibility with the original Lochnagar board.

As with the I2C/SPI communications, JTAG functionality is now possible using the standard USB link that also powers the board and provides USB Audio streaming. It is still possible to use the Macraigor through this header if required. USB is the default option within the register map.

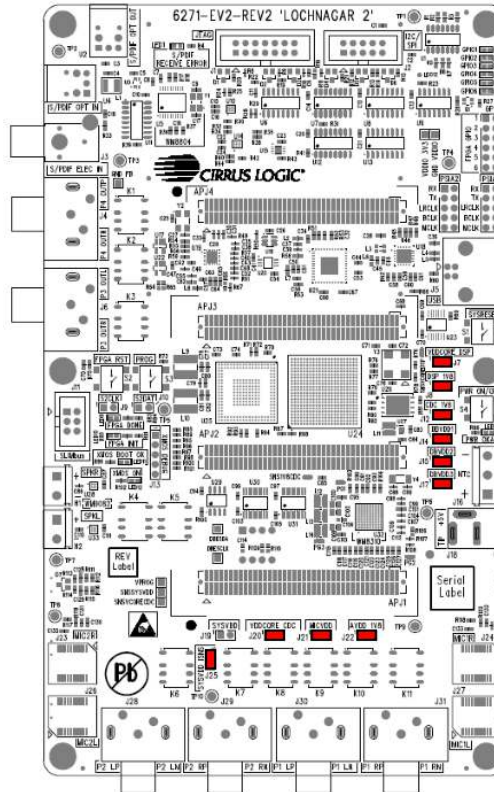
2.7.3 SLIMbus

A 2x3 box header is provided to connect Lochnagar 2 to LnK SLIMbus test systems.

2.8 Jumper Links

Lochnagar 2 has removed most of the jumpers from the original Lochnagar board, and replaced them with relay switches. All analogue audio routing is now controlled via the FPGA register map.

There are 11 jumpers on the Lochnagar 2 board. These are all related to power supply rails.



These jumpers allow you to either isolate certain supply rails from the minicard, or insert a series ammeter between the two pins in order to measure current consumption on individual rails.

No jumper should be fitted over J19 (SYSVDD), as this will prevent the built-in current monitor circuitry from working correctly.

| Header | Power Rail | Default Voltage | Jumper default |
|--------|-------------|---------------------------------------------------------------------------------------------------------------------------------------------------|------------------|
| J7 | VDDCORE DSP | 1.2 V | On (fitted) |
| J8 | DSP 1V8 | 1.8 V | On (fitted) |
| J12 | CDC 1V8 | 1.8 V | On (fitted) |
| J14 | DBVDD1 | 1.8 V | On (fitted) |
| J15 | DBVDD2 | 1.8 V | On (fitted) |
| J17 | DBVDD3 | 1.8 V | On (fitted) |
| J19 | SYSVDD | Alternative SYSVDD jumper connection bypassing the current sense circuitry. Should only be used if the current sense circuitry is causing issues. | Off (not fitted) |

| Header | Power Rail | Default Voltage | Jumper default |
|--------|-------------|----------------------------------------------------------|----------------|
| J20 | VDDCORE CDC | 1.2 V | On (fitted) |
| J21 | MICVDD | 1.8 V | On (fitted) |
| J22 | AVDD 1V8 | 1.8 V | On (fitted) |
| J25 | SYSVDD ISNS | Highest of Wall, USB and battery supplies Normally 5V | On (fitted) |

Note that these power rail names refer to the rails on the Lochnagar 2 board and may not directly correspond to the rails on the device/minicard. This depends entirely upon the schematic designer of the codec minicard, and how they have decided is the best method to connect the DUT to the Lochnagar system. Always refer to the board schematics if there is any doubt.

(For example, recent codec minicards such as Moon CDB47L91-M-1 do not use the DBVDD1, DBVDD2, DBVDD3, AVDD_1V8 rails, but instead derive all 1.8V rails from the single 1V8_CDC supply rail on Lochnagar and split the rails on the minicard).

3 Driver Installation and WISCE Support

3.1 WISCE™ Device Pack

In order to communicate with the Lochnagar 2 board, WISCE™ needs the Lochnagar 2 Device Pack to be installed.

This automatically installs:

- Latest version of Lochnagar 2 board firmware
 - Use WISCE plugin to start the update
- Lochnagar 2 configuration plugin for WISCE™
- Current Monitor plugin for WISCE™ to monitor current on selected supply rails
- Lochnagar 2 ASIO drivers for USB audio
- Lochnagar 2 SPI/I2C communications driver
- Register map description for WISCE™
- Sample WISCE™ configuration scripts for the board

If upgrading...

Close all audio streaming applications (eg. Adobe Audition or Foobar) before upgrading your Lochnagar 2 drivers to the latest version.

If an application is streaming audio (or has an open connection to the driver) during the installation process, the driver installation will not be successful. The system will present itself as a "USB Composite Device" and attempts to automatically install the drivers will generate the error "This device cannot start. (Code 10)."

If this happens, the solution is to close all applications and re-install the Device Pack again from scratch.

3.2 Minimum WISCE™ Version

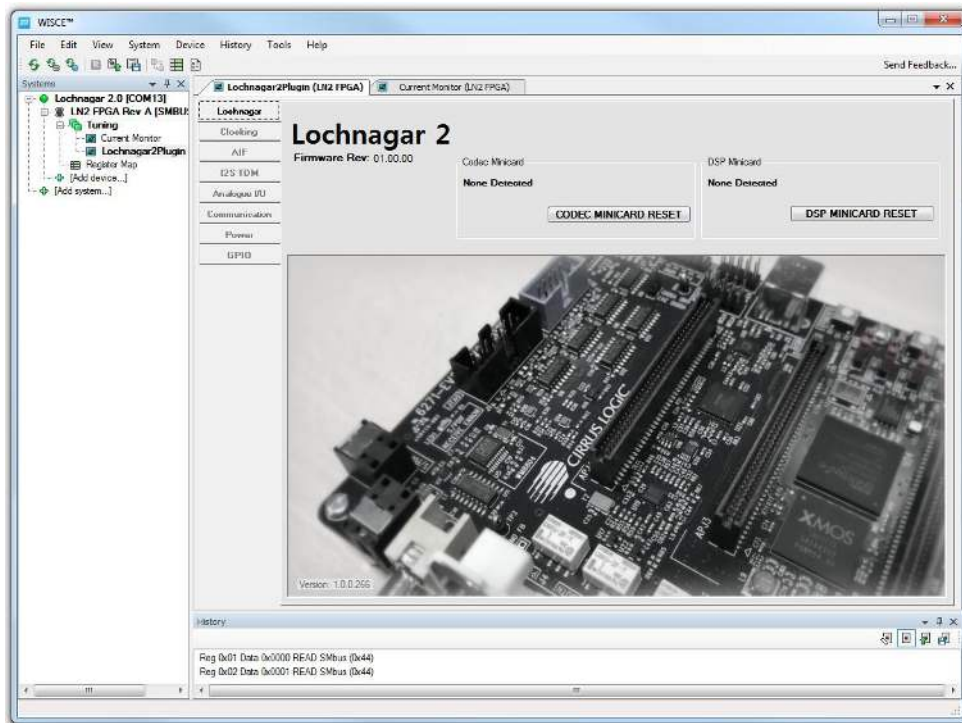
The WISCE™ 3.4.0.3 provides a minimum level of support for Lochnagar 2, but does not provide the full feature set. It is strongly recommended to use version **3.5.0.21** or above.

- The current stable release of WISCE is available from the public Cirrus website
 - <http://www.cirrus.com/en/support/software/evaluationsoftware.html>

3.3 Controlling Lochnagar 2

Upon opening WISCE™, the Lochnagar 2 board should be automatically detected.

It will appear as a device called "LN2 FPGA" at I2C address 0x44. The **LN2 FPGA** device should have a "Tuning" folder that contains both the **Lochnagar2Plugin** and **Current Monitor** plugin. These allow for full configuration of the Lochnagar 2 board.



3.4 Lochnagar 2 Firmware Update

After installing the latest WISCE Device Pack, restart WISCE and open the Lochnagar 2 Plugin.

3.4.1 Hardware setup during update

Firmware updates will generally work with most hardware minicards attached.

It is recommended to unplug any minicards, interposers or connectors that have their own separate power supplies during the Lochnagar 2 firmware upgrade process, as they may interfere with the process.

This includes:

- FPGA Emulation Interposers
- Zynq systems
- Amplifier minicards with separate power connections

3.4.2 Optional Update

If the Lochnagar 2 firmware is not up-to-date, a yellow box prompting the user to update the board firmware will be displayed on the main page of the plugin:



3.4.3 Forced Update

If the version of firmware on the board is so old that the plugin / register map will not function at all, the plugin will remove the element of choice and will force the user to do an update before it can operate:

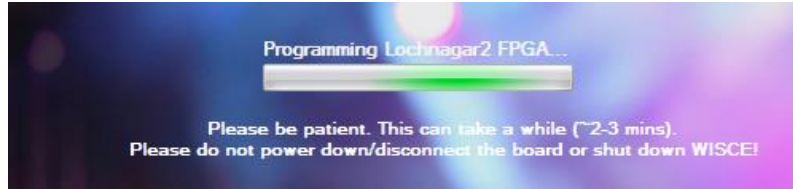


Firmware numbers in the screenshots are for illustration purposes only and may not reflect the behaviour of actual firmware releases.

3.4.4 Updating the Firmware

After clicking the "Update" button in the plugin, it will display a prompt to reset the board and confirm that the user intends to do a board update.

After confirming, it will take 2-3 minutes for the firmware update to complete.



It is important not to shut down WISCE™ or power down or disconnect the Lochnagar 2 board during the firmware update process, as this may result in the Lochnagar 2 hardware becoming unusable.

4 Clocking

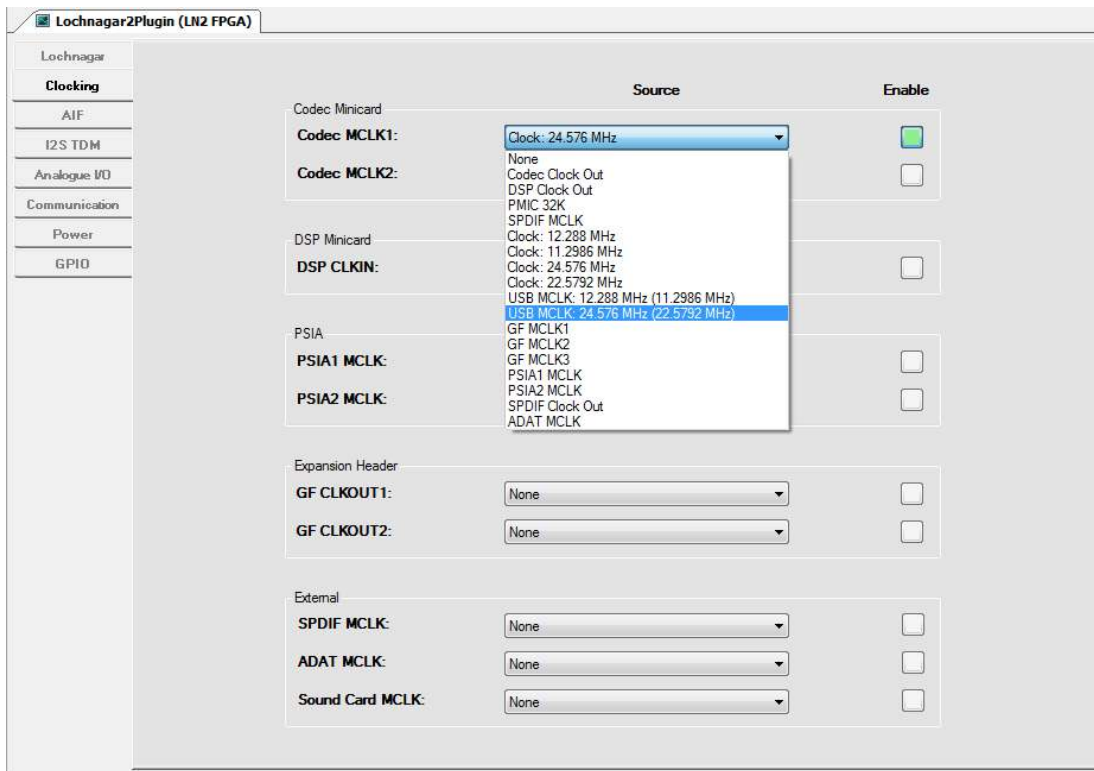
The Lochnagar 2 FPGA controls the clock routing on the board.

If no clock input is provided to the Cirrus device on the minicard, then it may not operate correctly. It is vital to configure the clocks on the Lochnagar 2 board before attempting to use the device.

4.1 Configuring Clock Routing

Digital clock signals on Lochnagar 2 are routed through the central FPGA and can connect the clock signals on the board to a number of input sources.

Routing is controlled via the **Clocking** panel of the Lochnagar 2 plugin.



4.2 Clock Setup Guide

The Lochnagar 2 FPGA manages the clocking setup of various clocks on the board.

Clock signals are separated into clock sources (available clock frequencies from a variety of sources) and clock sinks (signals that require an input clock). The Lochnagar 2 allows the user to connect any clock source to any of the available clock sinks. There are some clocks that can be either source or sink, depending on the configuration. For example, if a PSIA header is used to connect the Lochnagar 2 to an Audio Precision test system, the Audio Precision can act as either

MCLK master or slave, depending on the setup. Accordingly, Lochnagar 2 allows this clock signal to be used as either a Sink or a Source.

Lochnagar 2 has an on-board clock generator that generates the following frequencies: 11.2986 MHz, 12.288 MHz, 22.5792 MHz and 24.576 MHz. In addition, clocks can be provided from the USB streaming peripheral, PSIA headers, GF Expansion Headers, PMIC chip, clock output pins from the codec or DSP minicards, the S/PDIF transceiver or ADAT source.

When using digital audio with Cirrus Smart Codec devices, the MCLK signal provided to the chip should be synchronous with any digital audio interfaces used on the chip. For example, if using the audio from the USB audio streaming, the MCLK provided to the slave device needs to be synchronous with the audio data coming from the USB audio streamer. For this reason, a USB, PSIA, S/PDIF and ADAT MCLK signals are provided as available clock sources in the Clocking tab.

4.2.1 Example Configuration

To connect the USB MCLK signal to the Sound Card clock:

1. Open the Clocking tab of the plugin
2. Find the row associated with the Sound Card MCLK clock sink
3. Select USB MCLK: 24.576 MHz (12.288 MHz) Clock Source from the drop-down menu on the Sound Card MCLK row.
4. Click the enable button on the same row

This will provide the 24/22 MHz USB MCLK signal into the Sound Card peripheral.

4.3 Descriptions of clock sinks and sources

4.3.1 List of Clock Sinks

This lists all the potential destinations that clock signals can be routed to on Lochnagar 2. The register map addresses for the control registers associated with these clock sinks are provided for advanced users.

| Clock Sink | Control Register | Description |
|-----------------|------------------|---------------------------------------------------------------------------|
| Codec MCLK1 | R1Eh | Master clock input on the codec minicard |
| Codec MCLK2 | R1Fh | Master clock input on the codec minicard |
| DSP CLKIN | R20h | Clock input on the DSP minicard |
| PSIA1 MCLK | R21h | Master clock input or output signal on the PSIA1 pin headers |
| PSIA2 MCLK | R22h | Master clock input or output signal on the PSIA2 pin headers |
| GF CLKOUT1 | R24h | Clock output to the GF expansion headers |
| GF CLKOUT2 | R25h | Clock output to the GF expansion headers |
| SPDIF MCLK | R23h | Master clock input or output signal for the S/PDIF interface |
| ADAT MCLK | R26h | Master clock input or output signal for the ADAT interface |
| Sound Card MCLK | R27h | Clock input signal to the Sound Card hardware on underside of Lochnagar 2 |

4.3.2 List of Clock Sources

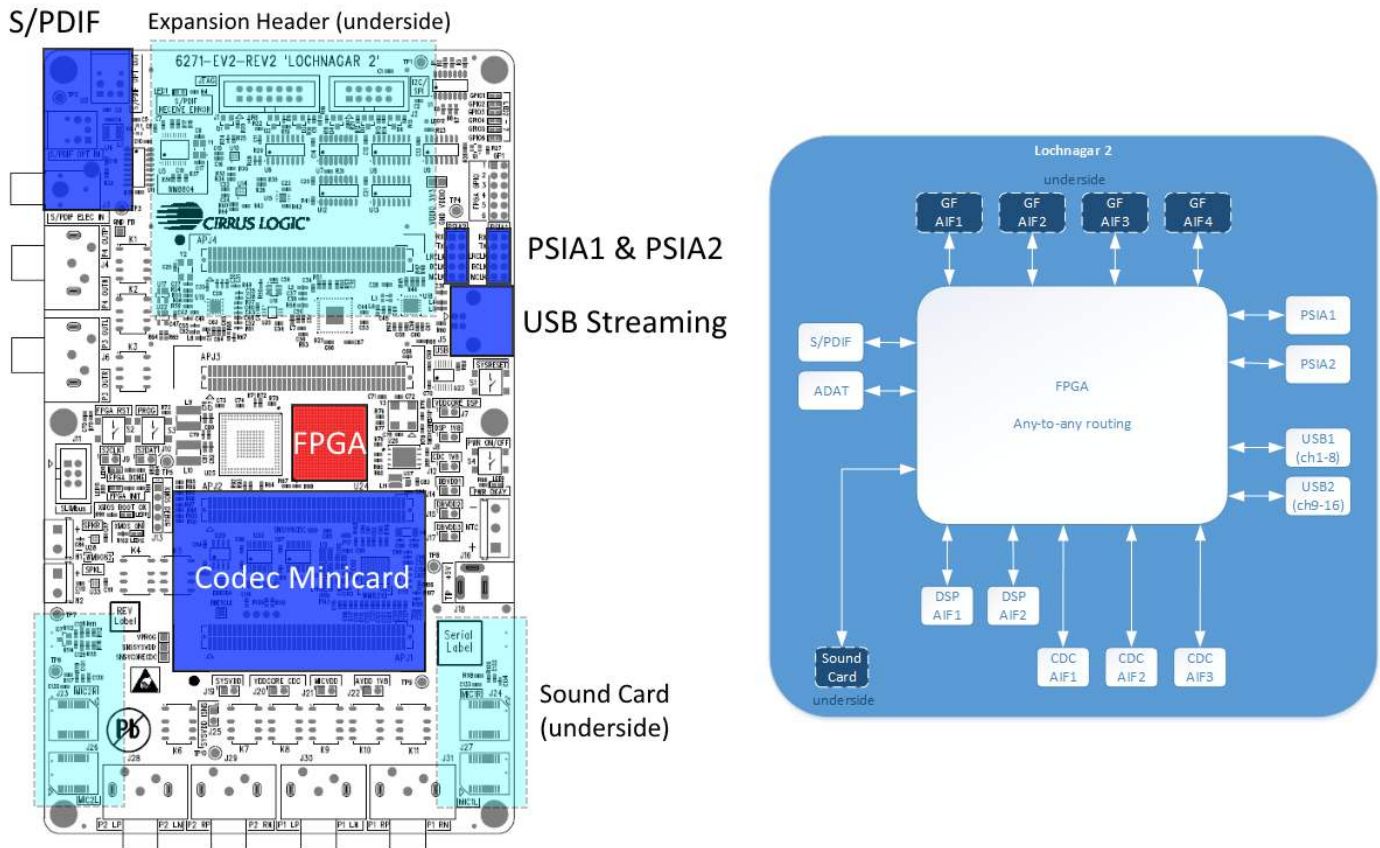
This lists all the potential sources of clock signals that can be routed to the clock sinks listed in the table above. The binary values for these sources are provided for advanced users.

| Clock Source | Binary Value | Description |
|------------------------------------|--------------|-----------------------------------------------------------------------------------------------------------------------------------------------------------------------------------------------------------------------------------------------|
| None | 0x00 | No clock source selected |
| Codec Clock Out | 0x01 | Clock output signal generated by the codec |
| DSP Clock Out | 0x02 | Clock output signal generated on the DSP minicard |
| PMIC 32K | 0x03 | 32.578 kHz clock generated by the onboard power management IC |
| SPDIF MCLK | 0x04 | Use this clock input for S/PDIF audio use cases Clock output from the S/PDIF receiver chip. Frequency will depend upon sampling rate of SP/DIF audio. With no S/PDIF signal applied, the chip generates a default of 12.0 MHz |
| Clock: 12.288 MHz | 0x05 | Fixed 12.288 MHz (48k multiple) clock from onboard clock generator chip. |
| Clock: 11.2986 MHz | 0x06 | Fixed 11.2986 MHz (44.1k multiple) clock from onboard clock generator chip. |
| Clock: 24.576 MHz | 0x07 | Fixed 24.576 MHz (48k multiple) clock from onboard clock generator chip. |
| Clock: 22.5792 MHz | 0x08 | Fixed 22.5792 MHz (44.1k multiple) clock from onboard clock generator chip. |
| USB MCLK: 12.288 MHz (11.2986 MHz) | 0x0A | Use this clock input for USB streaming use cases Half rate clock that is synchronous to USB audio data. Frequency will depend on the sampling rate of audio being transferred over USB This will be either 12.288 MHz or 11.2986 MHz |
| USB MCLK: 24.576 MHz (22.5792 MHz) | 0x12 | Use this clock input for USB streaming use cases Full rate clock that is synchronous to USB audio data. Frequency will depend on the sampling rate of audio being transferred over USB This will be either 24.576 MHz or 22.5792 MHz |
| GF MCLK1 | 0x0B | Clock signal from the expansion headers on underside. Usually used when connected to Linux Application Processor systems |
| GF MCLK2 | 0x0D | Clock signal from the expansion headers on underside. Usually used when connected to Linux Application Processor systems |
| GF MCLK3 | 0x0C | Clock signal from the expansion headers on underside. Usually used when connected to Linux Application Processor systems |
| PSIA1 MCLK | 0x0E | Clock signal applied to PSIA1 headers (3.3V I2S pin headers) |
| PSIA2 MCLK | 0x0F | Clock signal applied to PSIA2 headers (3.3V I2S pin headers) |
| SPDIF Clockout | 0x10 | Secondary clock output signal from the S/PDIF receiver chip. For advanced use cases only. |
| ADAT MCLK | 0x11 | Clock signal from the ADAT receiver when used in ADAT mode. |

5 Digital Audio

This section details the digital audio inputs and outputs on the Lochnagar 2 board, and how to configure the routing. Any digital audio interface (AIF) on the Lochnagar 2 system can be connected to any other via the flexible routing of the FPGA.

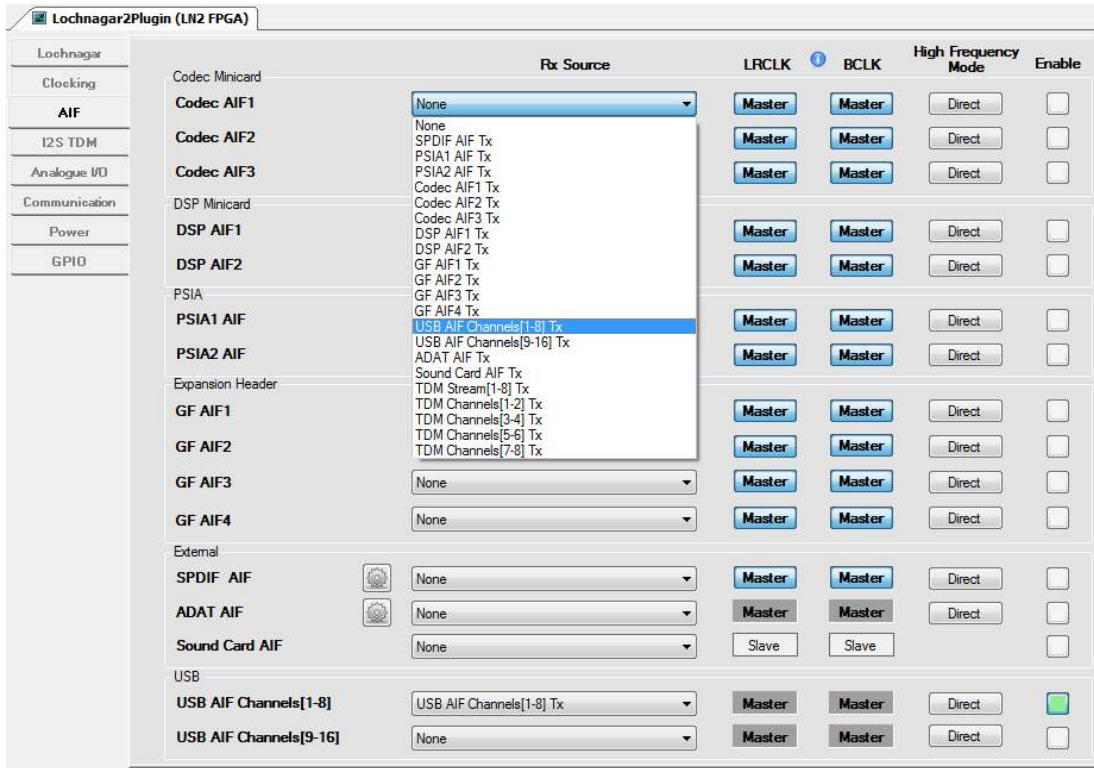
5.1 Digital Audio Connection Diagrams



5.2 Configuring Digital Audio Routing

Digital audio signals on Lochnagar 2 are routed through the central FPGA and can connect any AIF port to any other AIF port on the board.

Routing is controlled via the **AIF** panel of the Lochnagar 2 plugin.



5.2.1 BCLK / LRCLK Routing Operation

The **Rx Source** drop-down menu selects where the audio data comes from for the AIF sink on that row.

If **BCLK/LRCLK** are set to **Slave**, the Lochnagar 2 Board will supply the clocks from audio interface selected in the **Rx Source** selection.

If **BCLK/LRCLK** are set to **Master**, the Lochnagar 2 will not provide any clocks outputs to the AIF sink. The pins will be put into high-Z mode and used as inputs.

Clocks in Slave Mode

If BCLK and/or LRCLK for an AIF device are set to "Slave" mode, the Rx Source should not be set to "None", as this will mean that no clocks are provided to the AIF Slave device.

5.2.2 High Frequency Mode

Path delays in AIF systems can cause problems when the round trip delay between the AIF master and slave devices is comparable to the period of the BCLK signal. In these scenarios, the return data received by the slave may be corrupted.

Lochnagar 2 provides a buffered "High Frequency Mode" setting that will compensate for long round trip delays by introducing a single audio frame of buffering into the AIF master return data.

Typically, this is required when the BCLK signal is higher than 12.288 MHz (from USB AIF, this will typically be for 96 kHz or 192 kHz sampling rates), but depending on the exact audio routing setup on the Lochnagar 2 board, it may also be required at lower BCLK rates. This is also required to compensate for minicards that have long PCB tracks or cabling between the Lochnagar 2 and the DUT.



The High Frequency Mode setting is only available on AIF peripherals where both BCLK and LRCLK are configured as AIF master.

There are two potential settings:

- Direct Mode = No buffering or delay is added onto this AIF signal by the Lochnagar 2 board
- Buffered Mode = A single audio frame of delay is introduced to the data received by this AIF master from the Rx Source.

Direct Mode is the default setting as it provides the lowest possible latency through the system.

If audio corruption is observed at the AIF master, it is possible to resolve this by enabling the "Buffered" High Frequency Mode setting.

5.2.3 Example Configuration

To set up an AIF connection between the USB audio streaming and Codec AIF1 port:

1. Find the Codec AIF1 row on the **AIF** tab of the Lochnagar 2 plugin.
2. Select a Rx Source for this audio connection. Choose USB AIF Channels[1-8] Tx to connect it to the USB streaming peripheral.
3. Select whether Codec AIF1 is master or slave for the BCLK and LRCLK. Since USB streaming operates as master only, they must both be set to Slave in this example.
4. If audio is required in both directions, find the row for USB AIF Channels[1-8], and set the Rx Source to Codec AIF1 Tx. This will make the audio bidirectional.
5. If required, select the Buffered High Frequency Mode on the USB AIF Channels[1-8] row to add optional buffering into the return path. This may be required if the return data from the codec is corrupted due to path length delays.
6. Enable both interfaces using the buttons on the right of each row.

It is also important to make sure that the codec has an MCLK that is connected to a synchronous clock source. In this scenario, the **Clocking** panel of the plugin should be used to set MCLK1 or MCLK2 to the USB MCLK.

5.2.4 Advanced Clocking Configurations

Audio paths do not need to be set up directly between two AIF interfaces, and BCLK/LRCLK do not necessarily have to be driven by the same master or in the same direction, assuming that the Slave device also supports that mode. A single AIF master could potentially clock multiple slave devices by daisy-chaining the audio from one slave AIF port to the next.

This flexibility means that the Lochnagar 2 can be set up to emulate almost any potential AIF configuration in order to develop solutions or replicate problems.

Note that there is no protection for scenarios where the FPGA is configured incorrectly, so it is also important to make sure that the AIF interface connected to the FPGA is configured in the appropriate manner. If Codec AIF1 is set up as a Master on the DUT and also in the FPGA, the two devices will drive against each other on the line and potentially create mid-rail voltages.

5.3 AIF interfaces on codec minicard

The codec minicard supports up to three AIF interfaces (for smaller cards with two connectors) or five AIF interfaces (for larger cards that span over three connectors).

5.4 AIF interfaces on the expansion headers

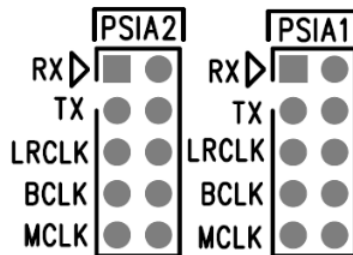
The expansion headers on the underside of Lochnagar 2 are designed to connect Lochnagar 2 to Linux Application Processor systems. The headers on the underside support up to four AIF interfaces.

5.5 PSIA Headers

These headers are designed to connect to Audio Precision testing equipment through the PSIA (Programmable Serial Interface Adapter) hardware.

This is essentially a standard I2S-based digital audio interface with 3.3V signal levels, consisting of the following signals:

The silkscreen markings on Lochnagar 2 will help the user determine which pin is which. Note that TX and RX directions are with respect to the external PSIA hardware, therefore the pin marked "RX" is an output from the FPGA.



- RXDAT (pin 1)
- TXDAT (pin 3)
- LRCLK (pin 5)
- BCLK (pin 7)
- MCLK (pin 9)
- Ground signals (pins 2, 4, 6, 8, 10)

Clocking

When using the PSIA with a Cirrus codec device, the codec can be used as either AIF clock master or clock slave.

The **Clocking** panel of the Lochnagar 2 Plugin should be used to configure the MCLKs of the codec and PSIA ports appropriately.

5.6 S/PDIF and ADAT

There are S/PDIF optical and electrical input connectors on Lochnagar 2, and a single S/PDIF optical output connector. Lochnagar 2 also supports using ADAT protocol with the optical connectors.

ADAT

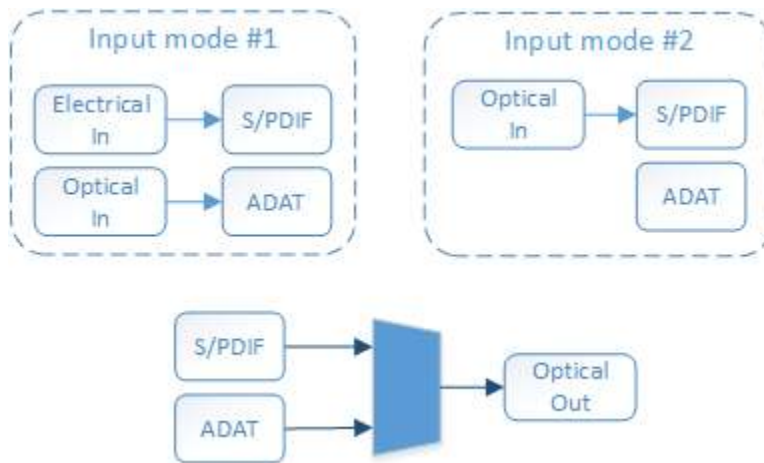
Lochnagar 2 only supports ADAT protocol with 48 kHz sampling rate, and it can only be used in I2S clock master mode.

5.6.1 Standard use cases

S/PDIF can be used with either electrical or optical input connector.

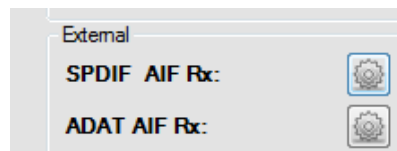
ADAT can only be used with the optical input. If the optical input is already being used for S/PDIF, it cannot be used for ADAT.

There is only a single optical output, and can be used with either the S/PDIF or ADAT output.

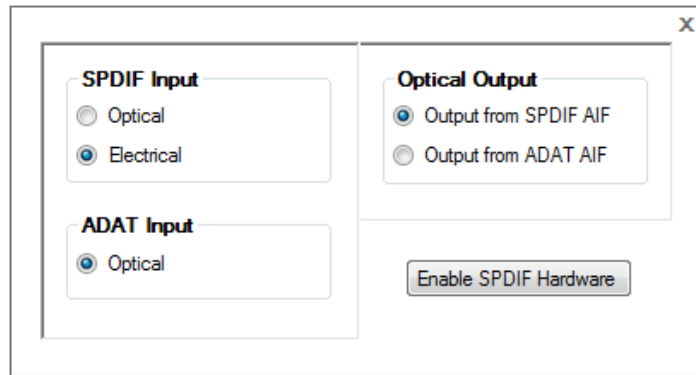


These configuration options can be selected within the **AIF** panel of the Lochnagar 2 Plugin.

Click the cogwheel-shaped "setup" icon next to either "SPDIF AIF Rx" or "ADAT AIF Rx".



This will bring up the S/PDIF and ADAT configuration options.



If using S/PDIF, it is important to click the "Enable SPDIF Hardware" button on this panel to bring the WM8804 S/PDIF transceiver chip out of reset.

Clocking

When using S/PDIF or ADAT audio as clock masters with a Cirrus codec device in slave mode, it is important that one of the codec's MCLK pins is connected to a clock source that is synchronous to the audio coming from the S/PDIF or ADAT source.

The **Clocking** panel of the Lochnagar 2 Plugin should be used to assign either MCLK1 or MCLK2 to one of the SPDIF MCLK or ADAT MCLK sources as appropriate.

5.6.2 Advanced use cases

Lochnagar 2 also supports more advanced use case configurations using the WM8804 S/PDIF transceiver chip, including operating in clock slave mode.

Since these require the additional configuration of the WM8804 chip, these modes cannot be enabled through the Lochnagar 2 plugin and are left for advanced users only.

Firstly, the I2C bridge to the WM8804 chip must be enabled.

This will connect the primary I2C bus on the system (I2C1) to the SPDIF I2C bus (SPDIF_I2C)

| | | | | |
|----------------------------|-----------------------|-----------------------|-----------------------|-----------------------|
| SPDIF_I2C_BRIDGE1_ENA 1 | I2C4_BRIDGE1_ENA 0 | I2C3_BRIDGE1_ENA 0 | I2C2_BRIDGE1_ENA 0 | I2C1_BRIDGE1_ENA 1 |
|----------------------------|-----------------------|-----------------------|-----------------------|-----------------------|

The WM8804 should be placed into Software Control mode (SPDIF_HWMODE = 0) and then taken out of reset (SPDIF_RESET_N = 1):

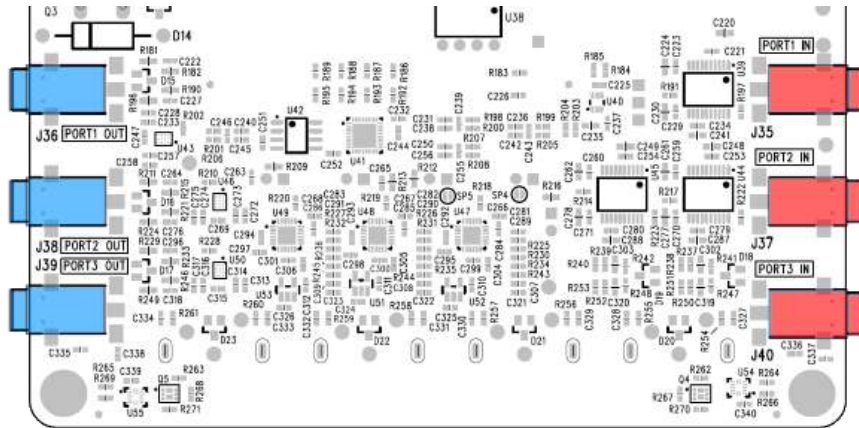
| | | | |
|-------------------|-------------------|-------------------|--------------------|
| SPDIF_HWMODE 0 | SPDIF_IN_SEL 1 | SPDIF_TX_SEL 0 | SPDIF_RESET_N 1 |
|-------------------|-------------------|-------------------|--------------------|

The WM8804 control interface can now be accessed over I2C and configured into a custom mode.

5.7 Sound Card

There are 3 x stereo input 3.5 mm jacks and 3 x stereo output 3.5 mm jacks on the underside of Lochnagar 2. These comprise the "Sound Card".

These inputs and outputs are not connected directly to analogue ports on the minicard, but are presented as digital audio I/O within the **AIF** audio routing panel of the Lochnagar 2 Plugin. Audio from any AIF port on the Lochnagar can be routed directly to the Sound Card.



Underside of Lochnagar 2. Output ports in blue, input ports in red.

5.7.1 Sound Card Audio Format

- The Sound Card expects to receive a 4 or 8 channel TDM I2S signal.
- The Sound Card will always be the BCLK/LRCLK slave
- The Sound Card must be provided with a synchronous MCLK in the **Clocking** panel of the Lochnagar 2 Plugin.

The TDM channels in the I2S stream will map directly to the 3.5 mm jacks as shown below.

| | |
|-------------|---|
| PORT1 left | 1 |
| PORT1 right | 2 |
| PORT2 left | 3 |
| PORT2 right | 4 |
| PORT3 left | 5 |
| PORT3 right | 6 |

This channel mapping applies to both input and output ports.

5.7.2 Enabling the Sound Card

The Sound Card is enabled within WISCE by doing the following:

1. Set up a clock source for the Sound Card MCLK on the Clocking panel and enable it
2. Set up the Sound Card as a source or sink within the AIF routing panel
3. Click the enable button on the Sound Card row

Clocking

The Sound Card always operates in clock slave mode. An Rx Source must be selected in order to supply BCLK and LRCLK signals.

In addition, the **Clocking** panel of the Lochnagar 2 Plugin should be used to assign an appropriate clock source to the Sound Card MCLK input. Without a synchronous MCLK input, the Sound Card will not function correctly.

5.8 Descriptions of AIF sinks and sources

5.8.1 List of AIF Sinks

This lists all the potential destinations that digital audio signals can be routed to on Lochnagar 2. The register map addresses for the control registers associated with these AIF sinks are provided for advanced users.

| Category | Name | Control Register | Description |
|----------------------|------------------------|------------------|---------------------------------------------------------------------------------------------------------------------------------------------------------------------------------------------------------------------------------------------------------------------------------------------------------------------------------------------------------------------------|
| Codec Minicard | Codec AIF1 | R0Dh | AIF1 port on the codec minicard |
| Codec Minicard | Codec AIF2 | R0Eh | AIF2 port on the codec minicard |
| Codec Minicard | Codec AIF3 | R0Fh | AIF3 port on the codec minicard |
| DSP / Codec Minicard | DSP AIF1 / Codec AIF4 | R10h | How this interface is displayed in the plugin will depend upon your minicard May be either AIF4 on codec minicard or AIF1 on DSP minicard (obsolete) |
| DSP / Codec Minicard | DSP AIF2 / Codec AIF5 | R11h | How this interface is displayed in the plugin will depend upon your minicard May be either AIF5 on codec minicard or AIF2 on DSP minicard (obsolete) |
| PSIA | PSIA1 AIF | R12h | PSIA pin headers for connection to Audio Precision PSIA or debug |
| PSIA | PSIA2 AIF | R13h | PSIA pin headers for connection to Audio Precision PSIA or debug |
| Expansion Header | GF AIF1 | R16h | Expansion header on underside of Lochnagar 2 |
| Expansion Header | GF AIF2 | R17h | Expansion header on underside of Lochnagar 2 |
| Expansion Header | GF AIF3 | R14h | Expansion header on underside of Lochnagar 2 |
| Expansion Header | GF AIF4 | R15h | Expansion header on underside of Lochnagar 2 |
| External | SPDIF AIF | R18h | S/PDIF optical input/output <i>Note: Basic use case is clock master only. If S/PDIF is used in clock slave mode, it will require extra configuration on the WM8804 S/PDIF transceiver chip to operate correctly. Note: S/PDIF requires extra configuration before it will operate. Click on the cogwheel 'setup' icon to select ADAT / S/PDIF options.</i> |
| External | ADAT AIF | R1Bh | ADAT optical input/output <i>Note: ADAT can be used in clock master mode only. If ADAT is in use, then S/PDIF will be limited to electrical input only. Note: ADAT requires extra configuration before it will operate. Click on the cogwheel 'setup' icon to select ADAT / SP/DIF options.</i> |
| External | Sound Card AIF | R180h | Analogue audio inputs and outputs through the 3.5 mm jacks on underside of the board. A clock supply must also be provided to the Sound Card before it will operate. |
| USB | USB AIF Channels[1-8] | R19h | USB audio streaming ASIO channels 1-8 <i>Note: USB streaming can only function in clock master mode</i> |
| USB | USB AIF Channels[9-16] | R1Ah | USB audio streaming ASIO channels 9-16 <i>Note: USB streaming can only function in clock master mode</i> |

5.8.2 List of AIF Sources

This lists all the potential sources of digital audio data that can be routed to the AIF sinks listed in the table above. The binary values for these sources are provided for advanced users.

| Category | Name | Binary Value | Description |
|-----------------------|-----------------------------|--------------|-----------------------------------------------------------------------------------------------------------------------------------------------------------------------------------------------------------------|
| | None | 0x00 | No audio source connected to this sink |
| External | SPDIF AIF Tx | 0x01 | S/PDIF optical or electrical input |
| PSIA | PSIA1 AIF Tx | 0x02 | PSIA pin headers for connection to Audio Precision PSIA or debug |
| PSIA | PSIA2 AIF Tx | 0x03 | PSIA pin headers for connection to Audio Precision PSIA or debug |
| Audio Card | Codec AIF1 Tx | 0x04 | AIF1 port on the codec minicard |
| Audio Card | Codec AIF2 Tx | 0x05 | AIF2 port on the codec minicard |
| Audio Card | Codec AIF3 Tx | 0x06 | AIF3 port on the codec minicard |
| DSP Card / Audio Card | DSP AIF1 Tx / Codec AIF4 Tx | 0x07 | How this interface is displayed in the plugin will depend upon your minicard May be either AIF4 on codec minicard or AIF1 on DSP minicard (obsolete) |
| DSP Card / Audio Card | DSP AIF2 Tx / Codec AIF5 Tx | 0x08 | How this interface is displayed in the plugin will depend upon your minicard May be either AIF5 on codec minicard or AIF2 on DSP minicard (obsolete) |
| Expansion Header | GF AIF1 Tx | 0x0B | Expansion header on underside of Lochnagar 2 |
| Expansion Header | GF AIF2 Tx | 0x0C | Expansion header on underside of Lochnagar 2 |
| Expansion Header | GF AIF3 Tx | 0x09 | Expansion header on underside of Lochnagar 2 |
| Expansion Header | GF AIF4 Tx | 0x0A | Expansion header on underside of Lochnagar 2 |
| USB | USB AIF Channels[1-8] Tx | 0x0D | USB audio streaming input (from PC) ASIO channels 1-8 <i>Note: USB streaming can only function as clock master</i> |
| USB | USB AIF Channels[9-16] Tx | 0x0E | USB audio streaming input (from PC) ASIO channels 9-16 <i>Note: USB streaming can only function as clock master</i> |
| External | ADAT AIF Tx | 0x0F | ADAT optical input. <i>Note: the ADAT hardware will need additional configuration Click the cogwheel Setup icon to complete ADAT setup</i> |
| External | Sound Card AIF Tx | 0x10 | Analogue inputs from the 3.5 mm jacks on the underside of Lochnagar 2 <i>Note: an MCLK for the Sound Card must be configured in the clocking panel For more details, see: Sound Card</i> |
| I2S TDM Converter | TDM Stream[1-8] Tx | 0x11 | 8 channel I2S stream from the I2S TDM Converter block <i>Note: See I2S TDM panel to complete the setup</i> |
| I2S TDM Converter | TDM Channels[1-2] Tx | 0x12 | De-muxed channels 1-2 from the 8-channel TDM to stereo conversion in the I2S TDM Converter block <i>Note: See I2S TDM panel to complete the setup</i> |
| I2S TDM Converter | TDM Channels[3-4] Tx | 0x13 | De-muxed channels 3-4 from the 8-channel TDM to stereo conversion in the I2S TDM Converter block <i>Note: See I2S TDM panel to complete the setup</i> |
| I2S TDM Converter | TDM Channels[5-6] Tx | 0x14 | De-muxed channels 5-6 from the 8-channel TDM to stereo conversion in the I2S TDM Converter block <i>Note: See I2S TDM panel to complete the setup</i> |
| I2S TDM Converter | TDM Channels[7-8] Tx | 0x15 | De-muxed channels 7-8 from the 8-channel TDM to stereo conversion in the I2S TDM Converter block <i>Note: See I2S TDM panel to complete the setup</i> |

6 USB Audio Streaming

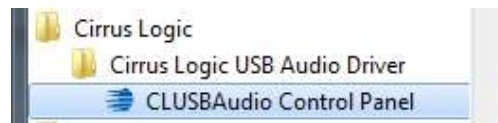
The Lochnagar 2 board presents itself as a USB audio device to the host PC using USB Audio Class 2 to transfer audio data.

Do not reset or power down when streaming USB audio

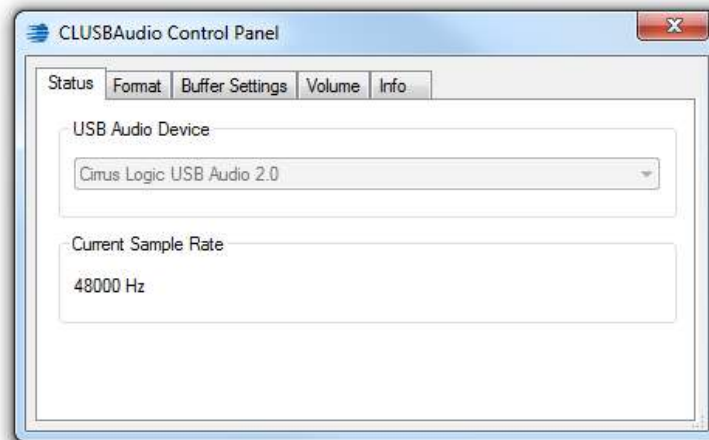
If the Lochnagar 2 board is streaming USB Audio 2.0 when it is reset, the Windows audio drivers will stall. This is a common issue with Windows audio drivers when using external USB sound cards. When Lochnagar 2 is reconnected to the system, it may then fail to connect to WISCE due to the audio driver issues. In order to reconnect, the application playing USB audio to the Lochnagar 2 board must be stopped. If a failed attempt at connecting to WISCE has already occurred, the Lochnagar 2 board may need another reset in order to re-establish communications with the system.

6.1 CLUSBAudio Control Panel

This is a control panel for the Lochnagar 2 XMOS USB audio streaming system. A link to open the CLUSBAudio Control Panel can be found in the "Cirrus Logic" folder in the Start Menu.

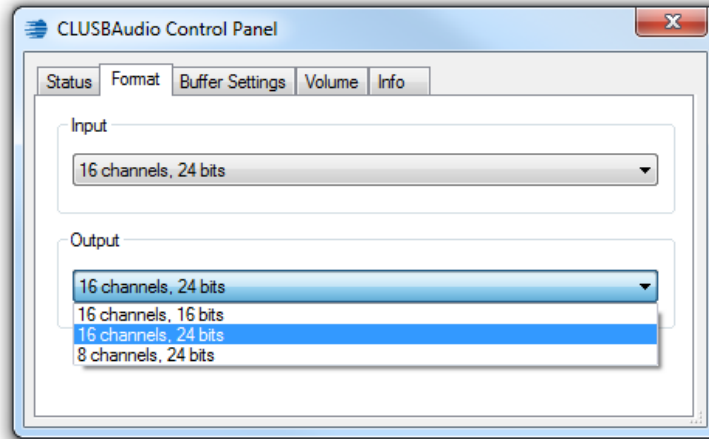


The main Status tab of the CLUSBAudio Control Panel will display the Current Sampling Rate being used by Lochnagar 2. This will be determined by either the Windows drivers setting (for DirectSound) or the audio software (for example Adobe Audition) for ASIO or WASAPI. This is useful for confirmation that audio is playing at the correct sampling rate.



The Format tab may be required for use cases where the sampling rate is 192 kHz. Due to limitations in bandwidth, Lochnagar 2 cannot support a full 16 channels of 24-bit audio at 192 kHz, so a choice must be made by the user to either reduce the bit depth to 16 bits, or channel count to 8 channels.

On this tab, 'Input' refers to audio coming from Lochnagar 2 into the PC, and 'Output' refers to audio being transferred from the PC to Lochnagar 2.



For all other sampling rates:

- 16 channels, 24 bits (**default recommended option**)

For 192 kHz:

- 8 channels, 24 bits

The format of the Input channels should match that of the Output channels.

For all use cases other than 192 kHz sampling rates, it is recommended to keep these settings at the default value of 16 channels at 24 bits. Note that the input and output format selection made here will apply to the XMOS audio streaming device regardless of the audio drivers used (ASIO, WASAPI, DirectSound) so it is important to make sure this selection is correct if 192 kHz audio is to be played.

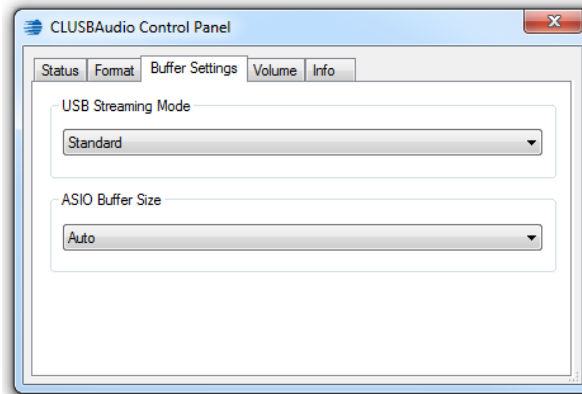
192 kHz Mode

For 192 kHz mode, only the 8 channels / 24 bit mode will operate correctly. Other modes will create bit-shifts (and therefore audible distortion) when WISCE™ is used at the same time as audio streaming. Both Input and Output settings must be set to 8ch/24-bit mode in the CLUSBAudio Control panel. This is true regardless of whether you are using Windows DirectSound, WASAPI or ASIO drivers to get the 192 kHz output audio.

The Buffer Settings tab should be set to the following values:

- USB Streaming Mode = Standard
- ASIO Buffer Size = Auto

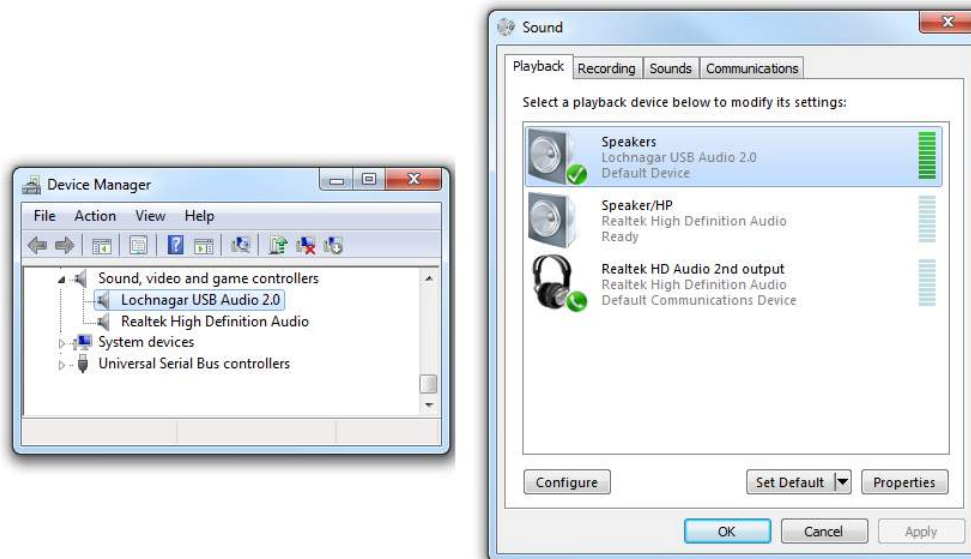
These settings can be modified to provide a larger or smaller USB buffer, but be aware that some applications (e.g. Adobe Audition) may have problems with particular combinations of Sample Rate and Buffer Size.



6.2 Using Lochnagar 2 with Windows DirectSound

Lochnagar 2 can act and function as a normal stereo USB audio device on a Windows system using Windows DirectSound drivers. Although Windows Vista introduced native support for WASAPI, which is technically superior, DirectSound is still the default audio driver for all Windows OS versions.

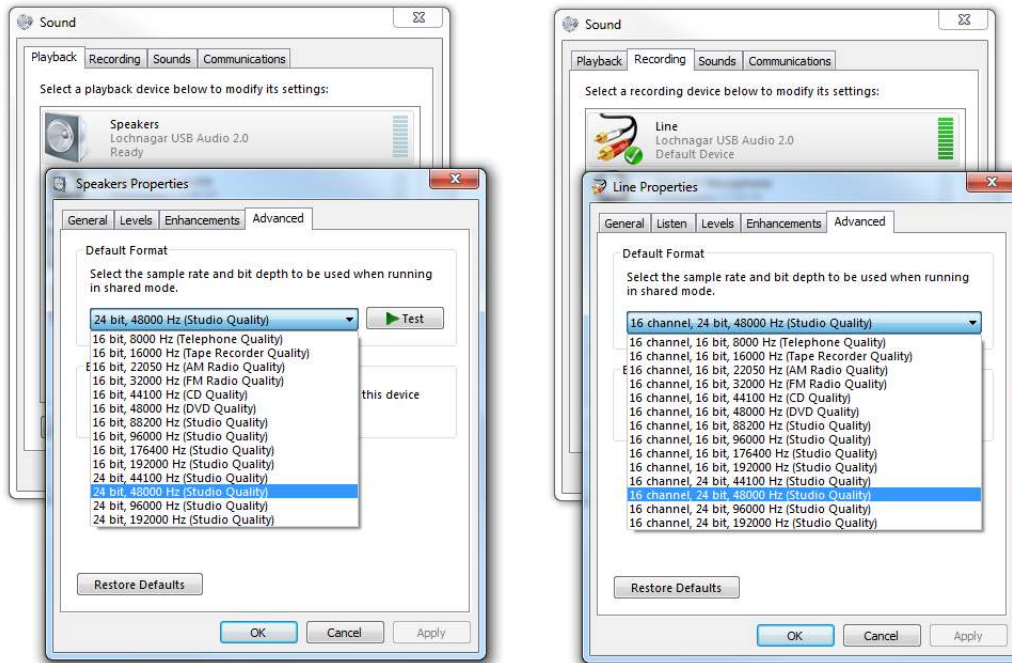
Stereo audio from standard Windows applications (Media Player, iTunes, Spotify, web browsers) can be routed through the Lochnagar 2 by simply selecting it as your default audio device on the system within the Control Panel.



This has some limitations. Firstly, it only supports 2 channels, and all audio will be resampled by Windows to the sampling rate set within the Advanced panels of the "Speakers Properties" display (accessed by right-clicking on

'Speakers/Lochnagar USB Audio 2.0' in the window shown above). The input channels will operate at the rate set within the Advanced panel of the "Line Properties" display.

If the USB audio streaming is used for simultaneous playback and recording, the playback and record sampling rates must be set to the same value.



6.3 Using Lochnagar 2 with WASAPI

With Windows Vista, Microsoft introduced the Windows Audio Session Application Programming Interface (WASAPI) audio transport method. This is technically superior to DirectSound and offers lower distortion and options to bypass mixing if used in Exclusive mode, similar to ASIO default functionality. It allows the user to set the audio sampling rate through the application, rather than the Control Panel audio device properties, allowing for easier support for multiple sampling rates.

Note that although WASAPI itself is included with Windows, most standard applications do not use it and even media players such as Foobar require an extra WASAPI plugin to interface with the transport. The WASAPI interface to Lochnagar 2 will appear in the media player's device selection list as "WASAPI: Speakers (Lochnagar USB Audio 2.0)". Lochnagar 2.0 supports both Event and Push modes; Microsoft recommends using Event mode where possible.

While DirectSound may be used for convenience, it is recommended to use ASIO over WASAPI if multichannel or bit-exact audio is required.

6.4 Using Lochnagar 2 with ASIO

ASIO drivers for Windows are installed as part of the Lochnagar 2 Device Pack.

Using ASIO will allow up to 16 channels to be transferred to and from the Lochnagar 2 board and provides higher bandwidth, lower latency, less jitter and un-mixed/un-distorted audio that bypasses the Windows Kernel Mixer. However, this requires specialist audio software such as Adobe Audition to interface with the ASIO drivers, as Windows does not support USB Class 2 Audio natively. This section will detail how to set up Lochnagar 2 on both Adobe Audition and Foobar.

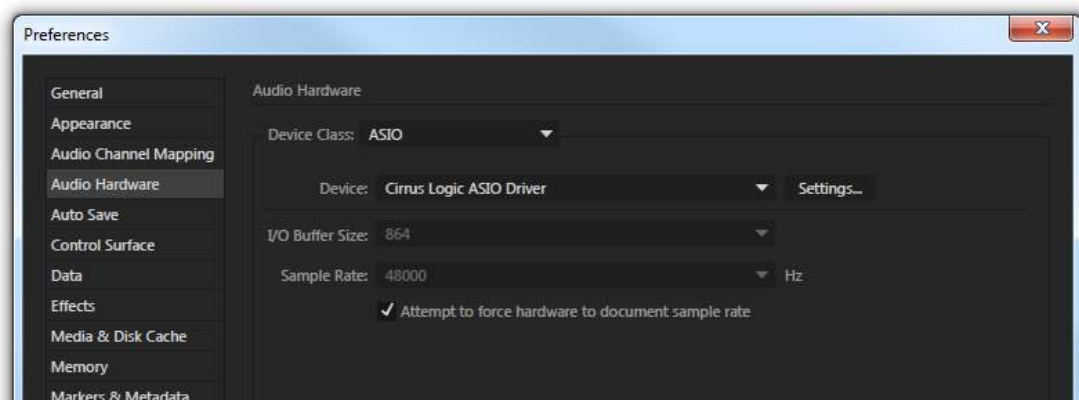
Volume Settings

Due to an issue with the ASIO drivers, the volume control settings within the Windows operating will affect the volume of audio supplied to the Lochnagar 2 board, even when ASIO drivers are in use. If the Windows mixer settings are set to anything other than 100% volume, then the audio from ASIO applications such as Adobe Audition may not be bit-accurate to the original source material.

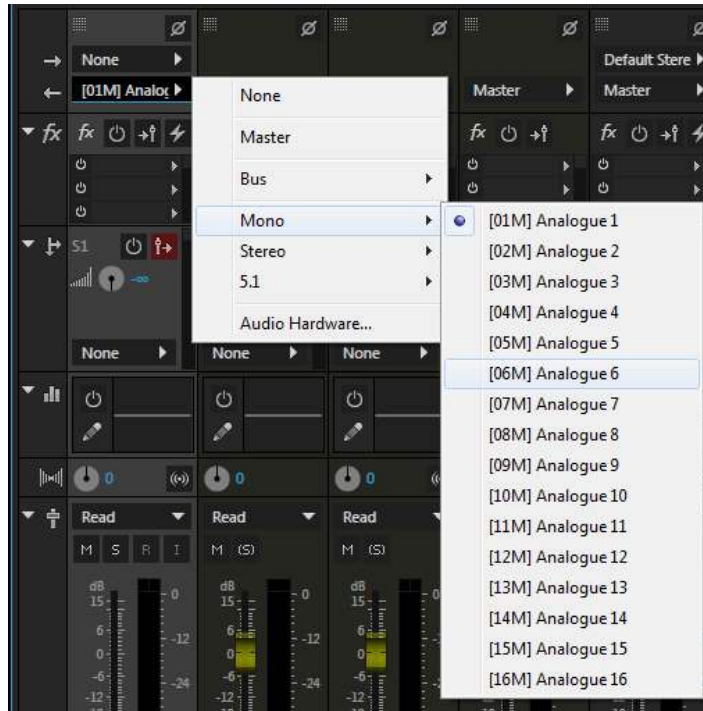
6.4.1 Adobe Audition Setup

In order to use Lochnagar 2 with ASIO on Windows, an ASIO-compatible sound editor is required. For this example, Adobe Audition is used, but setup on other editors should be very similar.

1. Enter the Audio Hardware panel in the Preferences box.
2. Select "ASIO" as the Device Class
3. Select "Cirrus Logic ASIO Driver" as the Device
4. Tick the "Attempt to force hardware to document sample rate" box, if it is present in your version of Audition
 - a. If this option is not available, you will need to use the CLUSBAudio application to set hardware sample rate. This can be accessed via Start Menu or by clicking the "Settings..." button within the Audition Audio Hardware panel.
5. Click "OK" to save changes



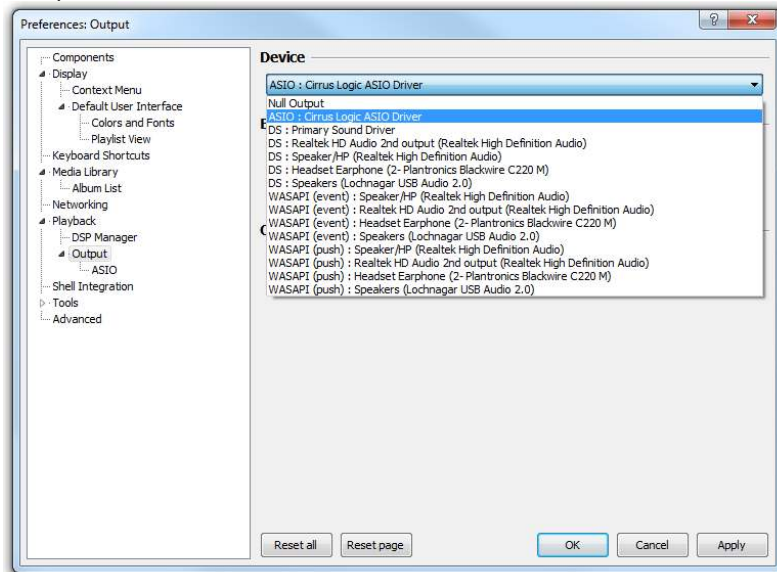
When selecting an output channel for each track in the project, there will now be 16 available input and output channels to select.



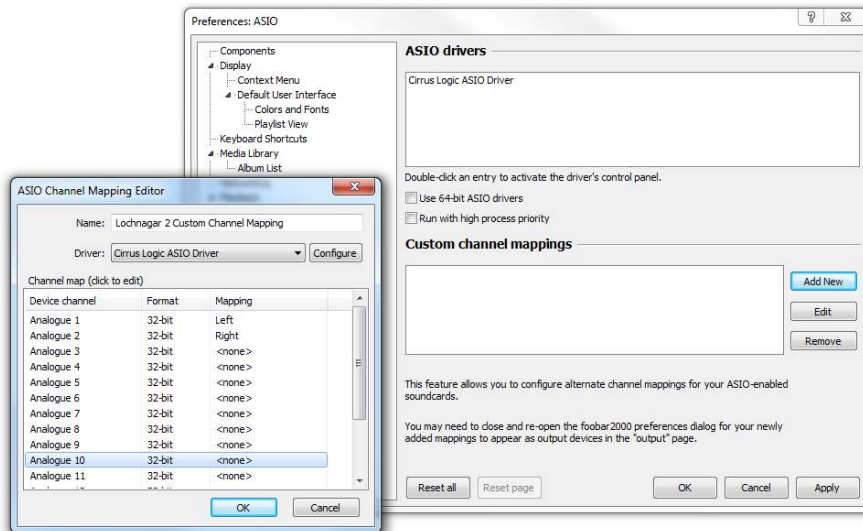
6.4.2 Foobar Setup

Foobar is a free media player which also offers ASIO support, although its multi-channel support is limited. However, it may be preferable in many instances since it is free to download and does not require a license or subscription.

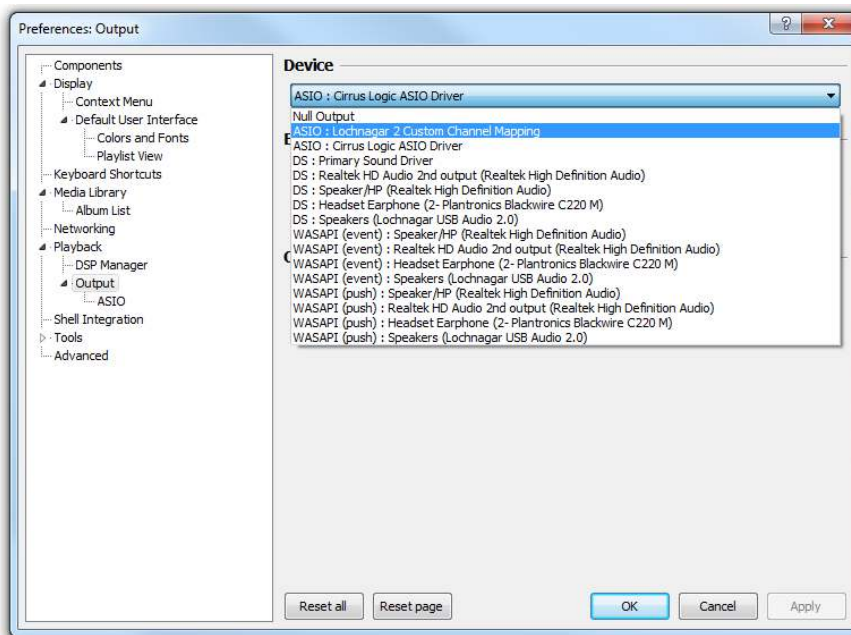
1. Download and install Foobar if required: <http://www.foobar2000.org/download>
2. Download the and install the ASIO plugin for Foobar: http://www.foobar2000.org/components/view/foo_out_asio
3. Go to File->Preferences->Playback->Output. Select "ASIO: Cirrus Logic ASIO Driver" from the drop-down list of devices. Click "OK" to save preferences.



- The default channel mapping maps the audio's Left channel to ASIO output channel 1, and Right channel to ASIO output channel 2. These mapping can be re-mapped by entering the 'ASIO' sub-panel of the Output preferences and creating a custom channel mapping.



- Once a custom channel mapping has been created, it can be selected from the drop-down Device select list on the main Output preferences panel.



Note that Foobar allows for multichannel ASIO output, but the source file must be encoded as a multi-channel (eg. 5.1) file - it cannot play two stereo files simultaneously to four different ASIO output channels like Adobe Audition can.

6.5 I2S Format on Lochnagar 2

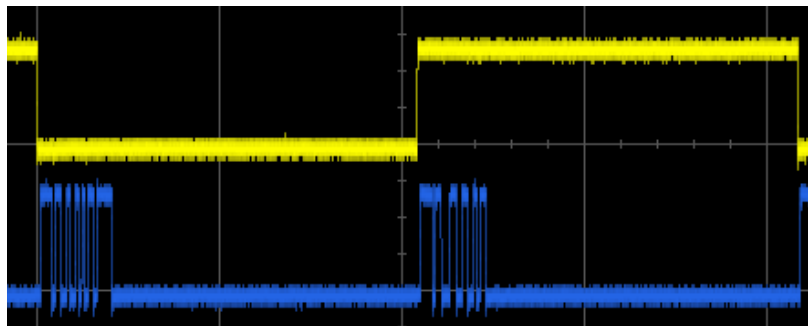
Regardless of which audio driver type is used, the onboard XMOS USB streamer device will convert the 16 channels of audio data from the PC into two data streams, each in 8-channel TDM I2S format. Each set of 8 channels can be routed separately to any AIF interface on the board.

- **USB AIF Channels[1-8]** maps to ASIO channels 1-8
- **USB AIF Channels[9-16]** maps to ASIO channels 9-16

The output format from the XMOS will always be in 8-channel I2S format, even if only 2/4/6 channels are used. The XMOS will always be the master of the BCLK and LRCLK signals, as the sampling rate will be dictated by the PC/ASIO driver. When the XMOS streaming audio is routed to a Cirrus Smart Codec AIF peripheral, the AIF port of the Cirrus device should be configured as a slave expecting data in this format.

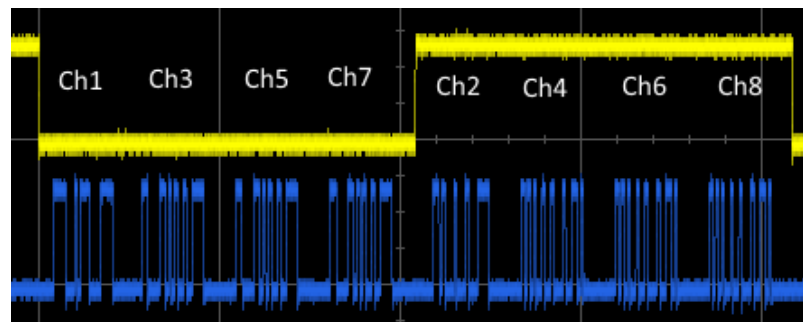
Note that when using 192 kHz sampling rate, the user must choose between reducing the total number of channels from 16 to 8 channels, which would mean that only four channels TDM is used; or reducing the sample bit depth to 16 bits. In both scenarios, the number of BCLKs per LRCLK frame will be halved, and this must be reflected in the Cirrus Codec AIF setup.

Stereo data transferred to Lochnagar 2



The USB audio output from XMOS will always be in 8 channel TDM I2S format, even when using stereo data audio in DirectSound mode.

8 channel TDM data transferred to Lochnagar 2 via ASIO



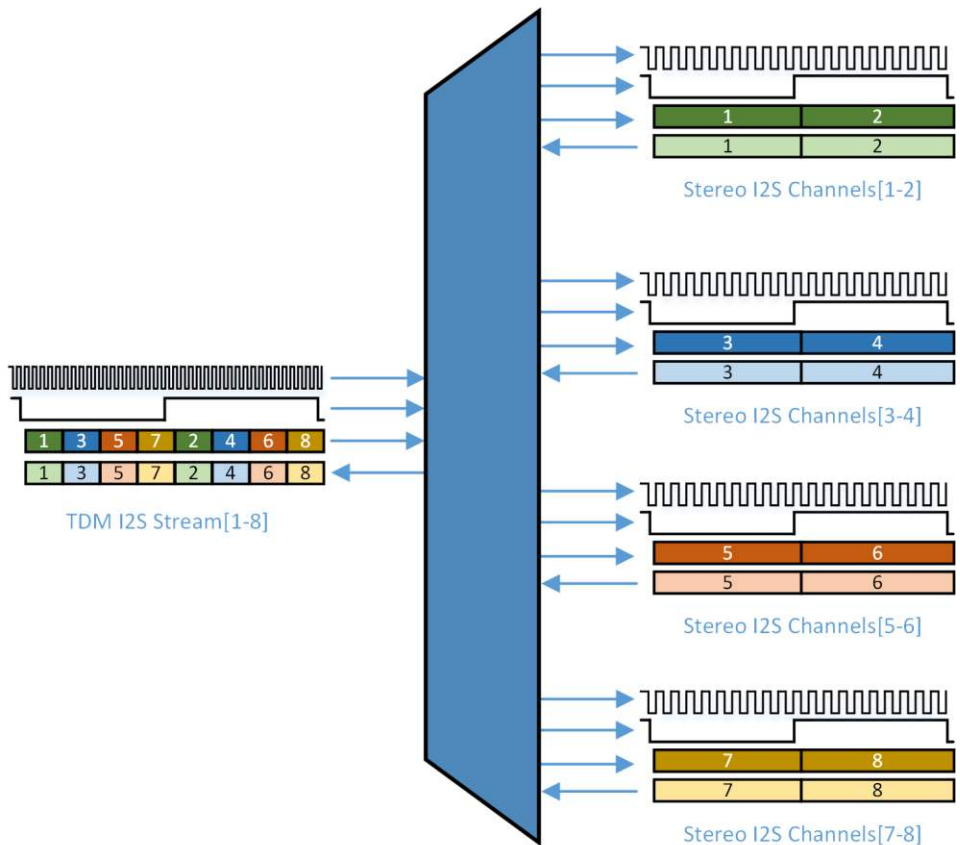
When using the AIF routing option USB AIF Channels[1-8], the channel number shown in the image map directly to the ASIO channel numbers (eg "Analogue 1") as seen in Adobe Audition screenshots above. When using AIF routing option USB AIF Channels[9-16], the 8 channels of TDM I2S map to ASIO channels 9-16 rather than 1-8.

7 I2S TDM

The Lochnagar 2 FPGA provides a peripheral block that will convert 8-channel TDM I2S data into stereo I2S streams and vice versa.

The Lochnagar 2 USB Audio Streaming peripheral always operates using 8-channel I2S audio data with 32-bit audio slots (or 4-channel at 192 kHz) and in some cases this may be undesirable. For example, running with a faster BCLK than is required will slightly increase the power consumption on the digital buffer voltage supply rail, and for power sensitive applications this may be undesirable. For this purpose, the Lochnagar 2 board can convert 8-channel 256Fs TDM I2S data into four separate streams of stereo 64Fs I2S data that can be routed to four separate destinations on the Lochnagar 2 board. Similarly, the return data from the four separate I2S streams can be combined into a single 8-channel TDM I2S return channel.

7.1 I2S TDM Mux/Demux Operation

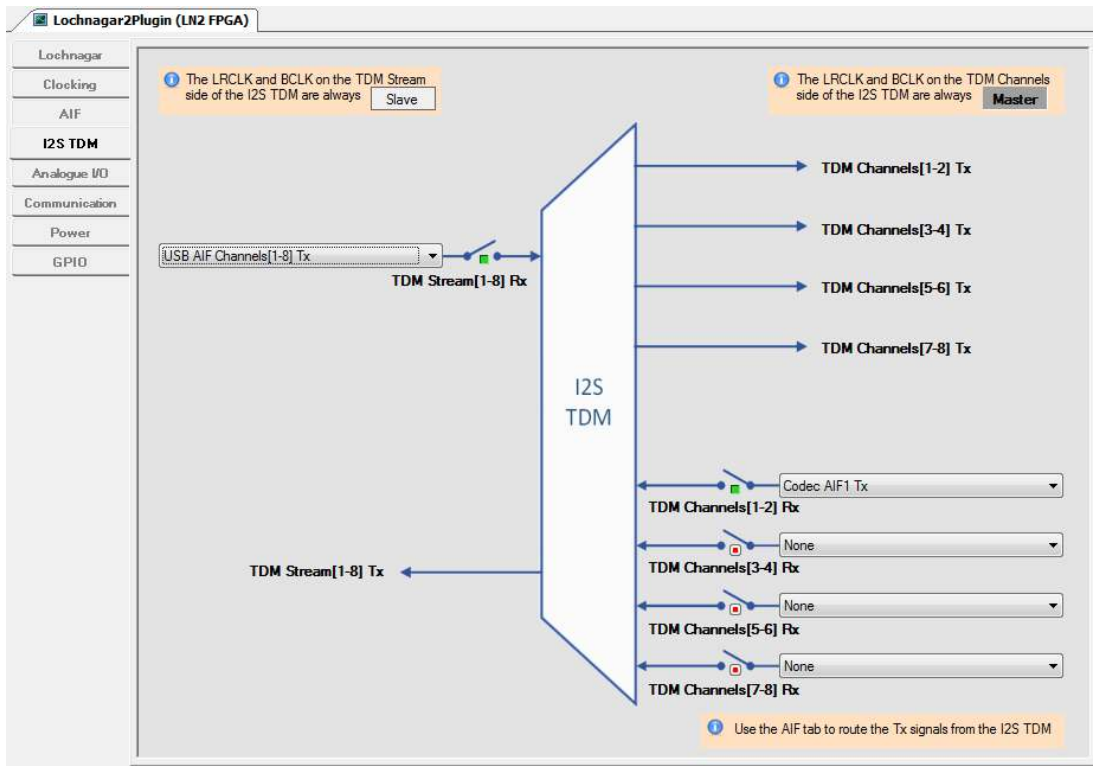


The I2S TDM peripheral splits an 8-channel TDM I2S stream into four separate stereo I2S buses. The peripheral assumes an audio channel size of 32-bits and will extract the data using that assumption. The clocks on the demuxed stereo streams are derived from the clocks on the TDM side, so they will always function as I2S masters with respect to their destinations. The derived BCLK signals on the stereo side will be four times slower than the BCLK on the TDM side.

It is possible to use as many or as few of the stereo I2S streams as is required by the end use case.

7.2 Configuring the I2S TDM Peripheral

The I2S TDM Mux/Demux is configured through the **I2S TDM** and **AIF** tabs of the Lochnagar 2 Plugin. These two tabs must be used in combination to configure the I2S TDM peripheral.



7.2.1 Example Configuration

This section will describe the steps required to connect the Lochnagar 2 USB audio streaming to the Codec AIF1 port through the I2S TDM peripheral. This will extract channels 1 and 2 of the 8-channel USB audio data and present it to Codec AIF1 as a stereo 64Fs I2S data stream. The stereo return data from the Codec AIF1 will be returned back to the USB streaming peripheral as an 8-channel I2S TDM signal from the I2S TDM Mux/Demux peripheral.

1. Set up the Codec MCLK using the **Clocking** panel of the Lochnagar 2 Plugin. As the data is coming from the USB audio streaming peripheral, one of the USB MCLK signals should be routed to Codec MCLK1. This could be either the 24.576 MHz or 12.288 MHz variant, as both are synchronous with the USB audio data.
2. On the **I2S TDM** panel, select the TDM Stream[1-8] Rx source as USB AIF Channels[1-8] Tx.
3. Click the Enable switch button next to the TDM Stream[1-8] Rx source selector box. This will change colour from red to green.
4. Select the TDM Channels[1-2] Rx source as Codec AIF1 Tx. This will route the return data from the codec back through the I2S TDM peripheral.
5. On the **AIF** panel, Select the Codec AIF1 Rx Source as TDM Channels[1-2] Tx. This will route the stereo data from the I2S TDM peripheral to the Codec AIF1.
6. Set the Codec AIF1 LRCLK and BCLK signals to Slave mode. This means that these clocks will be supplied by the I2S TDM peripheral.
7. Click the Enable button on the Codec AIF1 row.
8. Select the USB AIF Channels[1-8] Rx Source as TDM Stream[1-8] Tx. This will connect the 8-channel return path from the I2S TDM to the USB audio streaming peripheral.
9. Make sure the BCLK and LRCLK are set to Master mode in order to provide these clocks to the I2S TDM peripheral. USB Audio Streaming always operates in this mode, so no action is required in this example.

10. Set the High Frequency Mode setting for the USB AIF Channels[1-8] to Buffered mode to compensate for increased path delay in the I2S TDM peripheral.
11. Click the Enable button on the USB AIF Channels[1-8] row.

This setup is provided as one of the example scripts in the Lochnagar 2 Device Pack profile scripts directory.

7.2.2 Description of I2S TDM sinks and sources

The I2S TDM Mux/Demux is integrated with the Digital Audio routing functionality and has access to the full range of audio sources as any of the other AIF digital audio.

All I2S TDM use cases will require both **AIF** and **I2S TDM** panels of the Lochnagar 2 Plugin, as the functionality is heavily interlinked.

7.3 Clocking Restrictions

LRCLK and BCLK for the I2S TDM Mux/Demux peripheral are provided by the AIF source that is selected as the TDM Stream[1-8] Rx source. This source is selected on left side of the **I2S TDM** plugin tab. The corresponding AIF port must be set as BCLK and LRCLK Master on the **AIF** tab of the plugin, otherwise no clocks will be provided to the I2S TDM block.

Any AIF ports connected to the stereo inputs/outputs of the I2S TDM block must be set as BCLK and LRCLK Slave ports on the **AIF** page of the plugin, otherwise there will be a conflict as two clocks drive against each other.

Note that since the I2S TDM block is bidirectional, it is possible to connect different AIF ports to the upstream and downstream audio on each of the stereo and TDM sides. That is, the AIF port selected as the TDM side Channels[1-8] Rx Source must be set up as a clock Master, but this does not necessarily have to be the AIF port that receives the TDM Channels[1-8] Tx data. Due to the clocking restrictions about which ports can be masters/slaves, this can get confusing and such use cases must be treated with care.

High Frequency Mode

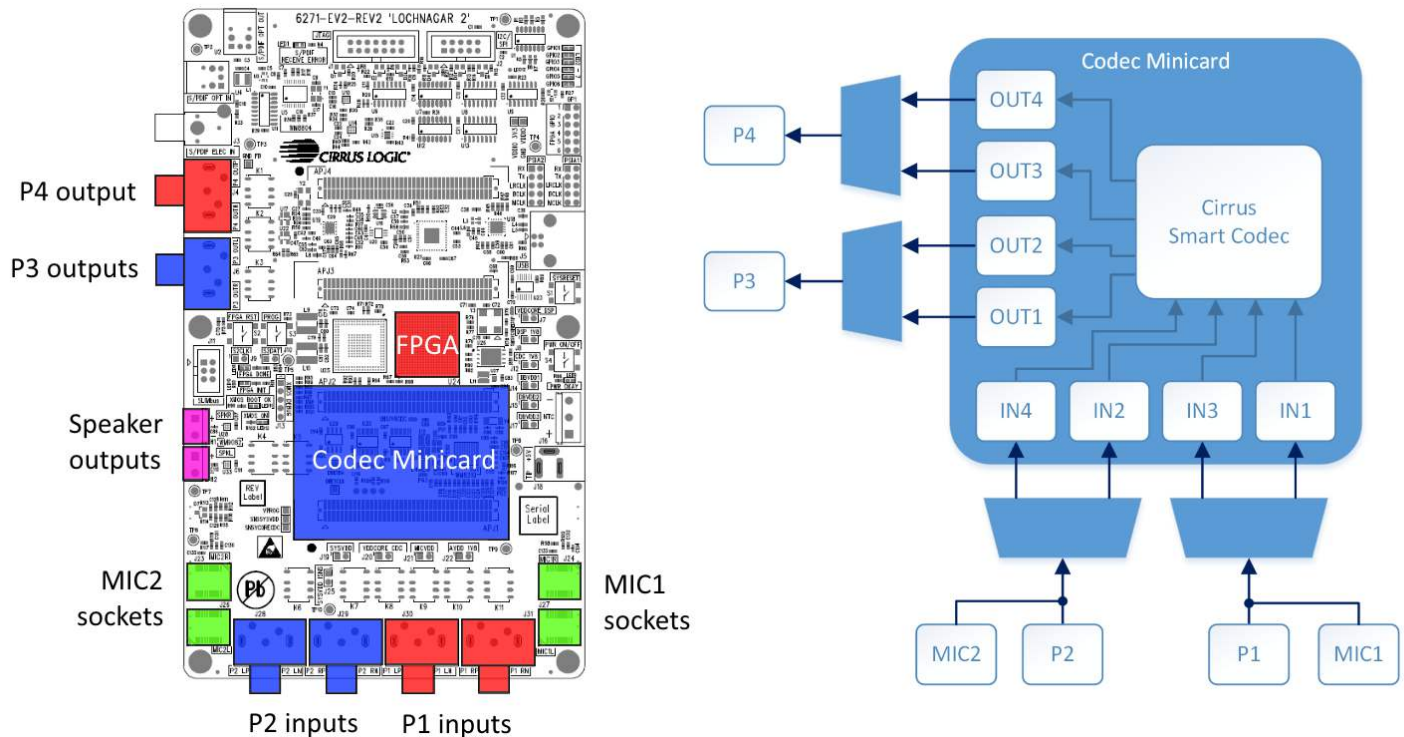
When using the I2S TDM block functionality, it is highly recommended to enable Buffered mode on the AIF Master that provides the I2S TDM peripheral with its BCLK and LRCLK.

The I2S TDM block will add extra latency into the audio path, and this may be enough to corrupt the return data for audio streams with high BCLK rates or long PCB traces. Enabling buffered mode will compensate for this extra round trip delay.

8 Analogue Audio

This section details the analogue audio inputs and outputs on the Lochnagar 2 board, and how to configure the routing. Analogue inputs and outputs are routed directly to the audio CODEC minicard through relays and switches. The FPGA registers control the positions of the relays, thus determining how the analogue I/O is connected to the Cirrus smart CODEC device.

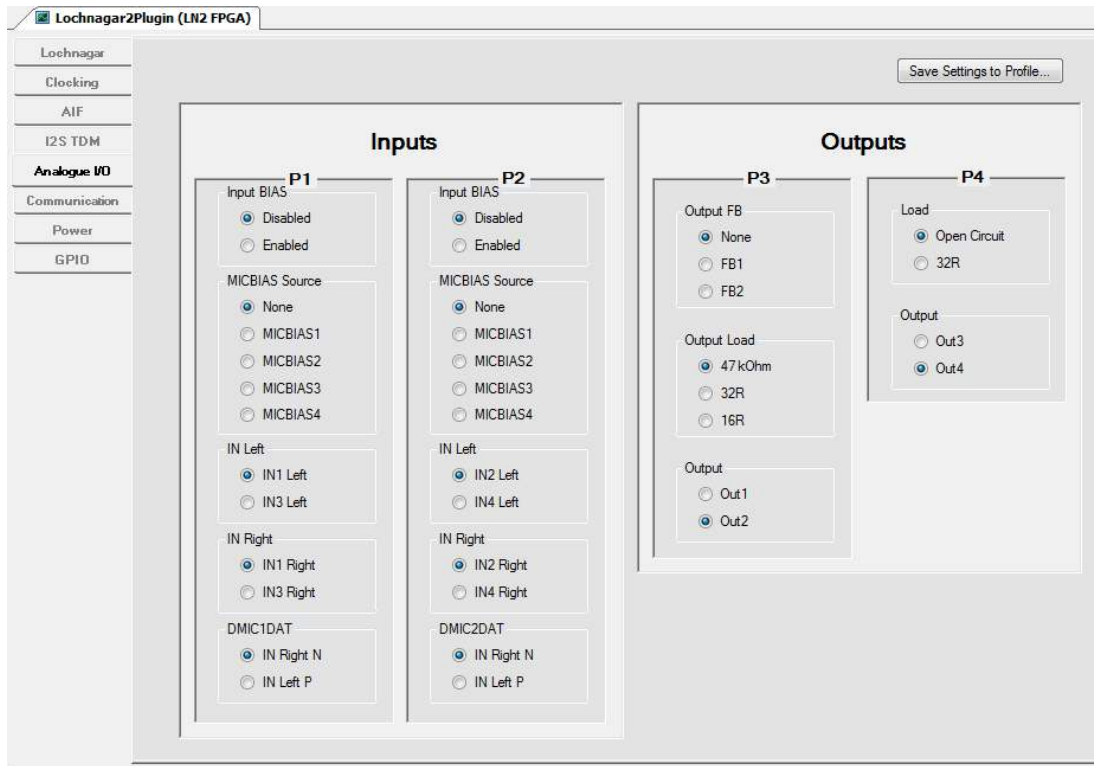
8.1 Analogue Port Connection Diagrams



Note that for some Codec Minicards, certain inputs and outputs may be unavailable, or may be used to support other features on the minicard itself. It is therefore important to check the minicard schematic to see exactly how the input and output signals are connected to the DUT on the minicard PCB. Newer Codec WISCE Device Pack installers may provide meta-data to the Lochnagar 2 Plugin, allowing it to display some of this context-dependent routing information.

8.2 Configuring Analogue Audio Routing

Routing the various analogue audio options can be done through the **Analogue I/O** page of the Lochnagar 2 Plugin.



8.2.1 Save Settings to Profile

Setting the relays and checking that they have correctly switched takes a finite amount of time and a sequencing of register writes.

Saving the current values of the analogue muxing registers will not replicate the current status, as it will not perform the correct sequencing.

A button marked **Save Settings to Profile...** will export the current panel settings into a profile script that performs the analogue settings correctly.

8.3 RCA Phono Input Ports

There are two sets of phono input ports, P1 and P2, each consisting of stereo differential pair signals (Positive and Negative signals for each of Left and Right channels). These phono connectors are directly tied to the microphone input sockets, so P1 cannot be used if there are microphones plugged into either or both of the MIC1 sockets and P2 cannot be used if there is a microphone plugged into either or both of the MIC2 sockets.

8.3.1 P1 phono inputs

P1 consists of four RCA phono inputs:

- P1 LP (red)
- P1 LN (white)
- P1 RP (red)

- P1 RN (white)

P1 can be used as either two single-ended inputs (usually using P1 LN and P1 RN, the white connectors on the upper side) or as two full differential inputs (using P1 LP and LN for the left channel input, and P1 RP and RN for the right channel input).

P1 will connect to either of the following input channels on the Codec Minicard:

- IN1
- IN3

Each of the left and right channels can be routed separately (for example P1 left channel can go to IN1 while P1 right channel goes to IN3).

This selection is made in the plugin.

Note that for some Codec Minicards, certain inputs may be unavailable, or may be used for other features (eg. headset feedback signals). It is therefore important to check the minicard schematic to see exactly how the input signals are connected on the minicard PCB. Newer Codec WISCE Device Pack installers may provide meta-data to the Lochnagar 2 Plugin, allowing it to display some of this context-dependent routing information.

8.3.2 P2 phono inputs

P2 consists of four RCA phono inputs:

- P2 LP (red)
- P2 LN (white)
- P2 RP (red)
- P2 RN (white)

P2 can be used as either two single-ended inputs (usually using P2 LN and P2 RN, the white connectors on the upper side) or as two full differential inputs (using P2 LP and LN for the left channel input, and P2 RP and RN for the right channel input).

P2 will connect to either of the following input channels on the Codec Minicard:

- IN2
- IN4

Each of the left and right channels can be routed separately (for example P2 left channel can go to IN2 while P2 right channel goes to IN4).

This selection is made in the plugin.

Note that for some Codec Minicards, certain inputs may be unavailable, or may be used for other features (eg. headset feedback signals). It is therefore important to check the minicard schematic to see exactly how the input signals are connected on the minicard PCB. Newer Codec WISCE Device Pack installers may provide meta-data to the Lochnagar 2 Plugin, allowing it to display some of this context-dependent routing information.

8.3.3 Input BIAS

It is possible to connect a MICBIAS voltage directly to the P channels of the RCA phono inputs by enabling the "Input BIAS" feature in the Lochnagar 2 Plugin. This connects the RCA inputs to the MICBIAS voltage selected in the "MICBIAS Source" selection and allows external ECM microphones to be connected to the RCA connectors. See the microphones' [MICBIAS](#) section for more details.

8.4 Analogue/Digital Microphones

The microphone sockets MIC1 and MIC2 allow up to four digital or analogue microphone minicards (also referred to as 'MIC coupons'). The full range of Cirrus analogue and digital microphones can be connected to the Lochnagar 2 system.

- The MIC1 sockets are directly tied to the P1 analogue RCA inputs - if the MIC1 sockets are in use, then the P1 RCA connectors cannot be used.
- The MIC2 sockets are directly tied to the P2 analogue RCA inputs - if the MIC2 sockets are in use, then the P2 RCA connectors cannot be used.

The routing options selected for P1 and P2 within the plugin will apply to the microphone inputs as they would to the RCA analogue inputs.

8.4.1 MICBIAS

The microphone sockets can be powered from one of up to four MICBIAS outputs on the Codec Minicard. This selection is made within the plugin.

| Mic socket | MICBIAS Source options |
|------------|------------------------------------------------------------------------------------------------------------------------------------------|
| MIC1 (P1) | <ul style="list-style-type: none"> • None • MICBIAS1 • MICBIAS2 • MICBIAS3 • MICBIAS4 |
| MIC2 (P2) | <ul style="list-style-type: none"> • None • MICBIAS1 • MICBIAS2 • MICBIAS3 • MICBIAS4 |

Note that some Codec Minicards may not have four MICBIAS outputs due to limitations of certain Cirrus Smart Codec devices. It is therefore important to always check the minicard schematic to see exactly how the output signals are connected on the minicard PCB. Newer Codec WISCE Device Pack installers may provide meta-data to the Lochnagar 2 Plugin, allowing it to display some of this context-dependent routing information.

8.4.2 Analogue Mics

When used with an analogue microphone coupon, the inputs will be connected as follows:

| Mic socket | Minicard connector |
|------------|----------------------------------|
| MIC1L | Differential P1 INLP and P1 INLN |
| MIC1R | Differential P1 INRP and P1 INRN |
| MIC2L | Differential P2 INLP and P2 INLN |
| MIC2R | Differential P2 INRP and P2 INRN |

Note that for some Codec Minicards, the connections from P1 and P2 may be routed to differently numbered input pins on the Cirrus Smart Codec itself. It is therefore important to always check the minicard schematic to see exactly how the output signals are connected on the minicard PCB. Newer Codec WISCE Device Pack installers may provide meta-data to the Lochnagar 2 Plugin, allowing it to display some of this context-dependent routing information.

8.4.3 Digital Mics

When used with a digital microphone coupon, the inputs will be connected as follows, depending on the DMICnDAT_SEL setting:

| Mic socket | DMICDAT_SEL = 0 | DMICDAT_SEL = 1 |
|-----------------|-------------------------------|-------------------------------|
| MIC1L and MIC1R | Clock: P1 INLN, Data: P1 INRN | Clock: P1 INLN, Data: P1 INLP |
| MIC2L and MIC2R | Clock: P2 INLN, Data: P2 INRN | Clock: P2 INLN, Data: P2 INLP |

Both left and right channel microphones use the INLN and INRN connectors. The stereo data signals are transmitted on either positive or negative clock edges depending on which of the MICnL/MICnR sockets the coupon is plugged into.

Some Smart Codec devices require the DMIC data signal to be connected to the the INRN analogue input on the Smart Codec, and some require that it connects to the INLP pin. Lochnagar 2 provides a relay switch that allows it to be connected to either of these input pins on the Smart Codec minicard. There will therefore be a required DMICDAT_SEL setting for each minicard that routes the DMICDAT signals to the appropriate pins.

Note that for some Codec Minicards, the connections from P1 and P2 may be routed to differently numbered input pins on the Cirrus Smart Codec itself. It is therefore important to always check the minicard schematic to see exactly how the output signals are connected on the minicard PCB. Newer Codec WISCE Device Pack installers may provide meta-data to the Lochnagar 2 Plugin, allowing it to display some of this context-dependent routing information.

8.5 RCA Phono Output Ports

There are two sets of phono output ports, P3 and P4. P3 is a stereo single-ended output pair, P4 is a mono differential output.

8.5.1 P3 phono outputs

P3 is a pair of single-ended RCA phono outputs:

- P3 OTR (red)
- P3 OUTL (white)

P3 can be connected to either of the following output channels on the Codec Minicard:

- OUT1
- OUT2

Note that for some Codec Minicards, certain outputs may be unavailable, or may not be routed down to the Lochnagar 2 board. It is therefore important to check the minicard schematic to see exactly how the output signals are connected on the minicard PCB. Newer Codec WISCE Device Pack installers may provide meta-data to the Lochnagar 2 Plugin, allowing it to display some of this context-dependent routing information.

8.5.1.1 Output FB

The feedback signal from P3 can be routed back to one of the following minicard feedback pins:

- FB1
- FB2
- None

8.5.1.2 Output Load

The P3 output signals can have one of the following loads applied:

- 47 kOhm
- 32 Ohm
- 16 Ohm

8.5.2 P4 phono output

P4 is a single channel differential RC phono output:

- P4 OUTN
- P4 OUTP

P4 can be connected to either of the following output channels on the Codec Minicard:

- OUT3
- OUT4

Note that for some Codec Minicards, certain outputs may be unavailable, or may not be routed down to the Lochnagar 2 board. It is therefore important to check the minicard schematic to see exactly how the output signals are connected on the minicard PCB. Newer Codec WISCE Device Pack installers may provide meta-data to the Lochnagar 2 Plugin, allowing it to display some of this context-dependent routing information.

8.5.2.1 Output Load

The P4 output signals can have one of the following loads applied:

- None (Open-circuit/CCT)
- 32 Ohm

8.6 Speaker Outputs

Lochnagar 2 is equipped with two screw-terminal speaker outputs, SPKL and SPKR which are powered by discrete Cirrus WM9082 speaker amplifiers. The central Lochnagar 2 FPGA can route PDM output signals from the Codec Minicard to these terminals. The speaker outputs are connected to the PDM output 1 pins from the Codec Minicard.

8.7 Analogue I/O on the minicard

Most smart codec audio minicards provide several analogue output ports. These usually consist of:

- 4-pole 3.5 mm Headset connector
- Earpiece output (screw terminals)
- Speaker outputs (screw terminals)

This will vary from minicard to minicard, so it is important to check the minicard schematics.

Minicards with a headset connector will often use one of the Cirrus device's analogue inputs to provide a feedback signal for the headphone connector. This means that it may not be possible to use that particular analogue input at the same time as using the headset output on the minicard. Check the minicard schematics to see which analogue input ports are affected by minicard board routing. Newer Codec WISCE Device Pack installers may provide meta-data to the Lochnagar 2 Plugin, allowing it to display some of this context-dependent routing information.

9 GPIOs

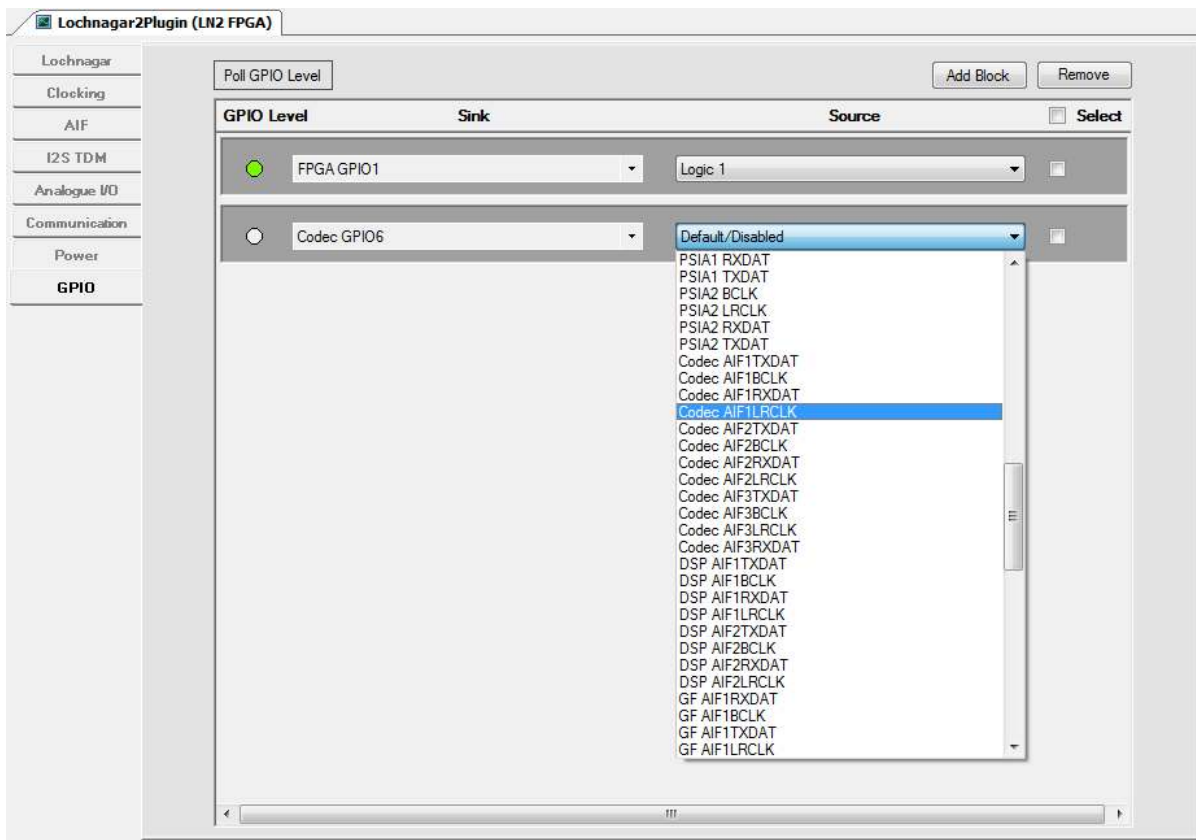
Lochnagar 2 provides advanced GPIO routing support that allows the full flexibility of any-to-any pin mapping.

With the increases in flexibility in GPIO usage that chips such as Clearwater and Moon bring over previous generations, Lochnagar 2 now also provides a similar level of control at the board level. On Clearwater onwards, there are at least 8 dedicated GPIO pins per chip, and in addition most digital I/O can also be used in GPIO mode, giving around 40 potential GPIO signals per chip. Lochnagar 2 allows any of these pins to be used in GPIO mode and allows them to be routed to any other digital I/O, regardless of the pin's default function.

Lochnagar 2 allows for up to 16 pairs of pins to be mapped as GPIOs at any one time.

9.1 Setting up GPIO routing

GPIO routing setup is controlled through the Lochnagar 2 Plugin.



1. Select the GPIO panel to begin setting up any-to-any pin GPIO connections.
2. Select "Add Block" to create a connection between two GPIO pins
3. Select the "Sink" from the left-hand drop-down list. The FPGA will actively drive onto this pin as an output
4. Select the "Source" from the right-hand drop-down list. The FPGA will use this pin as an input, and map the values onto the Sink pin.
5. If a GPIO connection is no longer required, mark the checkbox next to the connection and click the "Remove" button.

Note that if a GPIO pin on the system is used by another function, such as AIF, the plugin will highlight the AIF panel and display warnings to indicate that one of the AIF pins is being used as a GPIO and may not function correctly.

9.2 GPIO level

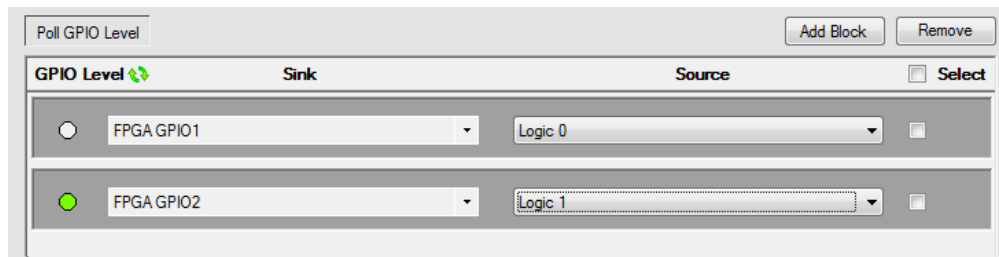
The Lochnagar 2 can display the current logic level for all signals that are routed through the GPIO system.

Click the "Poll GPIO Level" button in the top-left corner of the plugin's GPIO panel to enable this feature.

The logic high/low level for each GPIO will be displayed in the green circle to the left of the GPIO sink.

The green arrows next to "GPIO Level" indicate that the plugin is currently polling, and the logic states shown in the plugin are up-to-date.

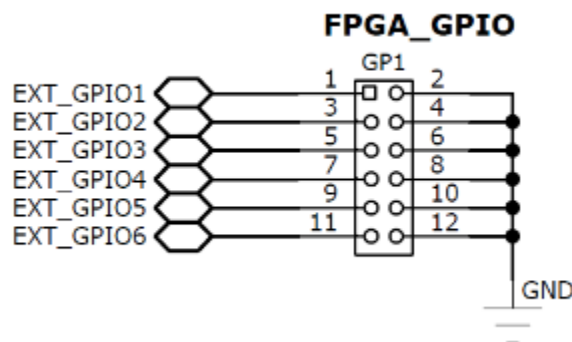
Note that enabling this feature will generate a lot I2C traffic in the WISCE history window as the plugin polls the Lochnagar 2 board to read the current logic levels. The refresh rate will depend on many elements including PC speed and amount of other USB traffic on the bus.



9.3 Lochnagar 2 on-board GPIOs/LEDs

Lochnagar 2 has six dedicated GPIO pins for debug purposes, which are accessible through the GP1 header on the top-right corner of the board.

These are listed in the plugin and register map as **FPGA GPIO1** to **FPGA GPIO6**.



The six dedicated GPIOs are tied directly to the bank of six LEDs in the same corner of the Lochnagar 2 board, such that the logic values on the GPIOs can be observed visually without the need for an oscilloscope. The value on the pins can also be read back by software. This is done by setting up "FPGA GPIO1" as a GPIO sink and enabling the polling feature from the Lochnagar 2 Plugin.



The Lochnagar 2 GPIO pins operate on the 3.3V voltage domain.

9.4 GPIOs on Codec Minicards

Codec Minicards have reserved pins for up to eight dedicated GPIO signals from the Cirrus Smart Codec. At present, no Cirrus Smart Codec has more than 8 dedicated GPIO pins. The positions of other shared-function GPIO pins will change from chip to chip, so GPIO16 may be an AIF pin on some devices or a PDM pin on others. For this, it is vital to check the device datasheet to correlate GPIO numbers & pin functions.

It is also worth noting that some devices have less than eight dedicated GPIO pins and therefore these signals will be left floating on the minicard.

Depending on the minicard design, it is probable that the schematic will be using at least one of the eight available GPIO pins on the Cirrus Smart Codec for a fixed function such as clock output or headset polarity switching. As such, even if the device has eight dedicated GPIO pins, it is likely that only a subset of these GPIO pins will be routed down to the Lochnagar 2 board & FPGA. For this reason, it is vital to consult the schematics for the minicard to ensure that the GPIO you are trying to use is actually connected.

9.5 Descriptions of GPIO sinks and sources

This section lists and describes the pins that can be used as GPIO sinks and GPIO sources using the Lochnagar 2.

9.5.1 GPIO Sink List

This chooses which pin you wish to use as a GPIO. This may be a dedicated GPIO pin, or a digital I/O pin that has an alternate function (eg. digital audio LRCLK pin). This pin will be driven as an output from the FPGA with the value of the source signal selected in the GPIO source list. The register map addresses associated with these GPIO sinks is provided for advanced users.

| Name | Related Registers | Description |
|-----------------------------------------------|-------------------|---------------------------------------------------------------------------------|
| None | | No GPIO sink has been selected |
| FPGA GPIO _n | R31h - R36h | Drives out onto one of the 6 pins on the GPIO Header / LED Bank |
| Codec GPIO _n | R37h - R3Eh | Drives out onto one of the 8 dedicated GPIO pins on the Codec Minicard |
| DSP GPIO _n | R3Fh - R44h | Drives out onto one of the 6 dedicated GPIO pins on the DSP Minicard |
| GF GPIO _n | R45h - R47h | Drives out onto one of the 3 dedicated GPIOs on the underside Expansion Headers |
| Codec AIF _n BCLK/RXDAT/LRCLK/TXDAT | R48h - R53h | Drives out onto the AIF pins on the Codec Minicard |
| DSP AIF _n BCLK/RXDAT/LRCLK/TXDAT | R54h - R5Bh | Drives out onto the AIF pins on the DSP Minicard |
| PSIA _n BCLK/RXDAT/LRCLK/TXDAT | R5Ch - R63h | Drives out onto the pins on the PSIA headers |
| GF AIF _n BCLK/RXDAT/LRCLK/TXDAT | R64h - R73h | Drives out onto the AIF pins on the underside Expansion Header |
| DSP UART _n RX/TX | R74h - R77h | Drives out onto the UART pins on the DSP Minicard |
| GF UART2 RX/TX | R78h - R79h | Drives out onto the UART pins on the underside Expansion Header |
| USB UART RX | R7Ah | Drives out onto the UART RX pin of the Generic USB UART device |
| Codec PDMCLK/DAT _n | R7Ch - R7Fh | Drives out on the PDM pins on the Codec Minicard |
| Codec DMICCLK/DAT _n | R80h - R87h | Drives out onto the DMIC pins on the Codec Minicard |
| DSP DMICCLK/DAT _n | R88h - R8Bh | Drives out onto the DMIC pins on the DSP Minicard |
| I2C _n SCL/SDA | R8Ch - R91h | Drives out onto the I2C pins of systemwide I2C buses 2, 3 or 4 |
| DSP STANDBY N | R92h | Drives out onto the 'standby' pin on the DSP Minicard |
| Codec MCLK _n | R93h - R94h | Drives out onto the MCLK pins on the Codec Minicard |
| DSP CLKIN | R95h | Drives out onto the CLKIN pin on the DSP Minicard |
| PSIA _n MCLK | R96h - R97h | Drives out onto the MCLK pins on the PSIA headers |

9.5.2 GPIO Source List

This logic value on the selected source will be applied to the GPIO sink pin selected in the GPIO sink list. The binary values are provided for advanced users.

| Name | Binary Value | Description |
|--------------------------------|------------------|------------------------------------------------------------------------------------------------------------------------------------------------------------------------------------|
| Default/Disabled | 0x00 | Not used as a GPIO |
| FPGA_GPIOn | 0x00 - 0x06 | Connects to one of the 6 pins on the Lochnagar 2 GPIO Header / LED Bank |
| CDC_GPIOn | 0x07 - 0x0E | Connects to one of the 8 dedicated GPIO pins on the Codec Minicard |
| DSP_GPIOn | 0x0F - 0x14 | Connects to one of the 6 dedicated GPIO pins on the DSP Minicard |
| GPIOn_GF | 0x15 - 0x17 | Connects to one of the 3 dedicated GPIOs on the underside Expansion Headers |
| CDC_CLKOUT | 0x20 | Connects to the clock output pin of the Codec Minicard |
| DSP_CLKOUT | 0x21 | Connects to the clock output pin of the DSP Minicard |
| PMIC_32K | 0x22 | Connects to the 32.768 kHz output clock from the PMIC chip |
| SPDIF_CLKOUT | 0x23 | Connects to the 12 MHz output clock from the S/PDIF Transceiver chip |
| CLK_12.288MHz | 0x24 | Connects to the 12.288 MHz clock from the onboard clock generator chip |
| CLK_11.2986MHz | 0x25 | Connects to the 11.2986 MHz clock from the onboard clock generator chip |
| CLK_24.576MHz | 0x26 | Connects to the 24.576 MHz clock from the onboard clock generator chip |
| CLK_22.5792MHz | 0x27 | Connects to the 22.5792 MHz clock from the onboard clock generator chip |
| USB_MCLK | 0x29 | Connects to the USB MCLK: 24.576 MHz (22.5792 MHz) signal. Frequency will depend upon sampling rate of audio being transferred over USB. Will be either 24.576 MHz or 22.5792 MHz. |
| GF_CLKOUTn | 0x2A, 0x2E | Connects to the one of the clockout signals going to the underside Expansion Headers |
| GF_MCLKn | 0x2B, 0x2D, 0x2C | Connects to the MCLK signals coming from the underside Expansion Headers |
| CDC_MCLKn | 0x2F - 0x30 | Connects to one of the 2 MCLK signals going to the Codec Minicard |
| DSP_CLKIN | 0x31 | Connects to the CLKIN signal going to the DSP Minicard |
| PSIA_n_MCLK | 0x32 - 0x34 | Connects to the MCLK signals coming from / going to the PSIA headers |
| SPDIF_MCLK | 0x34 | Connects to the MCLK signal coming from the S/PDIF transceiver. Frequency will depend upon the sampling rate of the audio. |
| CDC_IRQ_N | 0x42 | Connects to IRQ signal coming from the Codec Minicard |
| CDC_RST_N | 0x43 | Connects to hard reset signal going to the Codec Minicard |
| DSP_RST_N | 0x44 | Connects to hard reset signal going to the DSP Minicard |
| DSP_IRQ_N | 0x45 | Connects to IRQ signal coming from the Codec Minicard |
| DS_STANDBY_N | 0x46 | Connects to Standby signal going to the Codec Minicard |
| PSIA_n_BCLK/LRCLK/RXDAT/TXDAT | 0x50 - 0x57 | Connects to the PSIA header pins |
| CDC_AIFnBCLK/LRCLK/RXDAT/TXDAT | 0x58 - 0x63 | Connects to the AIF pins on the Codec Minicard |
| DSP_AIFnBCLK/LRCLK/RXDAT/TXDAT | 0x64 - 0x6B | Connects to the AIF pins on the DSP Minicard |
| GF_AIF3BCLK/LRCLK/RXDAT/TXDAT | 0x6C - 0x7B | Connects to the GF AIF3 pins on the underside Expansion Headers |
| CDC_PDMCLK/DATn | 0x90 - 0x93 | Connects to the PDM signals on the Codec Minicard |
| CDC_DMICCLK/DATn | 0xA0 - 0xA7 | Connects to the DMIC signals on the Codec Minicard |
| DSP_DMICCLK/DATn | 0xA8 - 0xAB | Connects to the DMIC signals on the DSP Minicard |
| DSP_UARTn_RX/TX | 0xC0 - 0xC3 | Connects to the UART signals on the DSP Minicard |
| GF_UARTn_RX/TX | 0xC4 - 0xC5 | Connects to the UART signals on the underside Expansion Headers |
| USB_UART_RX/TX | 0xC6 - 0xC7 | Connects to the UART signals coming from the USB interface |
| I2Cn_SCL/SDA | 0xE0 - 0xE5 | Connects to the various I2C buses on the Lochnagar 2 system |
| Logic 0 | 0xFE | Applies a logic '0' signal |
| Logic 1 | 0xFF | Applies a logic '1' signal |

10 JTAG

The Lochnagar 2 has JTAG debugging functionality built in through the USB interface, and does not require any third party adapters for on-chip debugging of ADSP2 cores.

The JTAG header J1 is still present on the Lochnagar 2 board, so it is still possible to use an external controller such as the Macraigor usb2Wiggler if required.

10.1 Required Chess toolchain update

Some machines in combination with some versions of the Synopsys Chess toolchain may have trouble connecting JTAG on Lochnagar 2 platforms.

In this situation, ChessDE always reports that the PM0 contents are 0xFFFFFFFF.

If observed, it is recommended to update to the latest version of the Synopsys Chess toolchain.

10.2 JTAG configuration

JTAG settings on Lochnagar 2 are configured via the "Communication" panel on the Lochnagar 2 Plugin.



JTAG can be sourced from one of two sources:

- USB: JTAG interface to computer via the Lochnagar 2 USB cable
- External Header: 14-pin J1 "JTAG" header at top of Lochnagar 2 board. This can be used with standard JTAG dongles such as Macraigor usb2Wiggler (U2W-ONCE variant)

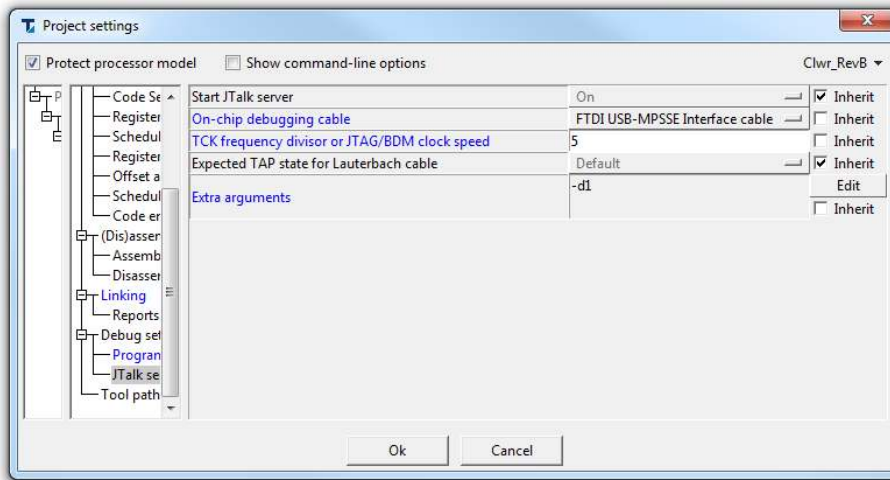
JTAG can be used to debug DSP cores on either of the Codec or DSP minicard headers. The same JTAG source cannot be used for both Codec and DSP minicard devices.

10.2.1 Example configuration

1. Make sure that the Lochnagar 2 board is connected to the PC via the USB cable.
2. Enable JTAG from USB to the Codec minicard in the Lochnagar 2 plugin:

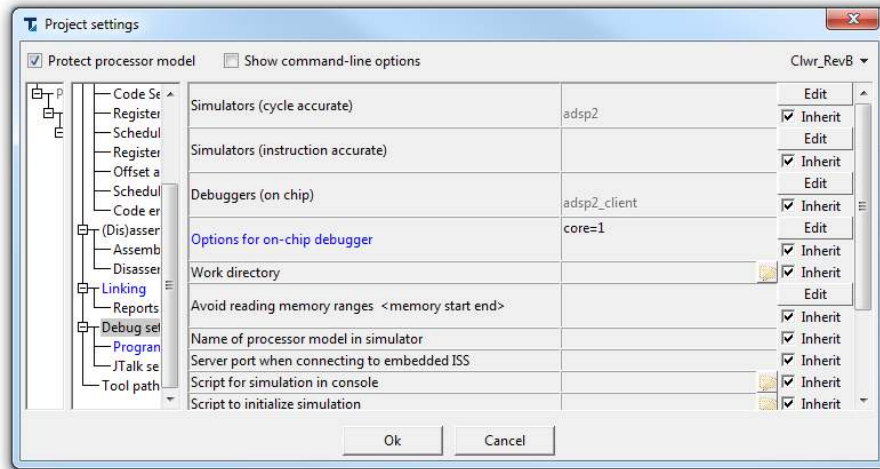


3. In the Chess Project settings, select the FTDI USB-MPSSE Interface cable, a TCK frequency divisor of 5, and an extra argument of -d1.



4. Rebuild the Chess project and download it to the Cirrus Smart Codec device in the usual way.
5. Ensure the debug clock is enabled on the Cirrus Smart Codec device, and that the core is programmed and running.
6. It should now be possible to start debugging from the ChessDE environment in the usual way.

The correct core must be specified in the Chess 'Debug settings' menu. This is done by specifying 'core=n', where n is the core number from 1-7. Make sure that the build configuration in the top-right corner is set to the correct chip, rather than <All>. If not specified, Chess will default to debugging core 1.

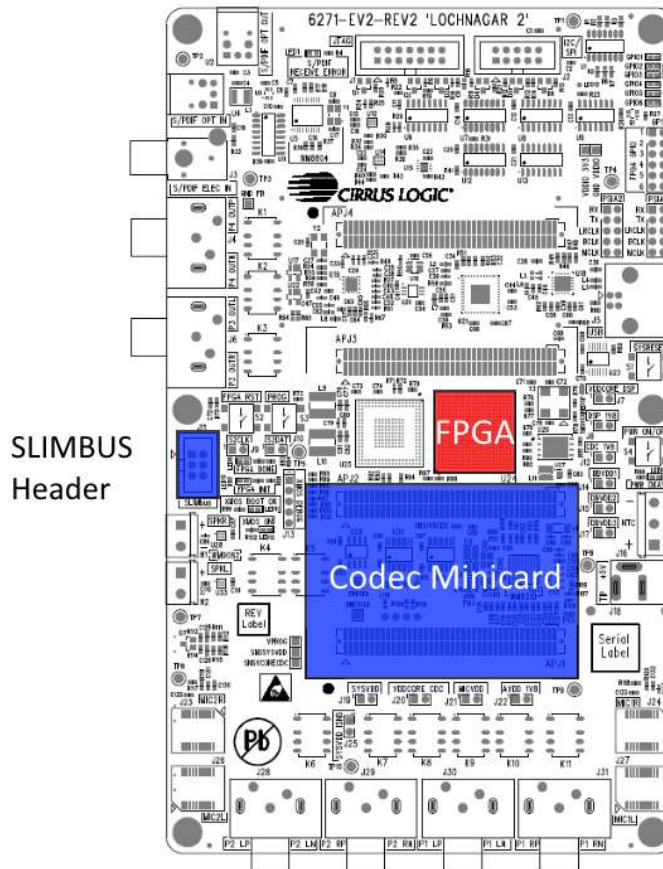


11 SLIMbus

Cirrus Smart Codec devices on Lochnagar 2 can be controlled using the SLIMbus protocol.

SLIMbus is an interface protocol that can be used for both control (i.e. writing to Codec register map) and audio transport. It is a very flexible protocol which can be changed dynamically to facilitate high and low bandwidth traffic as efficiently as possible. With Multiline SLIMbus, this is further improved with extra data lines specifically used for data transport, as well as other updates/features to improve firmware transfer rates.

Lochnagar 2 does not natively support this format through USB. Third-party equipment must be used to connect through the J11 "SLIMbus" header on the board. An Application Processor connected to the Expansion Headers on the underside of Lochnagar 2 can also use the SLIMbus protocol to communicate with the Smart Codec using SLIMbus protocol.



11.1 SLIMbus Header

The signals from the SLIMbus Connector J11 are routed directly to the Codec Minicard and can be used to control it directly.

No additional register configuration is required on the Lochnagar 2 board to enable this.

| J11 Pin | Signal |
|---------|---------|
| 1 | SLIMCLK |
| 2 | GND |
| 3 | SLIMDAT |
| 4 | GND |
| 5 | n/c |
| 6 | GND |

11.2 SLIMbus through Expansion Headers

The expansion headers on the underside of Lochnagar 2 are connected to the Codec Minicard SLIMbus signals. If an Application Processor that supports SLIMbus protocol is connected to the Lochnagar 2 expansion headers, it can be used to control the Smart Codec via this interface.

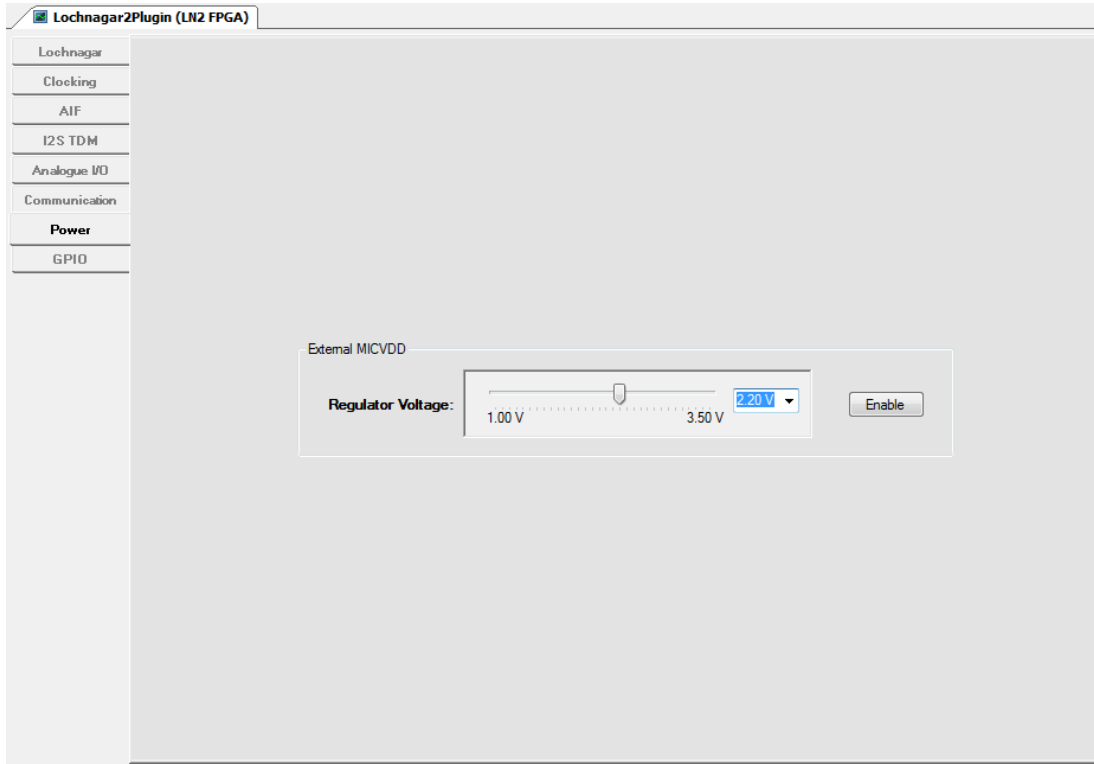
No additional register configuration is required on Lochnagar 2 to enable this.

12 Power

The Lochnagar 2 provides a level of configuration for the power supply rails on the board. The MICVDD rail is at present the only configurable voltage rail.

12.1 Configuring Power Options

The power rail options are configured through the **Power** tab of the Lochnagar 2 Plugin.



12.2 MICVDD Options

Most Cirrus Smart Codec devices generate their own MICVDD voltages from an internal regulator and therefore this power rail is usually an output from the Codec minicard.

However, some Smart Codecs do not have an internal regulator and require MICVDD to be supplied as an input to the chip. Lochnagar 2 provides the option to generate voltage on the MICVDD rail and supply it to the chip. The voltage can be configured as any value between 1.00 V and 3.50 V, stepping in 0.05 V increments between 1.00 and 1.60 V and 0.1 V increments between 1.60 and 3.50 V.

12.2.1 Example Configuration

To configure the MICVDD voltage:

1. Navigate to the **Power** tab of the Lochnagar 2 Plugin.
2. Select the desired voltage level from the slider / drop-down menu.
3. Click the "Enable" button to supply this voltage on the MICVDD rail.

MICVDD should only be enabled on the Lochnagar 2 for devices that do not generate their own MICVDD voltage internally.

13 Current Monitor

Lochnagar 2 features built-in Current Monitor circuitry that allows for the measurement of both voltage and current on up to eight of the supply voltage rails provided to the minicards. The Current Monitor does not require any hardware modifications or external circuitry to operate. The current and voltage measurements are obtained through the standard register map interface to the Lochnagar 2 FPGA, and can therefore be monitored by software.

13.1 Lochnagar 2 Power Rails

The current monitor is provided for indication purposes only and not as an absolute measurement.

All rails are accurate to roughly 1% for all measurements above 1 mA.

For greater accuracy, a removable jumper is provided on each rail to allow for the serial insertion of an external multimeter.

13.1.1 Monitored Voltage Rails

| Channel | Rail | Minicard | Jumper | Notes |
|---------|-------------|-------------|--------|--------------------------------------------------------------------------------------------------------------------------------------------------------------------------------------------------------------------------------------------------------------------------------------------------------------------------------------------------------------------------------------------------------------------|
| 1 | DBVDD1 | Codec | J14 | |
| 2 | 1V8 DSP | DSP / Codec | J8 | |
| 3 | 1V8 CDC | Codec | J12 | |
| 4 | VDDCORE DSP | DSP / Codec | J7 | |
| 5 | AVDD 1V8 | Codec | J22 | |
| 6 | SYSVDD | Codec | J25 | <ul style="list-style-type: none"> It is not possible to measure voltage on the SYSVDD rail. Current measurements on the SYSVDD rail will have a fixed offset that varies from board to board. It is recommended to calibrate SYSVDD current measurements by measuring the current with no minicard connected to determine this offset, or by connecting an external multimeter to verify. |
| 7 | VDDCORE CDC | Codec | J20 | |
| 8 | MICVDD | Codec | J21 | <ul style="list-style-type: none"> Voltage monitor readback will saturate at 2.5 V, although this rail is capable of running up to 3.3 V. |

The channel number determines the order that the rails are displayed within the Current Monitor plugin and is used by the register interface to trigger readings on each of the rails.

The minicard column shows which minicard type this power rail can power. The DSP power rails can also be used by 3-header Codec cards that span headers APJ1 to APJ3. Note that not all minicards will use all the available power supplies, and that sometimes minicard schematic designers may choose to connect various supply rails together. For example, the DBVDD1 supply rail from Lochnagar may be left disconnected on the minicard if the designer has chosen to connect the Smart Codec's DBVDD1 pin to the generic 1V8 CDC rail instead.

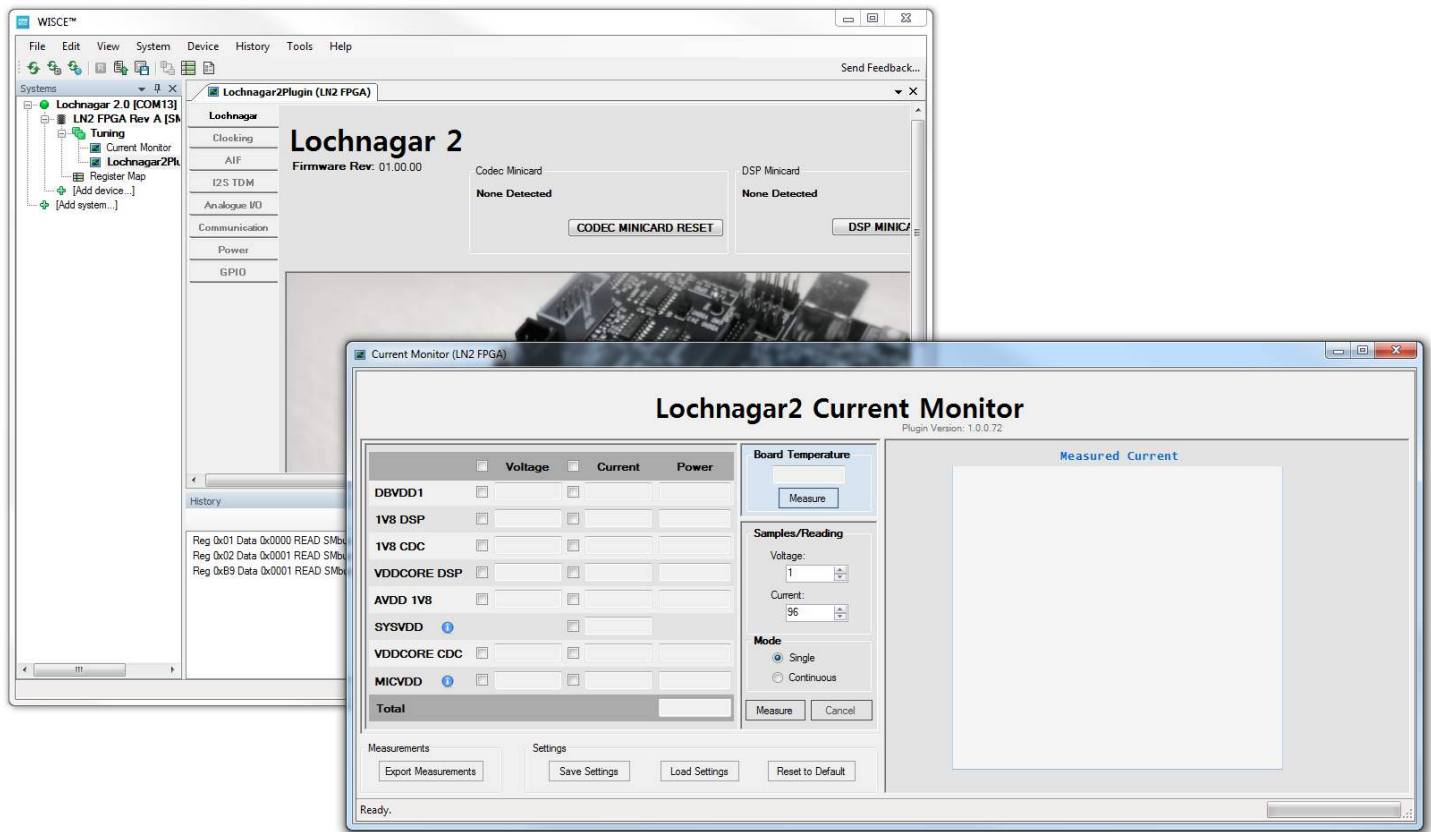
13.1.2 Unmonitored Voltage Rails

There is no provision to monitor the following voltage rails using the built-in Current Monitor. To measure current on these rails, remove the appropriate jumper and insert a digital multimeter in serial between the two pins of the jumper header.

| Rail | Micocard | Jumper |
|--------|----------|--------|
| DBVDD2 | Codec | J15 |
| DBVDD3 | Codec | J17 |

13.2 Current Monitor Plugin

The Current Monitor is accessed through the Lochnagar 2 Register Map. The interface requires a complex sequence of register writes in order to trigger and interpret measurements, so this has been simplified by providing a plugin interface. The **Current Monitor** plugin is provided separately to the main **Lochnagar2Plugin**. Having them separate allows the user to undock and view the two plugins simultaneously. Both can be accessed from the "Tuning" folder of the LN2 FPGA device in the WISCE Systems tree.



13.2.1 Voltage / Current Rail Selection

Two checkboxes are provided for each of the measureable rails: one for measuring voltage, the other for current. At the top of each column, there is an additional checkbox that allows all voltages or current checkboxes to be selected/deselected in a single click.

When a measurement is triggered in either Single or Continuous mode, the current monitor plugin will measure all currents and voltages that are currently checked. The operation will take longer when more checkboxes are ticked.

13.2.2 Power Measurement

If both Voltage and Current measurements are selected for the same rail, the plugin will also calculate the power consumed on that rail by multiplying the values together. It will also automatically sum all of the calculated power values into a total, displayed underneath the table. This applies to both Single and Continuous measurement modes.

13.2.3 Measurement Modes

13.2.3.1 Single

In Single Measurement Mode, pressing the "Measure" button will trigger a single measurement of all voltages and currents that are currently checked. The values will be displayed in the boxes next to the checkbox. Graphing is disabled in Single Measurement Mode.

13.2.3.2 Continuous

In Continuous Measurement Mode, the "Measure" and "Cancel" buttons will change into "Start" and "Stop" buttons. The Current Monitor plugin will repeatedly trigger measurements of all selected voltages and currents until the "Stop" button is pressed. When in continuous measurement mode, the plugin will also chart the selected current measurements on a graph for ease of visibility over time. The refresh rate of the measurements/graph will depend on how many currents and voltages are being simultaneously measured.

13.2.4 Samples/Reading

These parameters control the filtering performed by the current measurement circuitry, and determine how many raw samples are required in order to obtain one voltage or current measurement. Each parameter is in the range 1-1023. The higher this number, the more samples are used to produce a voltage or current measurement value. High numbers will result in slower but more precise measurements. Low values will result in faster but less precise measurements.

The recommended default values for the Samples/Reading settings are:

| Measurement Type | Default S/R |
|------------------|-------------|
| Voltage | 1 |
| Current | 96 |

13.2.5 Export Measurements

The Export Measurements button will take the current set of measurements displayed in the plugin and save them as a Comma Separated Values (CSV) file that can be opened in a spreadsheet or text editor.

13.2.6 Save/Load/Restore Settings

The Current Monitor plugin will automatically store the current configuration (selected checkboxes, samples/reading settings and measurement mode) as an XML file and will automatically restore them the next time the plugin is opened. This means that the user does not have to re-select their desired current or voltage rails every time the WISCE application is opened. The "Save Settings" button allows the user to save a copy of the XML file to their hard drive in order to share it with others, or quickly switch between different Current Monitor configuration. The "Load Settings" button allows the user to load in a previously saved XML file to restore those settings. The "Restore to Default" button will reset all options in the plugin back to their default values.

13.2.7 Board Temperature

Press the "Measure" button to perform a temperature measurement on the Lochnagar 2 board.

The temperature will be measured by U41 on the underside of Lochnagar 2. The measurement capability of this chip is accurate to +/- 2 degrees Celsius.

14 Example Setup Scripts

This page details the example setup scripts provided as part of the WISCE™ Device Pack. Scripts are not backwards/forwards compatible between Lochnagar 2 and the original Lochnagar board.

14.1 WISCE™ Profile Scripts

A WISCE™ Profile Script is a text file containing a sequence of register reads and writes. Each line of the text file contains a separate register read or write command. Profile Scripts are used to automate chip setup for Cirrus devices, to replicate existing setups and/or return the board to a known configuration.

Profile Scripts can:

- Write to multiple devices on the system
 - For example, the same profile script can write to registers on a Cirrus Smart Codec device and also to the Lochnagar 2 FPGA.
- Recursively call other Profile Scripts
 - For example, a common set up of Lochnagar 2 FPGA setup scripts can be called by a variety of higher level scripts that configure both the LN2 board and Codec device.

The WISCE™ Profile Scripts provided with the Lochnagar 2 WISCE™ Device Pack are installed automatically to the following directory:

```
C:\Program Files (x86)\Wolfson Evaluation Software\Profiles\Lochnagar2
```

Assuming that the WISCE™ application has been installed to the default installation directory. The "Profiles" folder of the WISCE™ installation directory should be the default search path when the user clicks on File->Load.. within the WISCE™ application. Profile Scripts are run from within WISCE™ by clicking on File->Load... and selecting the appropriate Profile Script text file.

14.2 Lochnagar 1 and Lochnagar 2 Register Compatibility

Lochnagar 2 registers are in a different format to the registers of the original Lochnagar board, so unfortunately scripts are not forwards/backwards compatible. The top-level scripts provided in the Lochnagar 2 Device Pack use a new WISCE™ feature to check the Lochnagar board identification register and load a different sub-script depending on whether a Lochnagar 1 or Lochnagar 2 board is detected.

The scripts included with the Lochnagar 2 Device Pack use brand new WISCE™ feature to detect whether a Lochnagar 1 or Lochnagar 2 board is connected. This feature allows the top level profile script to read register 0x00 of the Lochnagar device (at I2C address 0x44) and load a different lower level FPGA configuration script depending on whether Lochnagar 1 or Lochnagar 2 is detected. An example is shown below:

```
* If Lochnagar 1 (ID = 0x50) is present at register 0x00 address 0x44, then load the
spdif_to_cdc_aif1.txt file
* Otherwise load L2_spdif_to_cdc_aif.txt
```

```
IF 0x00 0x50 Smbus_8_bit_data CHECK 0x44 0xFF
LOAD spdif_to_cdc_aif1.txt
ELSE
LOAD L2_spdif_to_cdc_aif1.txt
ENDIF
```

This feature was introduced in WISCE™ 3.4.0.19. The profile scripts provided with this Device Pack will generate an error on previous versions of WISCE™, as they do not understand the IF/ELSE syntax.

14.3 Details of Scripts Provided

The scripts provided with the Lochnagar 2 Device Pack are split into two types.

14.3.1 Configuration Template Script

The configuration template file provides a blank template for configuring a full system including both a Lochnagar board and a Smart Codec minicard. It detects whether the system is using a Lochnagar 1 or Lochnagar 2 and allows the user to load a sub-script based upon this detection. The file then provides commented sections to illustrate the normal sequence for setting up registers in a Cirrus Logic Smart Codec.

Note that specific example scripts for setting up particular Smart Codecs are provided along with the WISCE Device Pack for that Smart Codec device.

| Name of Script | Description |
|----------------------------|-------------------------------------------------------------------------------------------------------------------------------------------------------------------------------------------------------------------------------------------------------------------------------------------------------------------------------------------------------------------------------------------------------------------------------------------------------------------------------------------------------------------------------------------------------------------------------------------------------------------------------------------------------------------------------------------------------------------------------------------------------------------------------------------------------------------------------------------------------------------------------------------------------------------------------------------------------------------------------------------------------------------------------------------------------------------------------------------------------------------------------------------------------------------------------------------|
| Configuration_Template.txt | <p>Configuration Template for Smart Codec Setup</p> <p>This file illustrates the normal sequencing for initialising a Lochnagar based platform with a Cirrus Logic Smart Codec device. The file consists of commented sections which show the generic order of configuration. The file does not contain any register writes to the Smart Codec and is intended to be filled in as a template by the end user.</p> <p>The sections are:</p> <ol style="list-style-type: none"> 1) Lochnagar. This section will call either a Lochnagar 1 or Lochnagar 2 setup script depending on which board is detected. This illustrates how the branching feature of WISCE profile scripts can be used to support both hardware platforms. 2) Patch File (if required) 3) Clocking config 4) Power management (micbias) 5) Input enables 6) AIF enables 7) Mixer setup 8) Download DSP 9) Output setup <p>It is not required to fill in all sections. For example, if there is no DSP required in the intended use case, it is not necessary to download any firmware to the DSP cores in section 8.</p> |

14.3.2 Lochnagar Setup Scripts

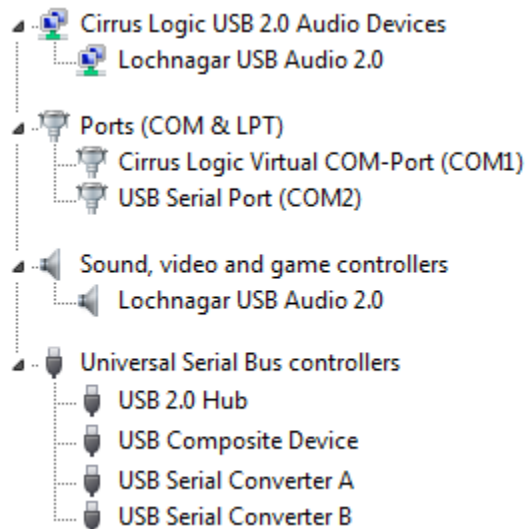
The lower-level Lochnagar 1 and Lochnagar 2 setup scripts are usually loaded by top-level system configuration scripts such as the configuration template, and may be re-used in various Smart Codec use cases. It is intended that the end user use the WISCE plugin to create their own setup scripts for custom use cases if the example scripts do not meet their needs.

| Name of Script | Description |
|-------------------------------|----------------------------------------------------------------------------------------------------------------------------------------------------------------------------------------------------------------------------------------------------------------------------------------------------------------------------------------------------------------------------------------------------------------------------------------------------------------------------------------------------------------------------------------------------------------------------------------|
| L1_spdif_to_cdc_aif1.txt | <p>Lochnagar 1 configuration script. <i>Should only be called when Lochnagar 1 board is detected.</i> This configures Lochnagar 1 FPGA routing path for S/PDIF transceiver to AIF1 of the Codec minicard.</p> <ul style="list-style-type: none"> • Routes S/PDIF MCLK to Codec MCLK1 • Routes PMIC 32k Clock to Codec MCLK2 • Routes S/PDIF audio to Codec AIF1 and return path |
| L2_spdif_to_cdc_aif1.txt | <p>Lochnagar 2 configuration script. <i>Should only be called when Lochnagar 2 board is detected.</i> Configures Lochnagar 2 FPGA routing path for S/PDIF transceiver to AIF1 of the Codec minicard.</p> <ul style="list-style-type: none"> • Routes S/PDIF MCLK to Codec MCLK1 • Routes PMIC 32k clock to Codec MCLK2 • Routes S/PDIF audio to Codec AIF1 and return path • Enables S/PDIF transceiver for optical input in hardware control mode |
| L2_usb_to_cdc_aif1.txt | <p>Lochnagar 2 configuration script. <i>Should only be called when Lochnagar 2 board is detected.</i> Configures Lochnagar 2 FPGA routing path for USB streaming to AIF1 of the Codec minicard.</p> <ul style="list-style-type: none"> • Routes USB MCLK In to Codec MCLK1 • Routes PMIC 32k clock to Codec MCLK2 • Routes USB AIF Channels[1-8] audio to Codec AIF1 and return path |
| L2_usb_to_cdc_aif1_stereo.txt | <p>Lochnagar 2 configuration script. <i>Should only be called when Lochnagar 2 board is detected.</i> Configures Lochnagar 2 FPGA routing path for USB streaming to AIF1 of the Codec minicard.</p> <ul style="list-style-type: none"> • Routes USB MCLK In (11/12MHz version) to Codec MCLK1 • Routes PMIC 32k clock to Codec MCLK2 • Routes USB AIF Channels[1-8] audio to TDM/I2S mux • Routes TDM/I2S mux stereo output channels[1-2] to Codec AIF1 • Routes return path from TDM/I2S mux to USB AIF |
| L2_usb_to_soundcard.txt | <p>Lochnagar 2 configuration script. Does not require a codec to be connected. Configures Lochnagar 2 FPGA routing path for USB streaming to Sound Card (3.5 mm jacks on underside)</p> <ul style="list-style-type: none"> • Routes USB MCLK to SoundCard MCLK • Routes USB AIF Channels[1-8] audio to SoundCard AIF and return path. |

15 Troubleshooting

15.1 Lochnagar 2 Drivers in Device Manager

The Lochnagar 2 should appear as a number of devices in the Windows Device Manager.



If any of these devices does not appear or appears in the Device Manager with a warning or error notification, the Lochnagar 2 board will not operate correctly.

15.2 Common issues with Lochnagar 2

This section will describe some of the more commonly observed issues with Lochnagar 2 and its drivers, and detail the solutions to these problems.

15.2.1 Audio Driver Issue: Drivers reinstalled while audio playing

If the user installs a new version of the Lochnagar 2 Device Pack while audio is currently playing through the USB audio streaming functionality, the re-installation of the audio drivers can fail. The error message presented by the audio driver installer is quite discreet and easy to miss.

In this scenario, the Lochnagar 2 will present itself in the Device Manager as a USB Composite Device with a warning message that indicates there are no drivers installed for the device.

Problem resolutions:

1. Stop audio playback and close all audio applications. Run the Lochnagar 2 Device Pack installer again and ensure that the audio driver installation is successful. This may also require a full reset of the Windows Operating System.

15.2.2 COM Port Issue: Run out of COM port numbers

Each serial communication port in Windows is allocated with a unique COM port number. There are 256 available COM ports within Windows. Lochnagar 2 requires two separate COM ports: one Virtual COM port for communications with WISCE, and a USB Serial Port that can be used for UART communications with Cirrus devices that support the UART protocol. Windows will attempt to give each device a unique COM port number, so the Lochnagar 2 board will always be allocated the same COM port numbers. These numbers are now effectively allocated to this unique Lochnagar 2 board, and will remain allocated to it even when the board is not currently plugged in. If a different Lochnagar 2 board is plugged into the same system, it will be allocated a different set of COM port numbers.

It is possible for Windows to run out of available COM port numbers. In this instance, it will not be able to allocate COM port to one or both of the Lochnagar 2 COM port devices. In this instance, the affected COM ports will show a warning message in the Device Manager to indicate they are not operating correctly.

Problem resolutions:

1. Open the Device Manager and right-click on the affected COM/Serial Port. Open the Properties dialogue. In the Port Setting tab, click the "Advanced..." button to open another dialogue box. The Advanced Settings menu allows for manual selection of COM port from a drop-down menu. This will show which COM ports are currently available or marked as "(in use)". Choose a COM port number from this list to allocate it to the Lochnagar 2 device. If the new selection is marked as "(in use)", a prompt box will ask for confirmation to continue. If the Lochnagar 2 COM port currently has a COM port assigned to it already, choosing a new COM port number will release its allocation on the old number, so by repeating this step it is possible to free up COM ports that are incorrectly marked as "(in use)".

15.2.3 Lochnagar 2 does not appear in WISCE

This issue can occur even when COM ports have been successfully allocated to both Virtual-COM port and USB Serial Port in the Device Manager.

This can happen if the Lochnagar 2 is unplugged or reset while ASIO audio is playing, or because the Windows COM port driver has encountered some internal error. Usually it is related to unplugging or resetting the Lochnagar 2 board while some aspect (e.g. USB audio streaming or USB serial port terminal communications over UART) are currently in use.

Problem resolutions:

1. Close WISCE, all audio playback applications and any terminal applications currently open on the PC. Reset the Lochnagar 2 board using the S1 (SYSRESET) switch. Re-open WISCE and the Lochnagar 2 board should be present as normal.
2. If the above step does not work, restart the PC as this may correct any errors in the Windows USB driver stack.
3. If the Lochnagar 2 is still not present in WISCE, open the Windows regedit.exe application and find HKEY_LOCAL_MACHINE\HARDWARE\DEVICEMAP\SERIALCOMM. There should be two keys in this list associated with the Lochnagar 2 board: Device\USBSERxxx and Device\VCPx. The COM numbers on these serial ports should match up to the COM numbers observed in the Device Manager. If one of the two COM ports is missing from the registry, Windows has encountered a USB serial driver error. To fix this, go to Device Manager and change the COM port number for the missing device. It should then correctly appear in both the Device Manager and the Registry.

16 Contacting Cirrus Logic Support

For all product questions and inquiries, contact a Cirrus Logic Sales Representative. To find the one nearest you, go to www.cirrus.com.

IMPORTANT NOTICE

The products and services of Cirrus Logic International (UK) Limited; Cirrus Logic, Inc.; and other companies in the Cirrus Logic group (collectively either “Cirrus Logic” or “Cirrus”) are sold subject to Cirrus Logic’s terms and conditions of sale supplied at the time of order acknowledgment, including those pertaining to warranty, indemnification, and limitation of liability. Software is provided pursuant to applicable license terms. Cirrus Logic reserves the right to make changes to its products and specifications or to discontinue any product or service without notice. Customers should therefore obtain the latest version of relevant information from Cirrus Logic to verify that the information is current and complete. Testing and other quality control techniques are utilized to the extent Cirrus Logic deems necessary. Specific testing of all parameters of each device is not necessarily performed. In order to minimize risks associated with customer applications, the customer must use adequate design and operating safeguards to minimize inherent or procedural hazards. Cirrus Logic is not liable for applications assistance or customer product design. The customer is solely responsible for its selection and use of Cirrus Logic products. Use of Cirrus Logic products may entail a choice between many different modes of operation, some or all of which may require action by the user, and some or all of which may be optional. Nothing in these materials should be interpreted as instructions or suggestions to choose one mode over another. Likewise, description of a single mode should not be interpreted as a suggestion that other modes should not be used or that they would not be suitable for operation. Features and operations described herein are for illustrative purposes only.

CERTAIN APPLICATIONS USING SEMICONDUCTOR PRODUCTS MAY INVOLVE POTENTIAL RISKS OF DEATH, PERSONAL INJURY, OR SEVERE PROPERTY OR ENVIRONMENTAL DAMAGE (“CRITICAL APPLICATIONS”). CIRRUS PRODUCTS ARE NOT DESIGNED, AUTHORIZED OR WARRANTED FOR USE IN PRODUCTS SURGICALLY IMPLANTED INTO THE BODY, AUTOMOTIVE SAFETY OR SECURITY DEVICES, NUCLEAR SYSTEMS, LIFE SUPPORT PRODUCTS OR OTHER CRITICAL APPLICATIONS. INCLUSION OF CIRRUS PRODUCTS IN SUCH APPLICATIONS IS UNDERSTOOD TO BE FULLY AT THE CUSTOMER’S RISK AND CIRRUS DISCLAIMS AND MAKES NO WARRANTY, EXPRESS, STATUTORY OR IMPLIED, INCLUDING THE IMPLIED WARRANTIES OF MERCHANTABILITY AND FITNESS FOR PARTICULAR PURPOSE, WITH REGARD TO ANY CIRRUS PRODUCT THAT IS USED IN SUCH A MANNER. IF THE CUSTOMER OR CUSTOMER’S CUSTOMER USES OR PERMITS THE USE OF CIRRUS PRODUCTS IN CRITICAL APPLICATIONS, CUSTOMER AGREES, BY SUCH USE, TO FULLY INDEMNIFY CIRRUS, ITS OFFICERS, DIRECTORS, EMPLOYEES, DISTRIBUTORS AND OTHER AGENTS FROM ANY AND ALL LIABILITY, INCLUDING ATTORNEYS’ FEES AND COSTS, THAT MAY RESULT FROM OR ARISE IN CONNECTION WITH THESE USES.

This document is the property of Cirrus and by furnishing this information, Cirrus grants no license, express or implied, under any patents, mask work rights, copyrights, trademarks, trade secrets or other intellectual property rights. Any provision or publication of any third party’s products or services does not constitute Cirrus’s approval, license, warranty or endorsement thereof. Cirrus gives consent for copies to be made of the information contained herein only for use within your organization with respect to Cirrus integrated circuits or other products of Cirrus, and only if the reproduction is without alteration and is accompanied by all associated copyright, proprietary and other notices and conditions (including this notice). This consent does not extend to other copying such as copying for general distribution, advertising or promotional purposes, or for creating any work for resale. This document and its information is provided “AS IS” without warranty of any kind (express or implied). All statutory warranties and conditions are excluded to the fullest extent possible. No responsibility is assumed by Cirrus for the use of information herein, including use of this information as the basis for manufacture or sale of any items, or for infringement of patents or other rights of third parties. Cirrus Logic, Cirrus, the Cirrus Logic logo design and SoundClear are among the trademarks of Cirrus. Other brand and product names may be trademarks or service marks of their respective owners.

Copyright © 2017 Cirrus Logic, Inc. All rights reserved.