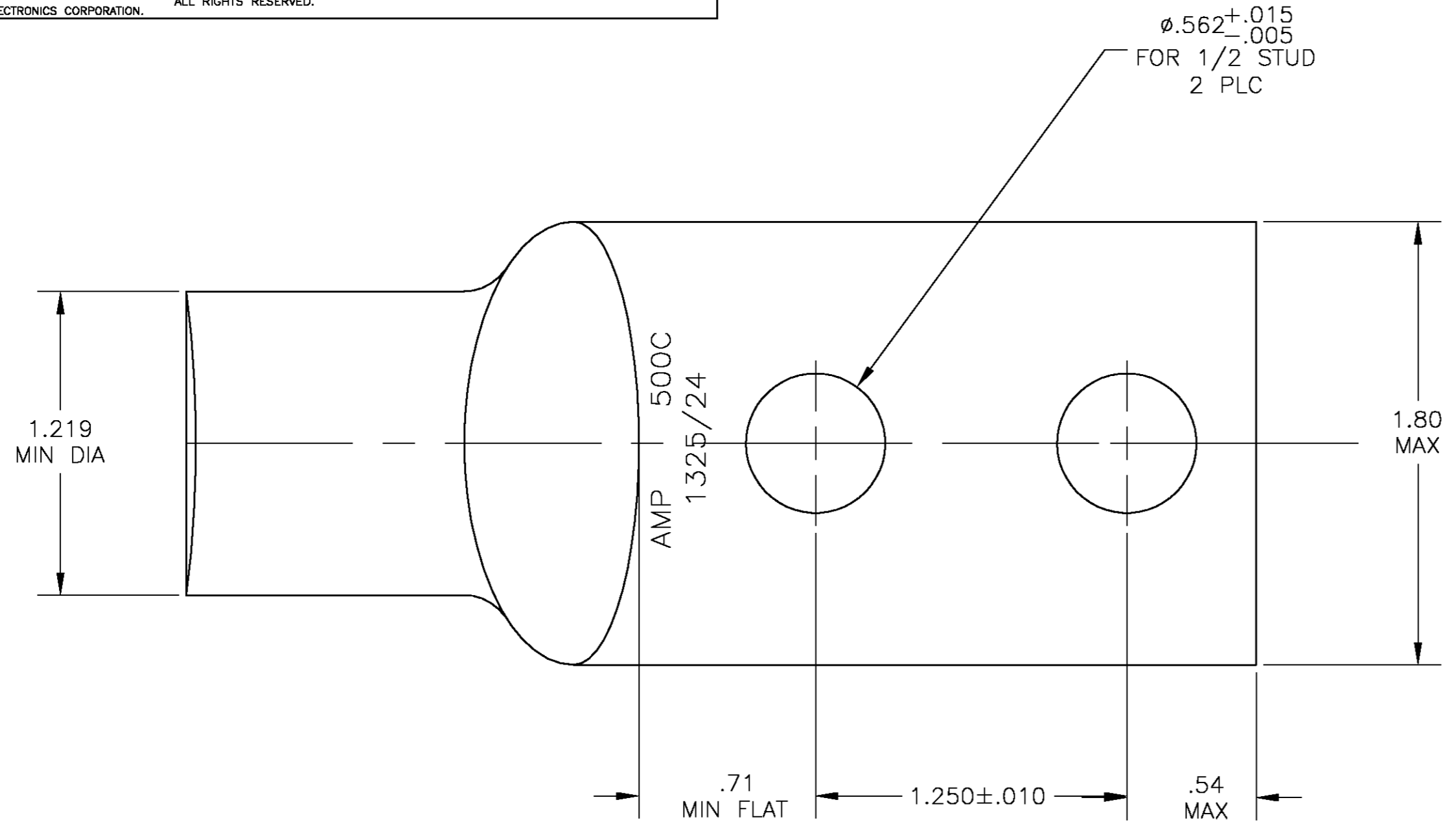
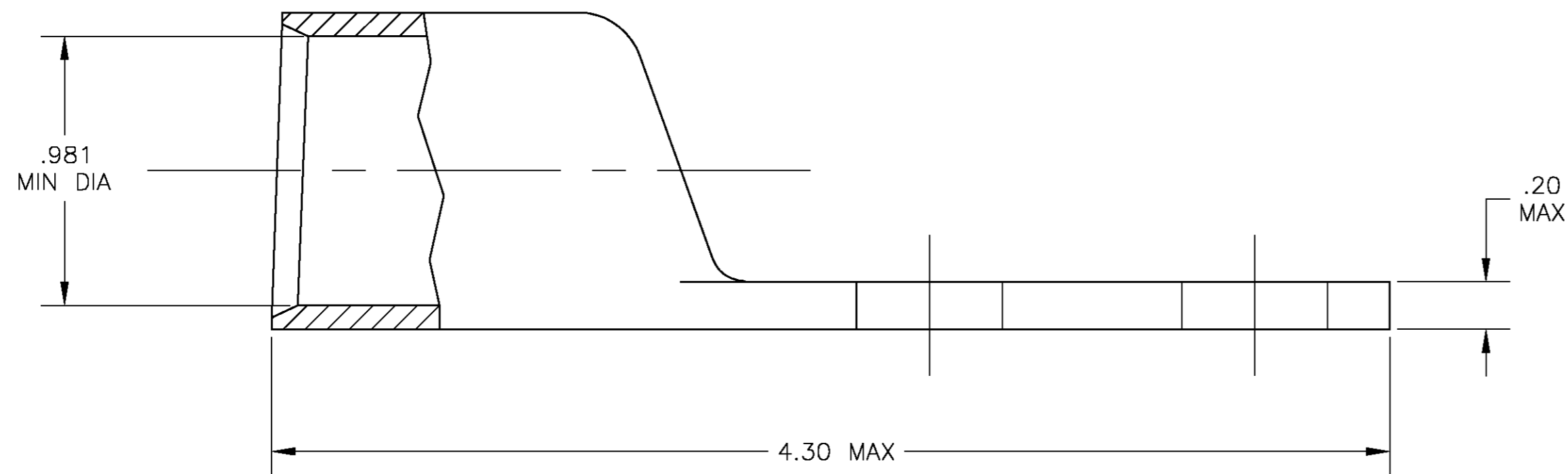


THIS DRAWING IS UNPUBLISHED. RELEASED FOR PUBLICATION
 © COPYRIGHT BY TYCO ELECTRONICS CORPORATION. ALL RIGHTS RESERVED.

LOC	DIST	REVISIONS					
		P	LTR	DESCRIPTION	DATE	DWN	APVD
G	10		B	REV PER 0G3A-0129-04	23FEB04	JR	MS



- 1 CIRCULAR MIL AREA RANGE: 450-550 MCM
- 2 COPPER PER ASTM B-75, ANNEALED
- 3 TIN PLATE .000150 MIN THK PER ASTM B-545
- 4 PRE-PRODUCTION - FASR REQUIRED



4 696683-1
AMP
PART NUMBER

THIS DRAWING IS A CONTROLLED DOCUMENT.		DWN	jr ruth	15JAN04	Tyco Electronics Corporation Harrisburg, Pa, 17105-3608
DIMENSIONS: INCHES		CHK	MJ SPICER	15JAN04	
TOLERANCES UNLESS OTHERWISE SPECIFIED:		APVD	MJ SPICER	15JAN04	NAME
0 PLC ± -	1 PLC ± -	PRODUCT SPEC	108-30200		TERMINAL, AMPOWER, WIRE SIZE: 500 MCM
2 PLC ± .02	3 PLC ± -	APPLICATION SPEC			
4 PLC ± -	ANGLES ± -	SIZE	A2	CAGE CODE	00779
MATERIAL	FINISH	WEIGHT	-	DRAWING NO	C=696683
- 2	3	CUSTOMER DRAWING		RESTRICTED TO	-
		SCALE	2:1	SHEET	1 OF 1
		REV	B		