



PART NUMBER: CS-3603

DESCRIPTION: solid state buzzer

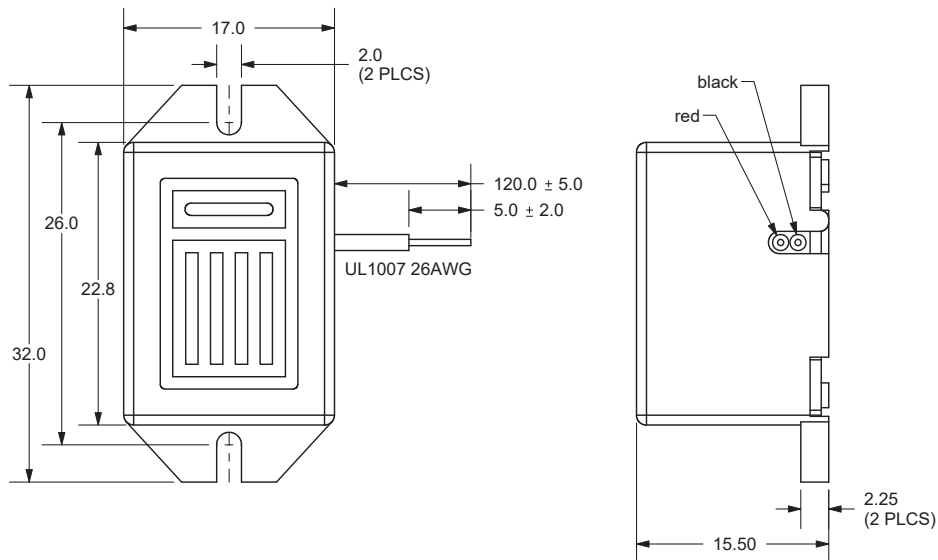
SPECIFICATONS

| | | |
|-----------------------|--------------|-----------------|
| operating voltage | 2 ~ 4 V DC | |
| current consumption | 50 mA max. | at 3 V DC |
| sound pressure level | 75 db min. | at 30 cm/3 V DC |
| tone | continuous | |
| operating temperature | -20 ~ +60° C | |
| storage temperature | -30 ~ +70° C | |
| weight | 9.7 g max. | |
| RoHS | yes | |

APPEARANCE DRAWING

tolerance: ±0.5

units: mm



CURRENT CONSUMPTION/SOUND PRESSURE LEVEL

