

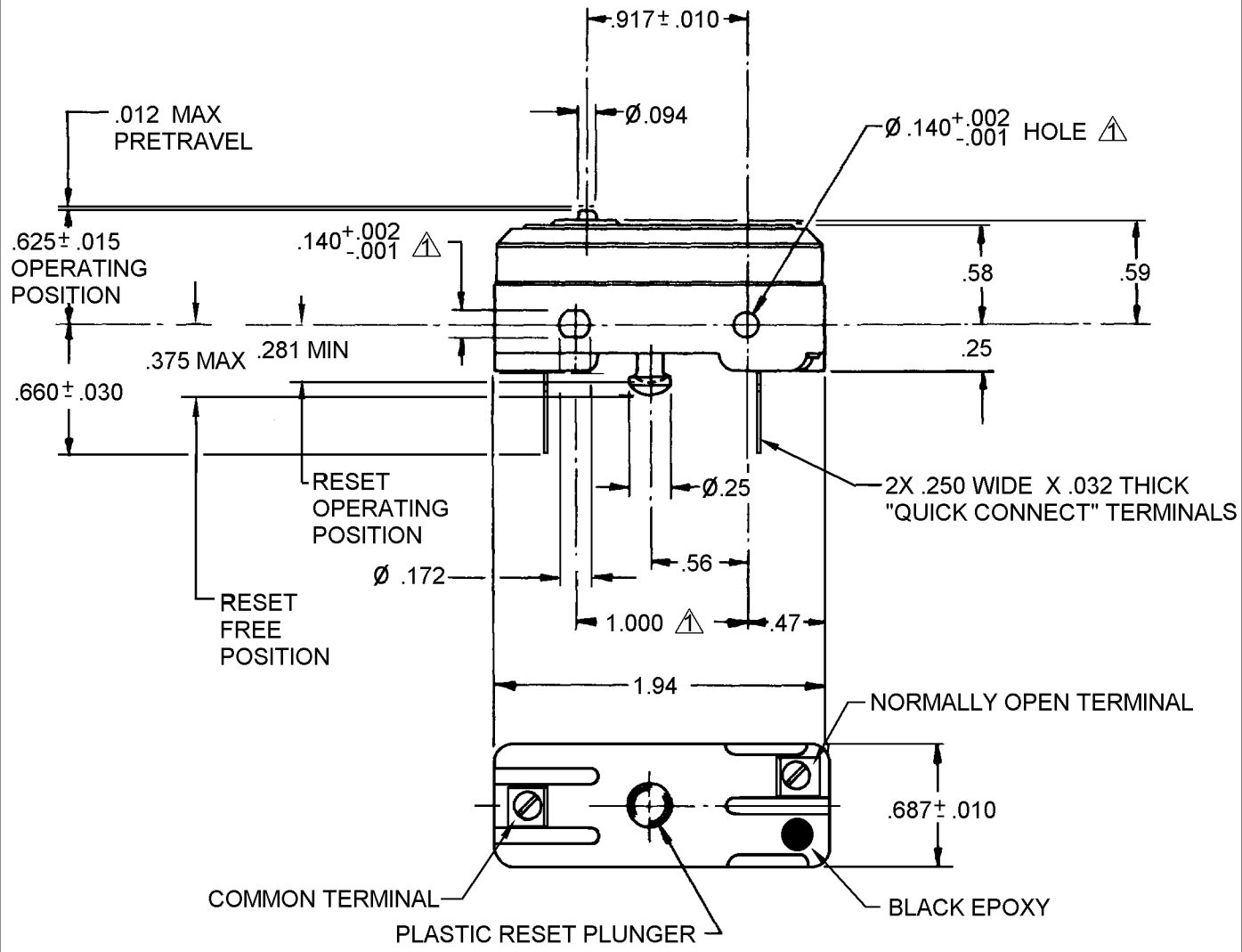
MICRO SWITCH
a Honeywell Division

SWITCH - BASIC

YZ-RX62-D584

FED. MF6. CODE 91929

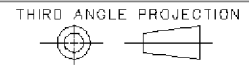
CATALOG LISTING
YZ-RX62-D584
PAGE 1 OF 1
ISSUE M
A
REPLACES X115125-YZ
ECO-0001163
RELEASE NO.
CHECK
REVISIONS
CHECK
18 AUG 03
SAV
CHECK
18 AUG 03
DRAWN
RASTER
JAH



NOTES
▲ MOUNTING HOLES WILL ACCEPT PINS OR SCREWS OF Ø .139 MAX ON 1.000 ± .002 CENTERS

ANSI Y14.5M-1982 APPLIES

THIS DRAWING COVERS A PROPRIETARY ITEM AND IS THE PROPERTY OF MICRO SWITCH, A DIVISION OF HONEYWELL. THIS DRAWING IS NOT TO BE COPIED OR USED WITHOUT THE APPROVAL OF MICRO SWITCH.



CHARACTERISTICS	ELECTRICAL DATA	SCALE FULL	DO NOT SCALE PRINT
OPERATING FORCE ————— 4 OZ MAX OVERTRAVEL ————— .005 MIN	CONTACT ARRANGEMENT S.P.N.O.	UNLESS OTHERWISE SPECIFIED TOLERANCES ARE	
RESET CHARACTERISTICS OPERATING FORCE ————— 2-10 OZ OVERTRAVEL ————— .015 MIN	L67 15A 125, <u>250</u> OR 480 VAC 1/4HP 125 VAC, 1/2HP <u>250</u> VAC 1/2A 125 VDC, 1/4A 250 VDC FIG. 67	ONE PLACE (.0) ±.030 TWO PLACE (.00) ±.015 THREE PLACE (.000) ±.005 ANGLES ±	
		WEIGHT .055 LB	