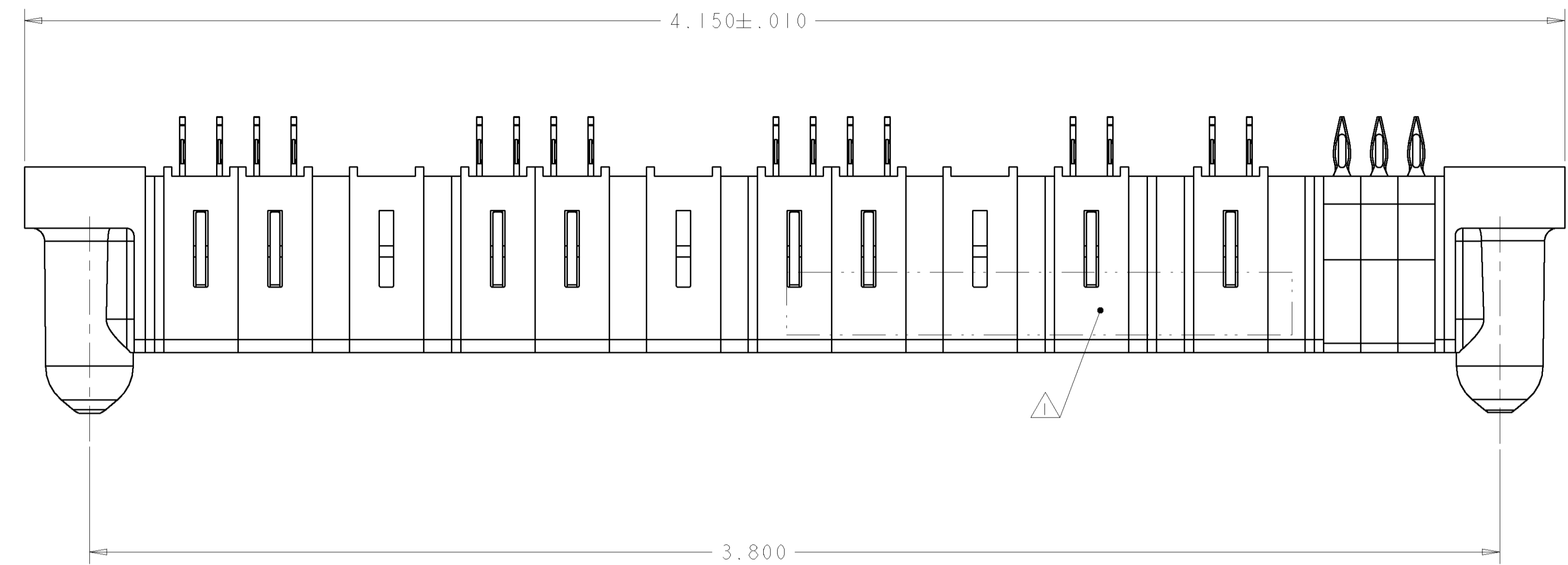
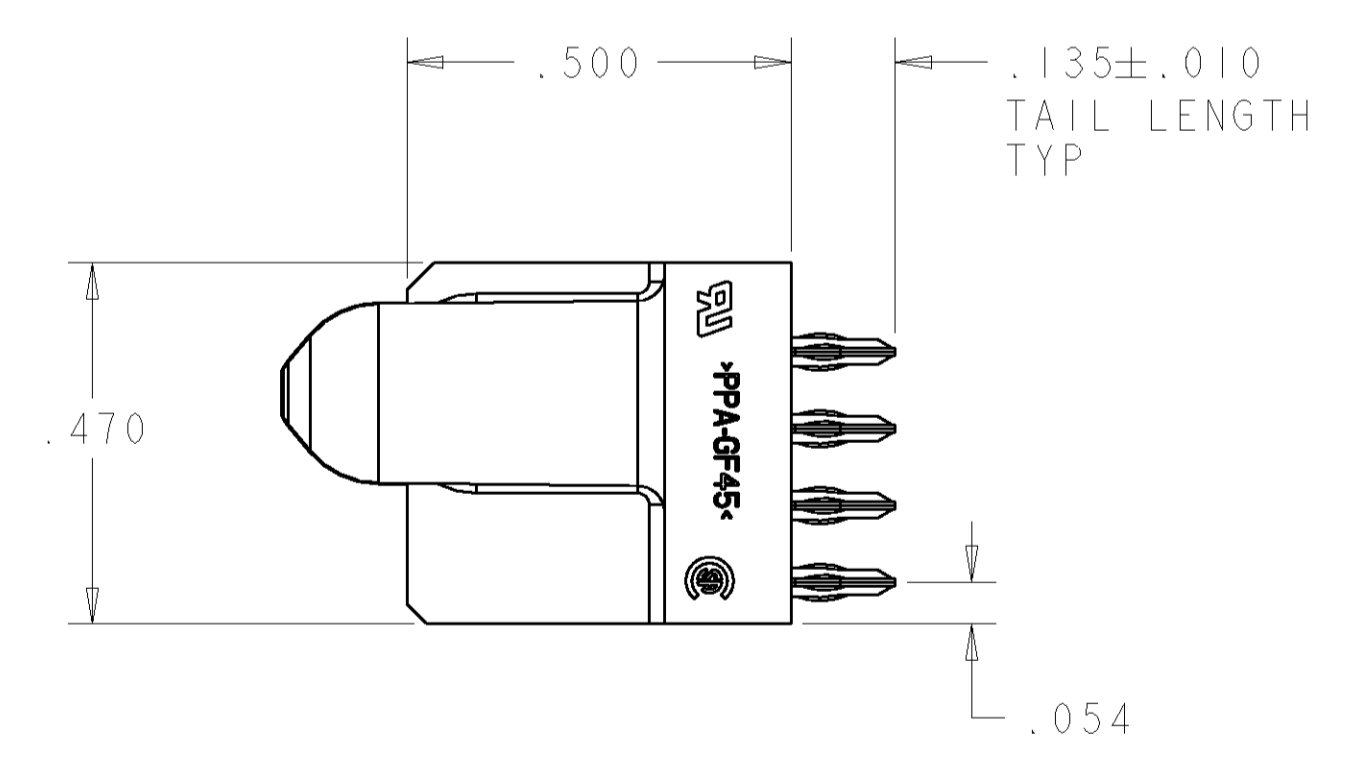
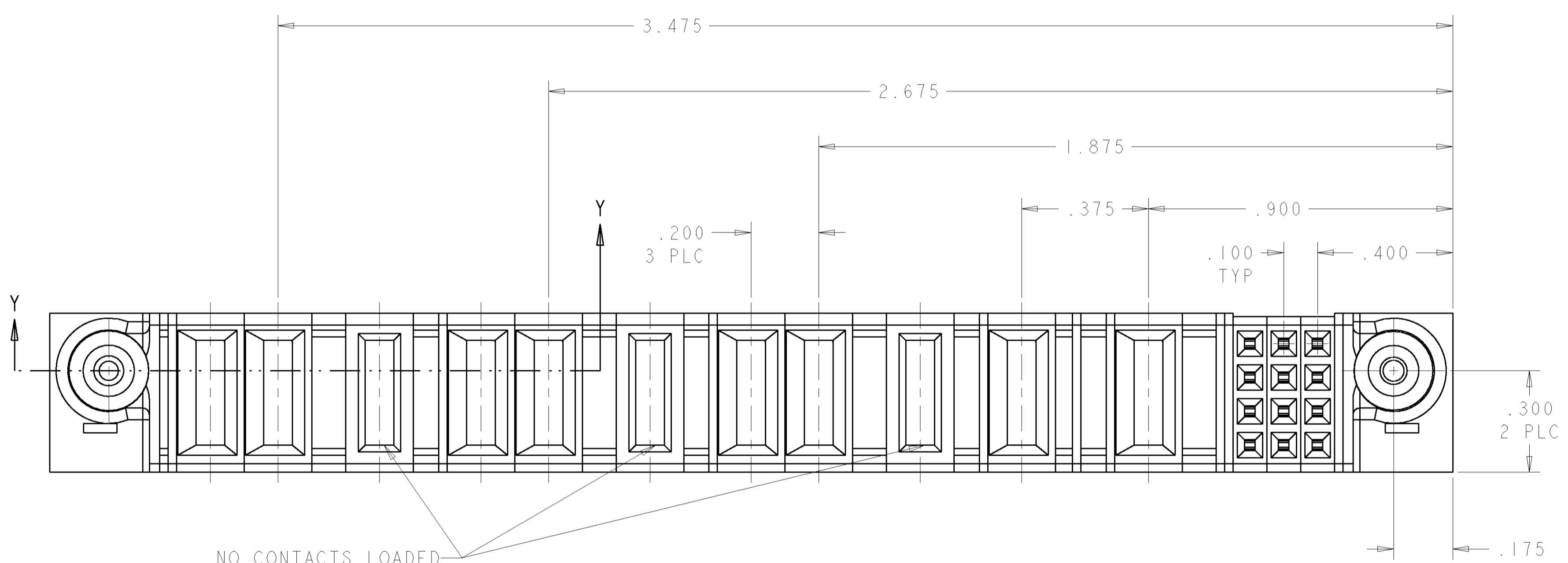


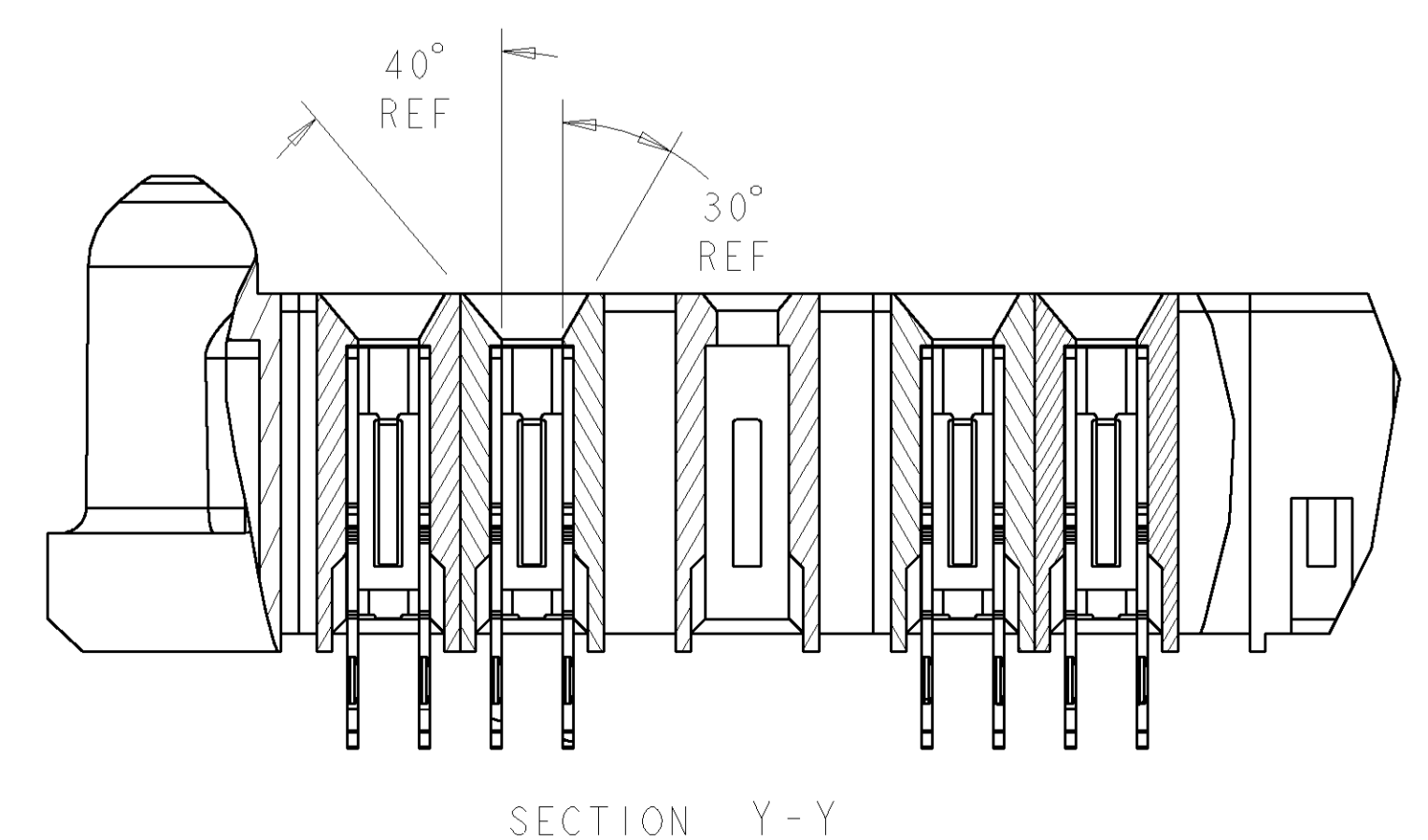
LOC	DIST	REVISIONS			
P	LTR	DESCRIPTION	DATE	DWN	APVD
GP	00	1	PROPOSED DESIGN	19SEP2005	RG MP



- 1 "AMP", PART NUMBER, AND DATE CODE TO BE MARKED IN AREA SHOWN
- 2 MATERIAL: HOUSING - GLASS FILLED HIGH TEMP THERMO PLASTIC, UL94 V-0  
 SIGNAL CONTACT - HIGH CONDUCTIVITY COPPER ALLOY  
 POWER CONTACT - HIGH CONDUCTIVITY COPPER ALLOY
- 3 CONTACT PLATING: SIGNAL CONTACTS - .000050 MIN Ni UNDER ALL  
 .000030 MIN Au ON CONTACT AREA  
 .000100 MIN Sn AT PCB INTERFACE  
 POWER CONTACTS - .000050 MIN Ni UNDER ALL  
 .000030 MIN Au ON CONTACT AREA  
 .000100 MIN Sn AT PCB INTERFACE
- 4 MECHANICAL CONNECTOR KEEP OUT ZONE
- 5 DATUM AND BASIC DIMENSIONS ESTABLISHED BY CUSTOMER
- 6 PCB - ALL HOLE DIAMETERS ARE FINISHED HOLE SIZES
- 7 PCB - .0453 ± .0010 DRILLED HOLES PLATED WITH .0003 MIN Sn OVER  
 .001 TO .003 CU PLATING TO ACHIEVE A .040 DIA HOLE



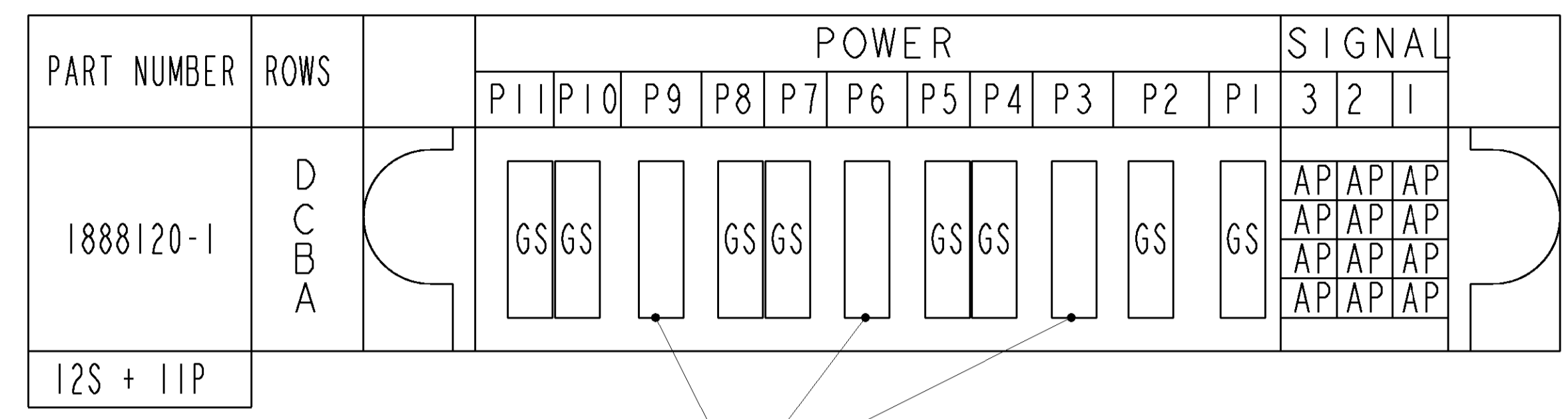
NO CONTACTS LOADED



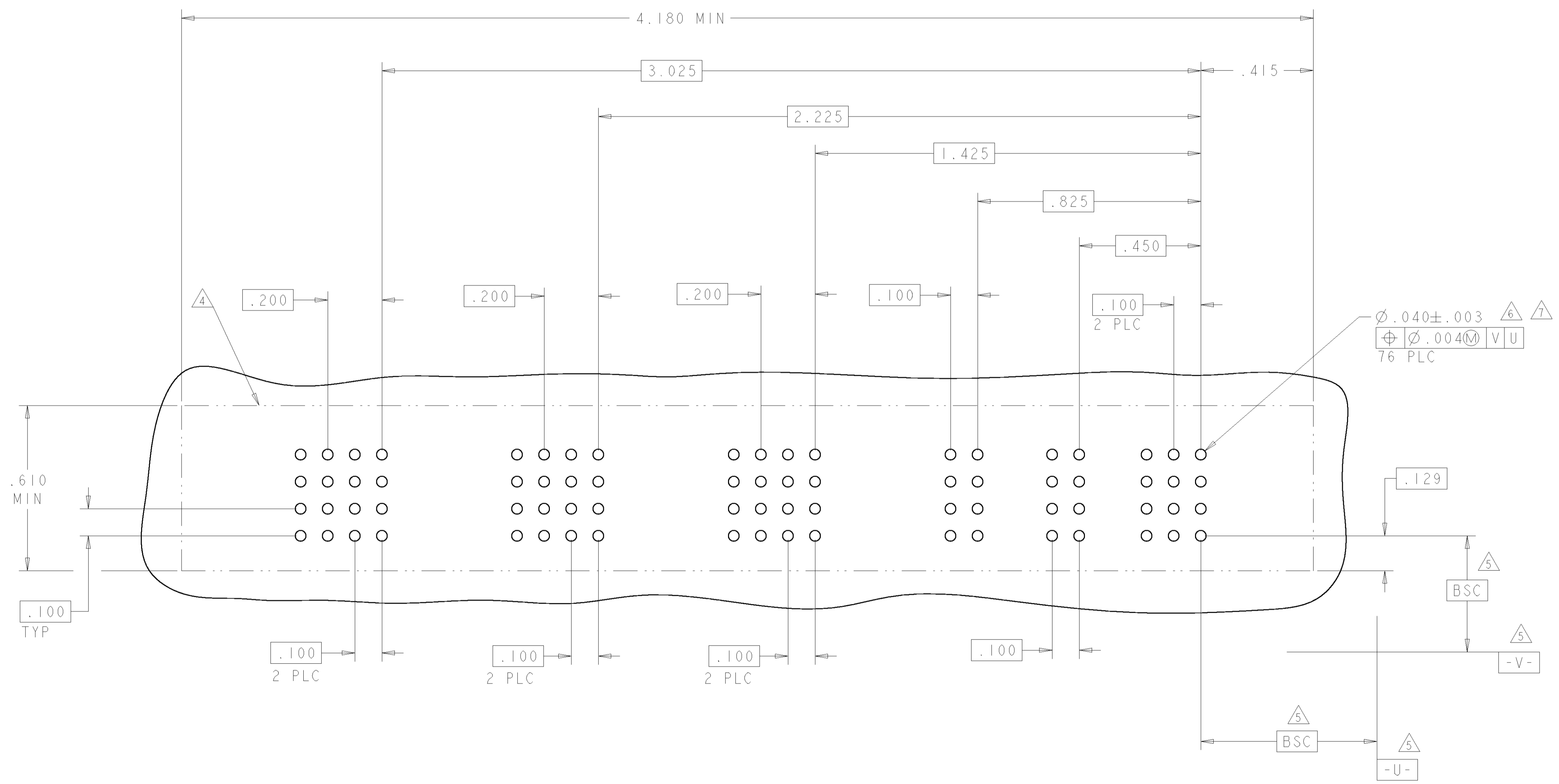
12S + IIP	1888120-1
DESCRIPTION	PART NUMBER

<small>THIS DRAWING IS UNPUBLISHED. RELEASED FOR PUBLICATION. THE INFORMATION IS CONTAINED HEREIN IS UNCLASSIFIED EXCEPT WHERE SHOWN OTHERWISE. IT IS THE POLICY OF TYCO ELECTRONICS CORPORATION TO MAKE THIS INFORMATION AVAILABLE TO THE PUBLIC.</small>		DWN: R. GRZYBOWSKI 19SEP2005 ENR: M. PERCHERKE 19SEP2005 APVD: M. PERCHERKE 19SEP2005	Tyco Electronics Harrisburg, PA 17105-3608
DIMENSIONS: INCHES:	TOLERANCES UNLESS OTHERWISE SPECIFIED: 0 PLC ±.1 1 PLC ±.01 2 PLC ±.01 3 PLC ±.005 4 PLC ±.002 ANGLES ±.02	PRODUCT SPEC: 108-1973 APPLICATION SPEC: 114-13038 WEIGHT: - CUSTOMER DRAWING	NAME: VERTICAL RECEPTACLE ASSEMBLY W/ GUIDES, PRESS FIT MULTI-BEAM XL SIZE: 114-13038 CAGE CODE: A100779 DRAWING NO: C=1888120-1 RESTRICTED TO: - SCALE: 4:1 SHEET 1 OF 2 REV 1

LOC		DIST		REVISIONS			
P	LTR	DESCRIPTION	DATE	DNW	APVD		
-	-	SEE SHEET 1	-	-	-		



NO CONTACTS LOADED



CODE	DESCRIPTION
GS	POWER CONTACT, STD
AP	SIGNAL CONTACT

CONTACT TABLE

DIMENSIONS: INCHES		TOLERANCES UNLESS OTHERWISE SPECIFIED: 0 PLC ±.1 1 PLC ±.01 2 PLC ±.01 3 PLC ±.005 4 PLC ±.0020 ANGLES ±.2		DWG: B. GRZYBOWSKI 19SEP2005 ENW: M. PERCHERKE 19SEP2005 APVD: M. PERCHERKE 19SEP2005		Tyco Electronics Harrisburg, PA 17105-3608	
MATERIAL: - FINISH: -		WEIGHT: - CUSTOMER DRAWING		PRODUCT SPEC: APPLICATION SPEC: SIZE: A   00779   C=1888120-1 SCALE: 4:1 SHEET 2 OF 2 REV 1		NAME: VERTICAL RECEPTACLE ASSEMBLY W/ GUIDES, PRESS FIT MULTI-BEAM XL	