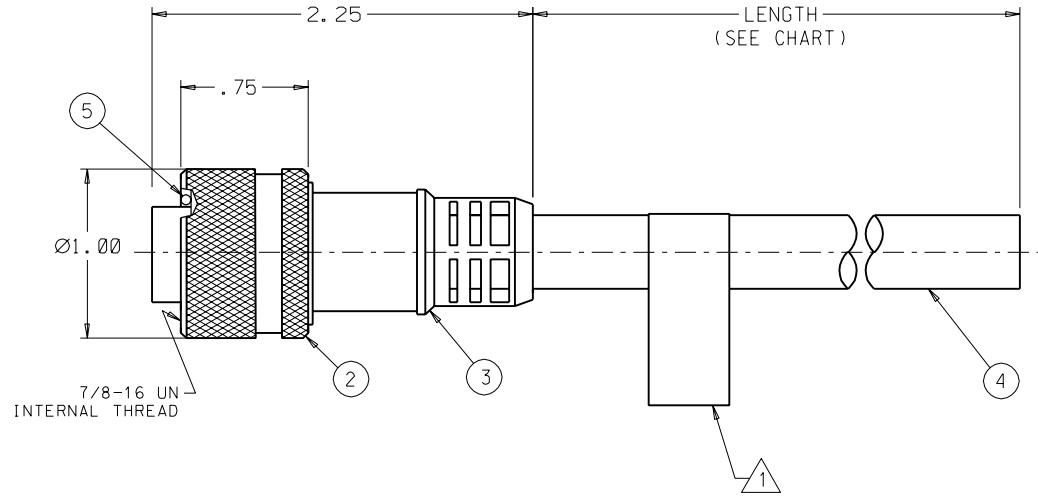
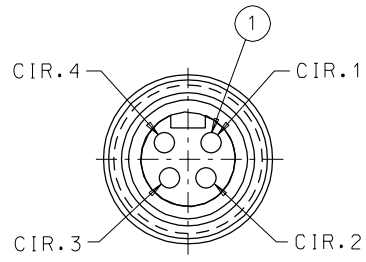


10	9	8
MOLEX PART NO.	HOLJERON PART NO.	LENGTH (METERS)
849140319	CBL-PBT420-100	10

3	2	1
REV	DATE	ECN NO.
A	5-24-00	UM2000-0566
		APPVD BY
		REL BY



P1

1	BLK
2	WHT
3	RED
4	GRN

WIRING DIAGRAM

5	1	O-RING/SEAL	VITON/COLOR: BROWN
4	SEE CHART	CABLE, 4/C, 18 AWG	PUR JACKET/COLOR: GRAY
3	1	MOLDED BODY	PVC/COLOR: GRAY
2	1	CPLG RING, INT. THD.	STAINLESS STEEL
1	4	CONTACT, SOCKET	COPPER ALLOY/GOLD PLATED
ITEM	QTY	DESCRIPTION	MATERIAL/FINISH

1 LABEL MARKED WITH HOLJERON PART NO. AND DATE CODE PER QDP-036.

NOTES: UNLESS OTHERWISE SPECIFIED

QUALITY SYMBOLS MAJOR = CRITICAL = SPC =	UNLESS SPECIFIED: ALL DIMENSIONS IN INCHES GENERAL TOLERANCES: 3 PLACE ±.005 2 PLACE ±.01 ANGULAR ±2°	SCALE: --- DWG SIZE: B DRAWN BY & DATE: GF 5-24-00 CHECKED BY & DATE: APPROVED BY & DATE:	THIRD ANGLE PROJECTION REVISE ON CAD ONLY TITLE: MINI-C, PLUG, FEMALE, 4 POLE, 18 AWG, PUR, NEC MOLEX INCORPORATED Orange, CA 92868 PART NO. SEE CHART DRAWING NO. SD-84914-0319 SHEET NO. 1 OF 1	
	Uti-Mate CAGE CODE 58967	THIS DRAWING CONTAINS INFORMATION THAT IS PROPRIETARY TO MOLEX INCORPORATED AND SHOULD NOT BE USED WITHOUT WRITTEN PERMISSION.		REV A