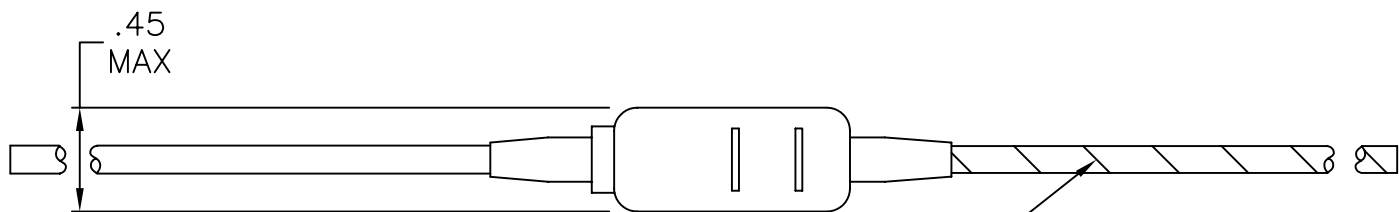
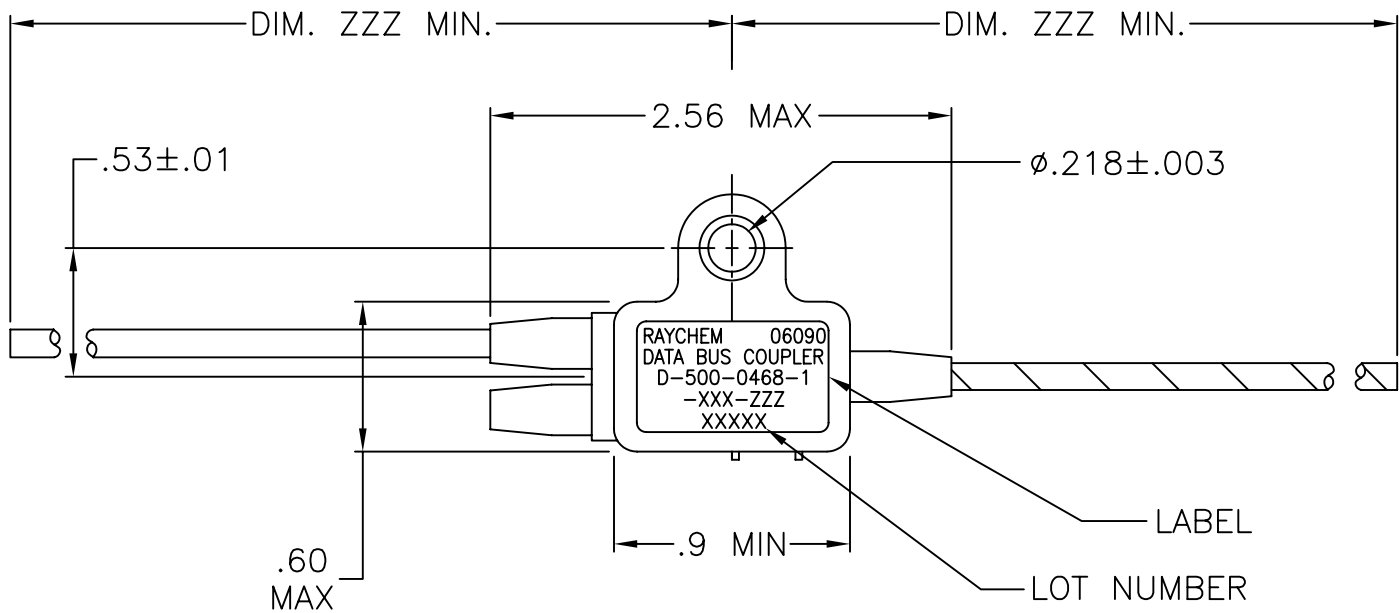


REVISION		
REV	DESCRIPTION	DATE
B	REVISED DCR PER DCR NO. C050211	3/24/05



PART NO. D-500-0468-1-XXX-ZZZ

1=SINGLE STUB

LENGTH OF CABLE IN INCHES

CABLE

- 612=10612 (SINGLE OPTIMIZED BRAID)
- 613=10613 (DOUBLE OPTIMIZED BRAID)
- 614=10614 (EMP HARDENED)

If this document is printed it becomes uncontrolled.
Check for the latest revision.

SPECIFICATION CONTROL DRAWING
© 2005 Tyco Electronics Corporation. All Rights Reserved.

UNLESS OTHERWISE SPECIFIED
DIMENSIONS ARE INCHES. METRIC
DIMENSIONS ARE IN BRACKETS.

DRAWN
T RATZLAFF
DATE
17JUL2003



TYCO ELECTRONICS
300 CONSTITUTION DRIVE
MENLO PARK, CA 94025



DECIMAL TOLERANCES
.XXX ± 0.005 [0.13 mm]
.XX ± 0.010 [0.25 mm]
.X ± 0.020 [0.50 mm]

ANGLE TOLERANCE
.X ± 0.5 DEG.

WEIGHT
SEE NOTES

MATERIAL
FINISH

TITLE
DATABUS COUPLER, SINGLE STUB,
REVERSE, WITH INTERNAL TERMINATOR
AND MOUNTING LUG

THIRD ANGLE
PROJECTION

SIZE
A
CAGE CODE
06090
DWG. NO.
D-500-0468-1-XXX-ZZZ

CAD FILE
C050211A

DO NOT SCALE THIS DRAWING SHEET 1 OF 2

1. MATERIAL AND FINISHES:
 - 1.1 INTERNAL COMPONENTS:
 - 1.1.1 -TRANSFORMER TO MIL-PRF-21038 AND MIL-STD-1553B
 - 1.1.2 -RESISTORS, ISOLATION PER MIL-PRF-39007/9, 57.6 OHMS (R1)
 - 1.1.3 -RESISTOR, TERMINATION PER MIL-PRF-39007/9, 76.8 OHMS (R2)
 - 1.2 SHIELDED CASE: ALUMINUM PER ASTM-B618
 - 1.3 SEALED STRAIN RELIEF COVER: MODIFIED CROSS-LINKED ELASTOMER, BLACK, TO RAYCHEM SPECIFICATION RK-6713.
 - 1.4 CABLE TYPE PER RAYCHEM SPECIFICATION 1200 (SEE PART NO. ON SHEET 1).

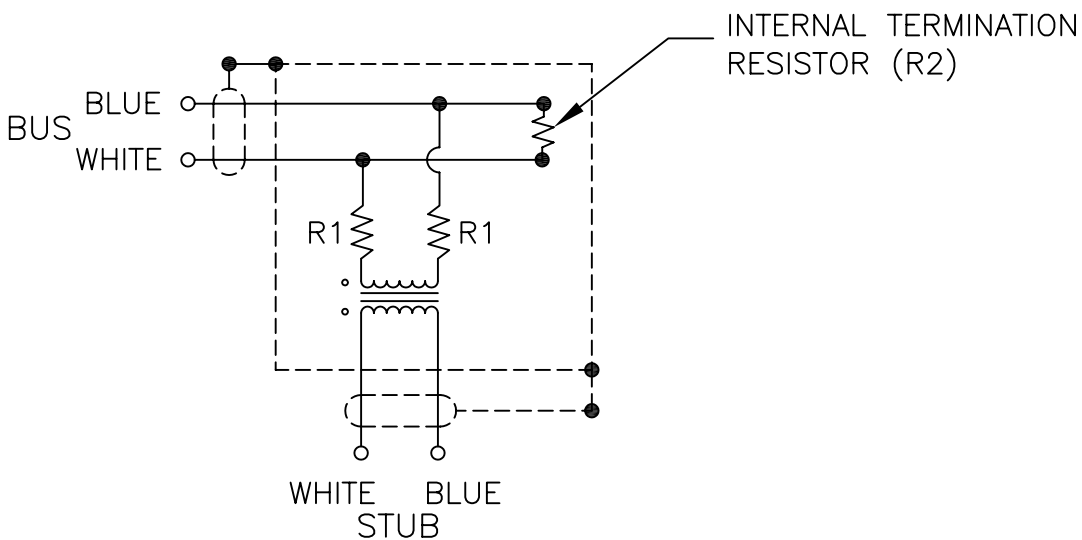
2. APPLICATION:
 - 2.1 THIS COUPLER IS DESIGNED TO BE INSTALLED AS A DIGITAL MULTIPLEX ASSEMBLY MEETING THE REQUIREMENTS OF MIL-STD-1553B.
 - 2.2 FOR CABLE SPLICING USE FLEXIBLE SPLICE KIT D-150-0708-5 (NOT SUPPLIED).
 - 2.3 CABLE BEND RADIUS PER SAE-AS50881 STATIC BEND: 5 x CABLE O.D. MIN., DYNAMIC BEND: 10 x CABLE O.D. MIN.

3. TEMPERATURE:
 - 3.1 OPERATING TEMPERATURE: -65°C TO +150°C

4. PERFORMANCE SPECIFICATIONS:
 - 4.1 TRANSFORMER MEETS THE PERFORMANCE REQUIREMENTS OF MIL-STD-1553B.
 - 4.2 COUPLER MEETS THE PERFORMANCE REQUIREMENTS OF RAYCHEM SPECIFICATION D-6020.

5. WEIGHT:
 - 5.1 MAXIMUM WEIGHT WITHOUT CABLE: 18 GRAMS, MAX.

SINGLE STUB COUPLER SCHEMATIC



SPECIFICATION CONTROL DRAWING
© 2005 Tyco Electronics Corporation. All Rights Reserved.

DRAWN T RATZLAFF	DATE 17JUL2003	SIZE A	CAGE CODE 06090	DWG. NO. D-500-0468-1-XXX-ZZZ	REV B
CAD FILE C050211B		tyco Electronics		DO NOT SCALE THIS DRAWING SHEET 2 OF 2	