

# Thermofit Molded Parts Specification Control Drawing

Part Number : 322A315  
Description : Transition, 90°  
Side Breakout

## NOTES

- All dimensions are in  $\frac{\text{inches}}{\text{[millimeters]}}$  ;  $\frac{\text{lbs}}{\text{[gms]}}$
- Dimensions appearing in table are as follows:
  - a - As Supplied
  - b - After Unrestricted Recovery
- Coating is optional. As supplied dimensions appearing in table are for uncoated parts. When coating is added, entry diameters will be reduced by .06 max.
- Molding ports are optional. When -00 modification number is specified molding ports will be located as shown.
- Weight appearing in table of dimensions is based on polyolefin part.

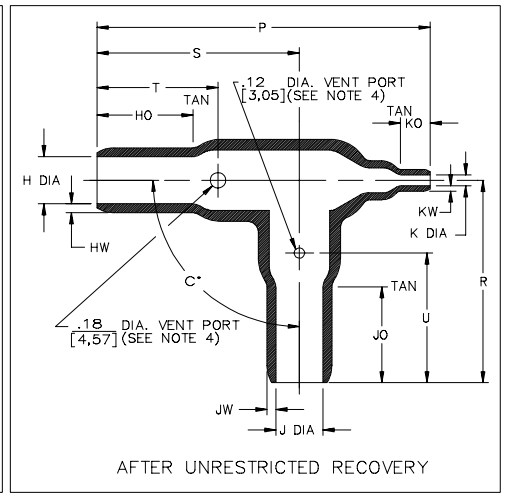
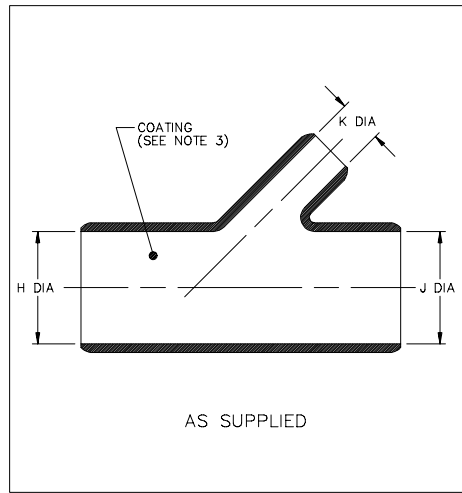


TABLE OF DIMENSIONS

PART NUMBER	H & J		K		P ±10% b	R & S ±10% b	T ±10% b	U ±10% b	HO & JO ±10% b	KO ±10% b	HW & JW ±20% b	KW ±20% b	C* ±5° b	Weight Nom b
	Min	Max	Min	Max										
	a	b	a	b										
322A315	1.16 [29,5]	.64 [16,3]	.38 [9,6]	.21 [5,3]	3.67 [93,2]	2.23 [56,6]	1.40 [35,6]	1.50 [38,1]	1.02 [25,9]	.30 [7,6]	.10 [2,54]	.07 [1,78]	90°	.062 [28,12]

**Raychem**

RAYCHEM CORPORATION  
300 CONSTITUTION DRIVE  
MENLO PARK, CALIFORNIA 94025

Revision : D  
Date : 4/7/94

Part Number : 322A315  
Description : Transition, 90°  
Side Breakout

# Thermofit Molded Parts Specification Control Drawing

Part Number : 322A315  
Description : Transition, 90°  
Side Breakout

MATERIAL DASH NO.	MATERIAL DESCRIPTION	RT SPEC	COATING SLASH NO.	COATING S NO.	COATING DESCRIPTION
-3	Polyolefin, Semi-Rigid	RT-301	/42, /86	S-1017, S-1048	Adhesive
-4	Polyolefin, Flexible	RT-1304	/42, /86	S-1017, S-1048	Adhesive
-5	Elastomer, Flexible	RT-501			
-6	Silicone	RT-602			
-12	*VITON, Flexible	RT-1312			
-25	Elastomer, Semi-Rigid	RT-1325	/86	S-1048	Adhesive

\*VITON is a Registered Trademark of DuPont

## ORDERING INFORMATION

322A315 -XX -XX /XXX

Base part number \_\_\_\_\_

Material dash number \_\_\_\_\_  
(See Compatibility Chart)

Modification number \_\_\_\_\_  
(If necessary, see front of scd binder for a complete list)

Adhesive slash number \_\_\_\_\_  
(If necessary, see Compatibility Chart)

THIS DRAWING IS SUBJECT TO CHANGE WITHOUT NOTICE; CONSULT YOUR NEAREST FIELD REPRESENTATIVE FOR CURRENT REVISION

If this document is printed it becomes uncontrolled.  
Check for the latest revision.

**Raychem**

RAYCHEM CORPORATION  
300 CONSTITUTION DRIVE  
MENLO PARK, CALIFORNIA 94025

Revision : D  
Date : 4/7/94

Part Number : 322A315  
Description : Transition, 90°  
Side Breakout