

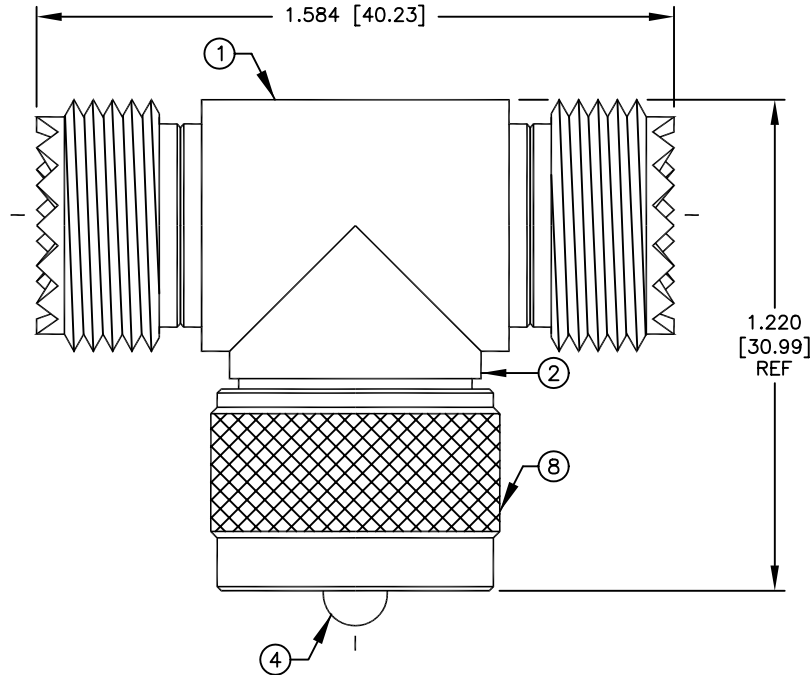
SPECIFICATION CONTROL DRAWING

THIS DRAWING CONTAINS INFORMATION PROPRIETARY TO RF INDUSTRIES, LTD. ANY UNAUTHORIZED USE OF THIS DRAWING IS EXPRESSLY PROHIBITED. ANY VIOLATION IS PUNISHABLE UNDER U.S. COPYRIGHT LAWS.

REV	DESCRIPTION	DWN	DATE	APPROVED
A	ENGINEERING RELEASE	KMM	4/4/94	F. VIERA
B	ADD ROLLER / PEEN CRIMP TO MALE END	KMM	8/15/94	R. RICE
C	STANDARDIZE, ADD BODY VIEW	BMA	2/06/97	R. RICE
D	CHG PIN & CON OD & LENGTH, MALE BODY ID & OD, AND DIE ID & OD	CZS	8/11/98	R. RICE

ALL DIMENSIONS ARE REFERENCE ONLY

000000



SPECIFICATIONS:

IMPEDANCE: NON CONSTANT
 WORKING VOLTAGE: 500 VRMS @ SEA LEVEL
 FREQUENCY RANGE: 0-300 MHz

DIMENSIONS ARE IN INCHES AND [MILLIMETERS]

UNLESS OTHERWISE NOTED TOLERANCES ARE:
 DECIMALS DIAMETER

ITEM	DESCRIPTION	QTY	MATERIAL	FINISH
8	SHELL	1	BRASS	NICKEL
7	RETAINING RING	1	BRASS	NICKEL
6	DIELECTRIC	1	*DELTRIN	NONE
5	DIELECTRIC	2	*DELTRIN	NONE
4	PIN	1	BRASS	SILVER
3	CONTACT	1	BRASS	SILVER
2	MALE BODY	1	BRASS	NICKEL
1	FEMALE BODY	1	BRASS	NICKEL

DRAWN C. ZUNIGA	8/11/98
CHECKED	
ORJ DRAWN K. MAXWELL	3/3/94
APPROVALS	DATE

7610 MIRAMAR RD
 SAN DIEGO, CA 92126
 (619)549-6340
 (619)549-6345 FAX

DIVISION OF RF INDUSTRIES, LTD.

RFU-533 \ M-358

UHF "T" ADAPTER, MALE TO DOUBLE FEMALE

SIZE A	CABLE GROUP N/A	DWG NO. 8319	REV D
SCALE: 2:1		CAD FILE 13ARC B	SHEET 1 OF 1