

C-438051-1

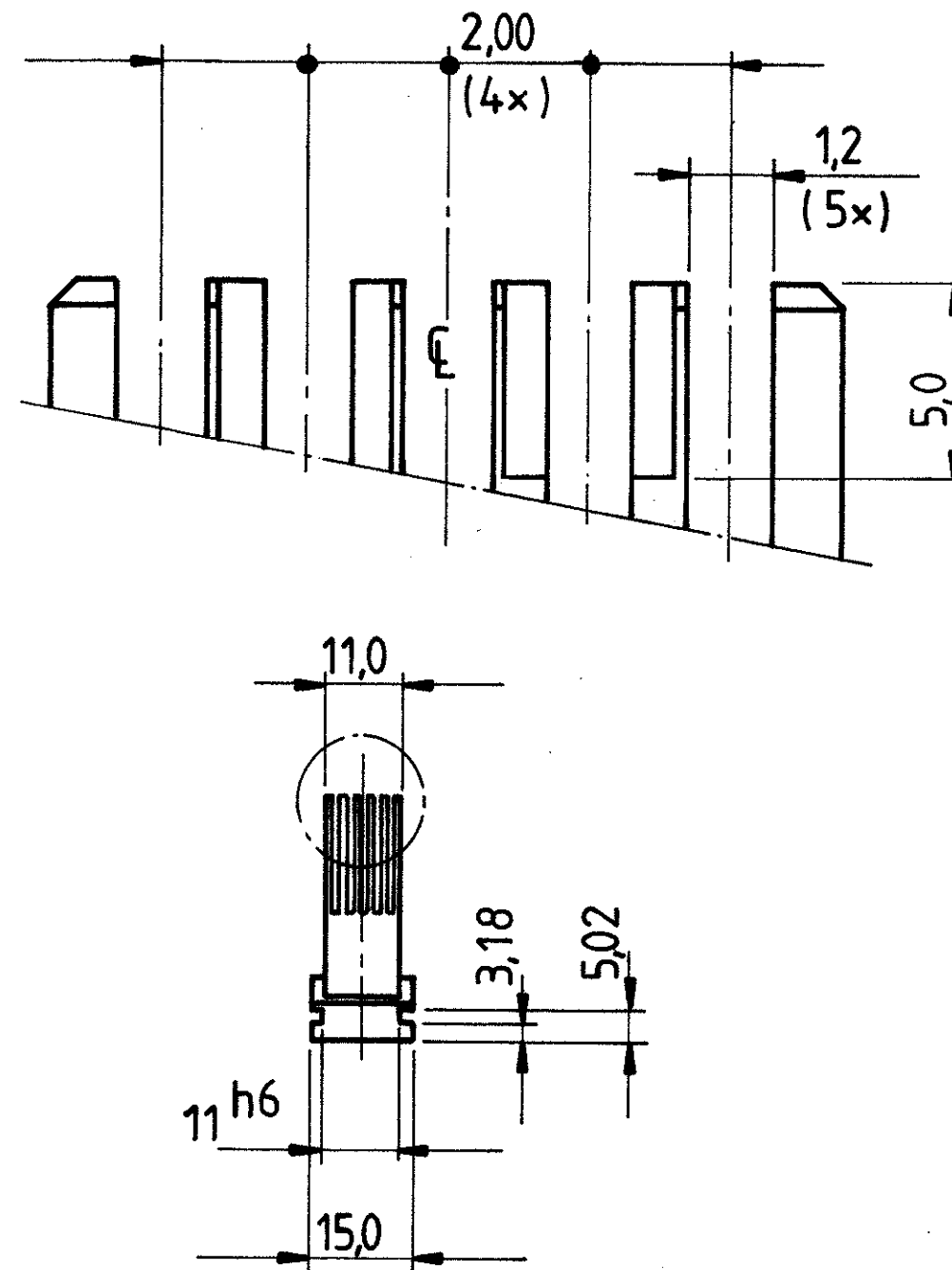
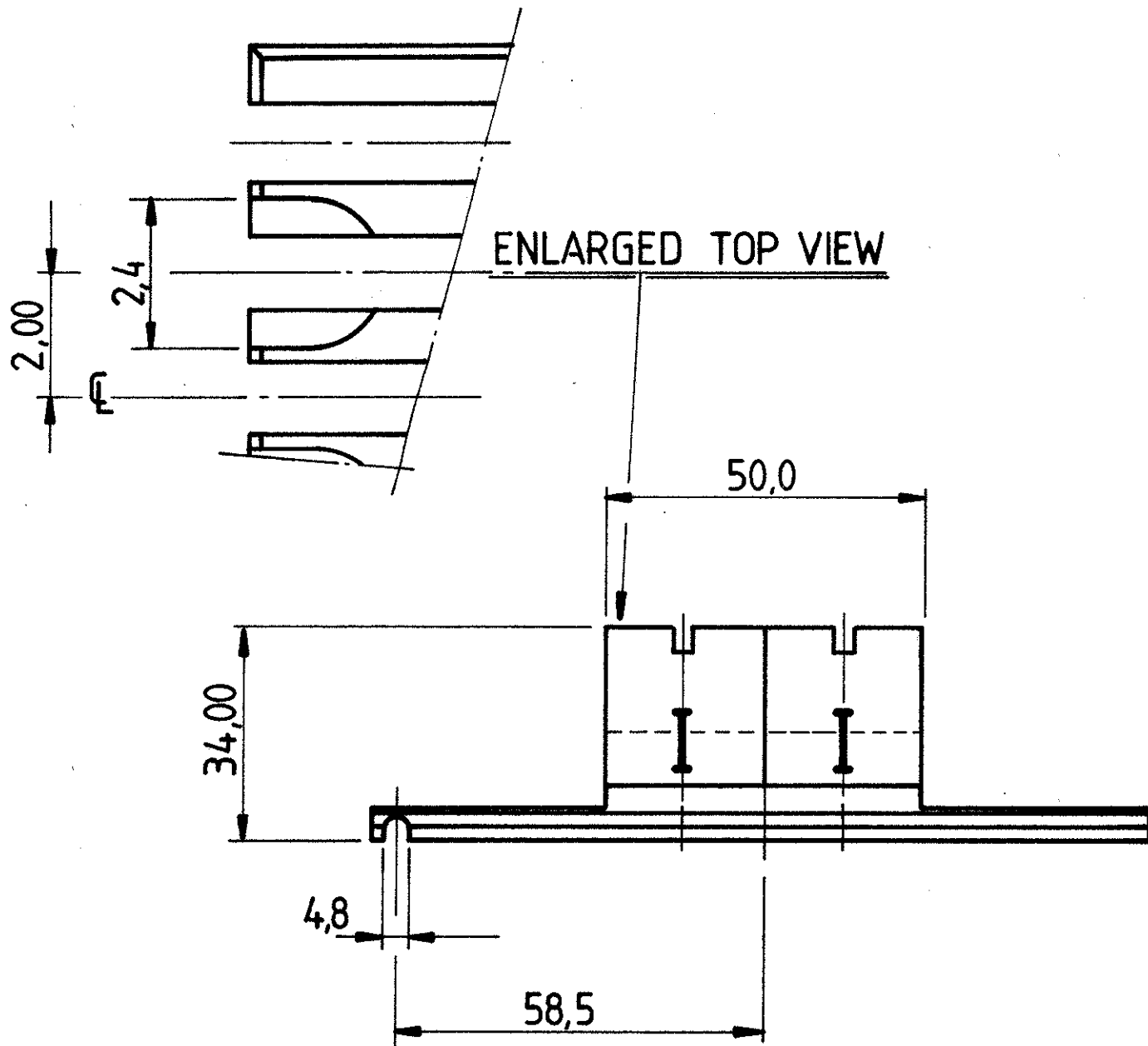
SHOW PART NR & VENDOR IN AREA MARKED X
(INCLUDE DASH NR & REVISION LTR)

NOT YET RELEASED

USED ON

THIS INFORMATION IS CONFIDENTIAL AND IS DISCLOSED TO YOU ON CONDITION THAT NO FURTHER DISCLOSURE IS MADE BY YOU TO OTHER THAN AMP PERSONNEL WITHOUT WRITTEN AUTHORIZATION FROM AMP-HOLLAND B.V.

DISTR



DWG SIZE		PART NO		DESCRIPTION		ITEM NO
← REVISION OF EACH ASSY NO (WHEN BLANK, USE DWG REVISION)						
QTY REQD PER ASSY				PARTS LIST		
TOLERANCES UNLESS OTHERWISE SPECIFIED. REMOVE BURSS. ANGLES ± 0°30'		MATERIAL (W. ST. NR.)		HEAT TREAT		FINISH NICKEL PLATED
DIMENSIONS IN		DR. C.V. ZOELLEN		First used		AMP AMP-HOLLAND B.V. 's-Hertogenbosch, The Netherlands
INCHES		CHK. v.Z. 12/1-96		NAME P.C.B. SUPPORT - A/B -		
.00 ± .02		.0 ± 0,5		SCALE		SHEET OF
.000 ± .005		.00 ± 0,2		LOC H		SIZE A3
.0000 ± .0005		.000 ± 0,005		NO C-438051-1		REV A 00

8 7 6 5 4 3 2 1

F
E
D
C
B
A