

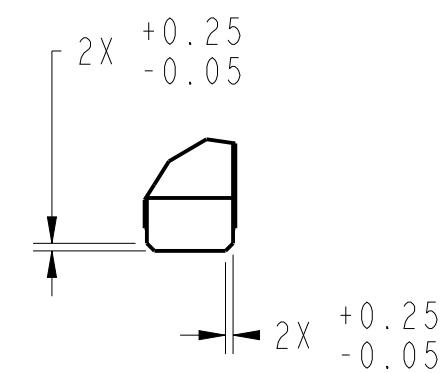
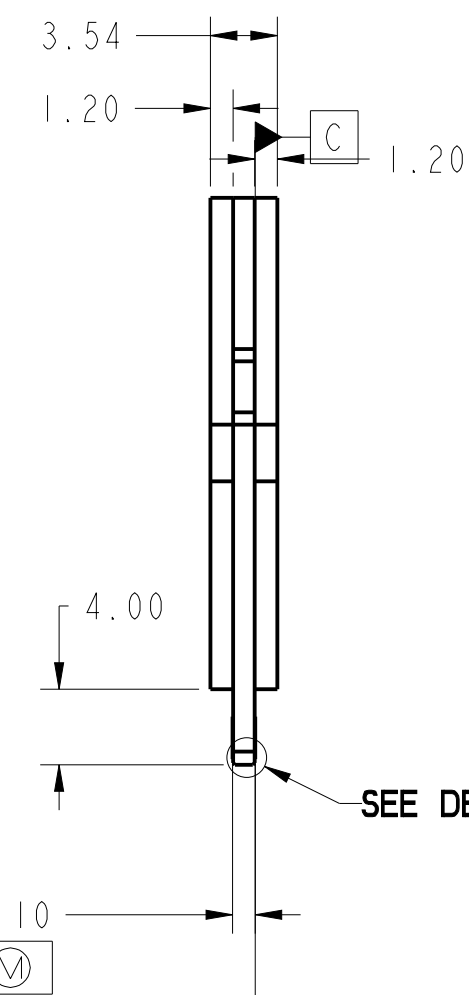
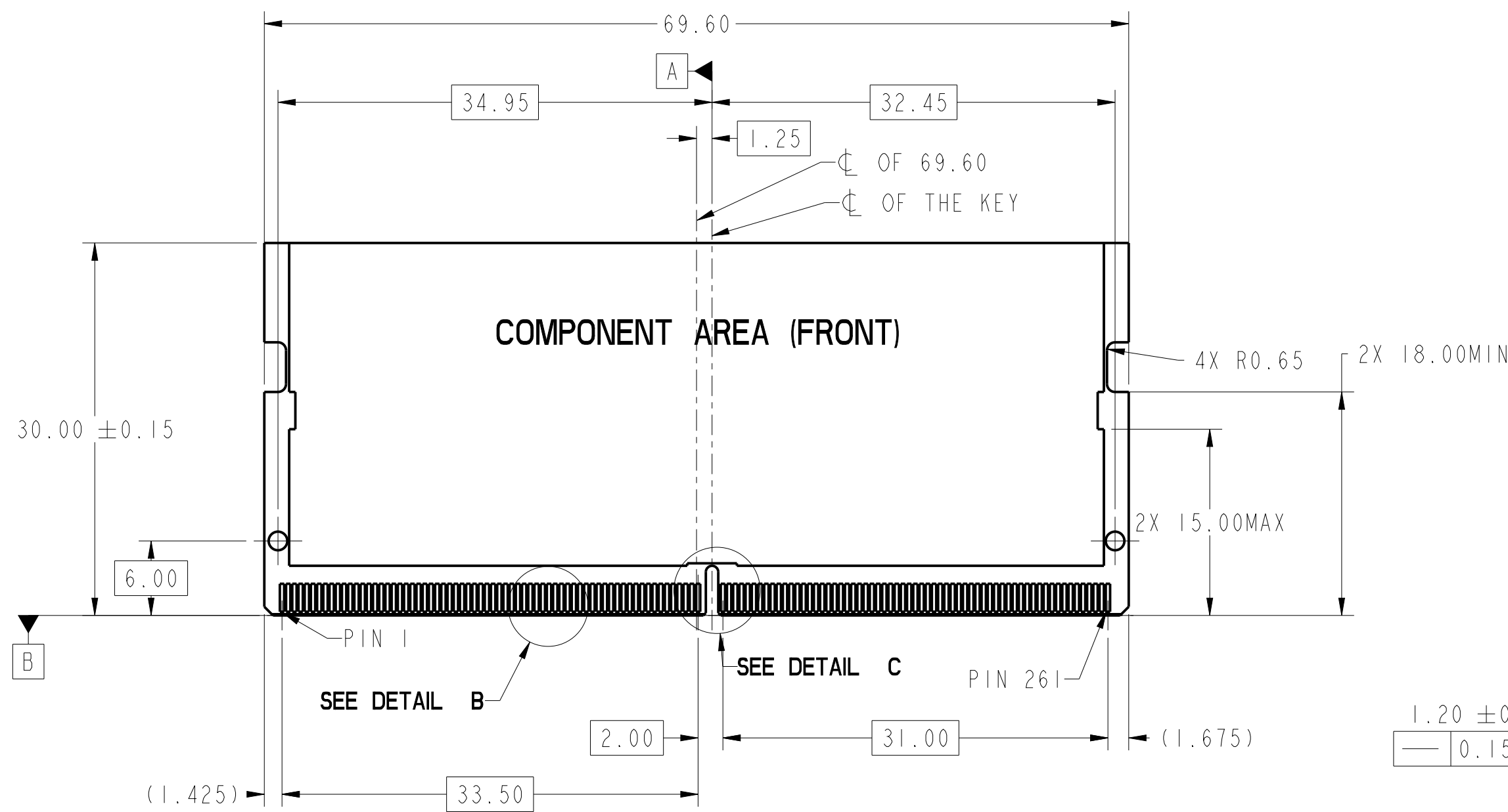
Amphenol  
FCi

© 2016 AFci

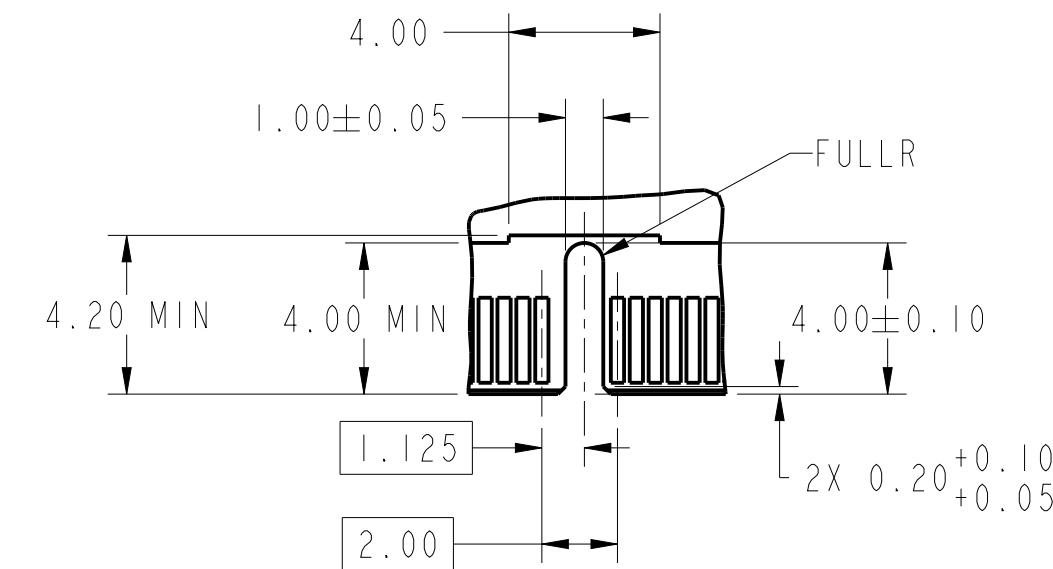
PRELIMINARY

MATING: ① INSERTING (25°) → ② ROTATING → ③ FIXED  
 UNMATING: ④ UNFIXED → ⑤ ROTATING → ⑥ WITHDRAWING

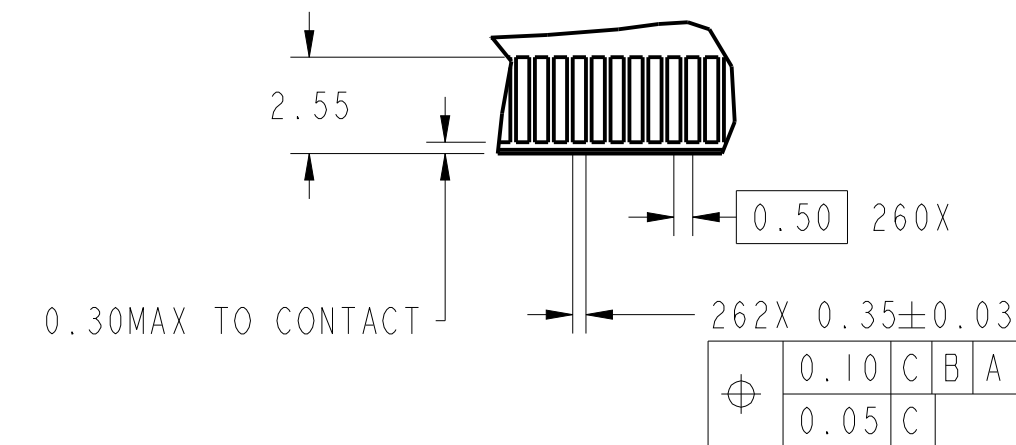
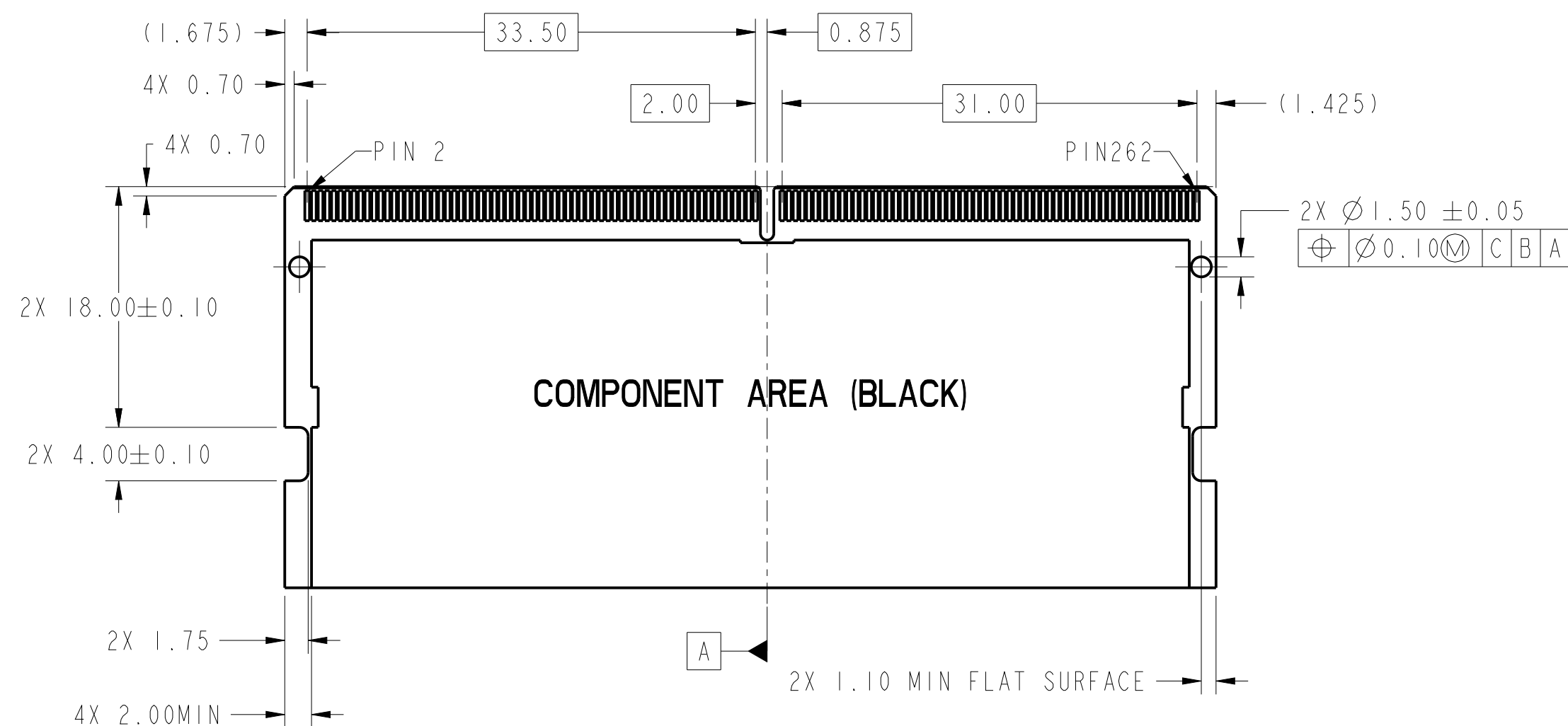
spec ref	dr LOREN LU	2021-03-10	projection	MM	size A2	scale 1:1
tolerance std	eng LOREN LU	2021-03-10			ecn no	rel level
ISO 406	chr					
ISO 1101	appr		product family			
surface	linear	0.X ±0.30	Amphenol FCI		title	rev
		0.XX ±0.20	DDR5 SODIMM R/A 262PIN		10162416	I
		0.XXX ±0.10	STD CONNECTOR 0.50mm PITCH		cat. no.	
ISO 1302	angular	0° ±2°	Product-Customer Drw		sheet 1 of 4	



**DETAIL A**  
SCALE 10:1



**DETAIL C**  
SCALE 5:1

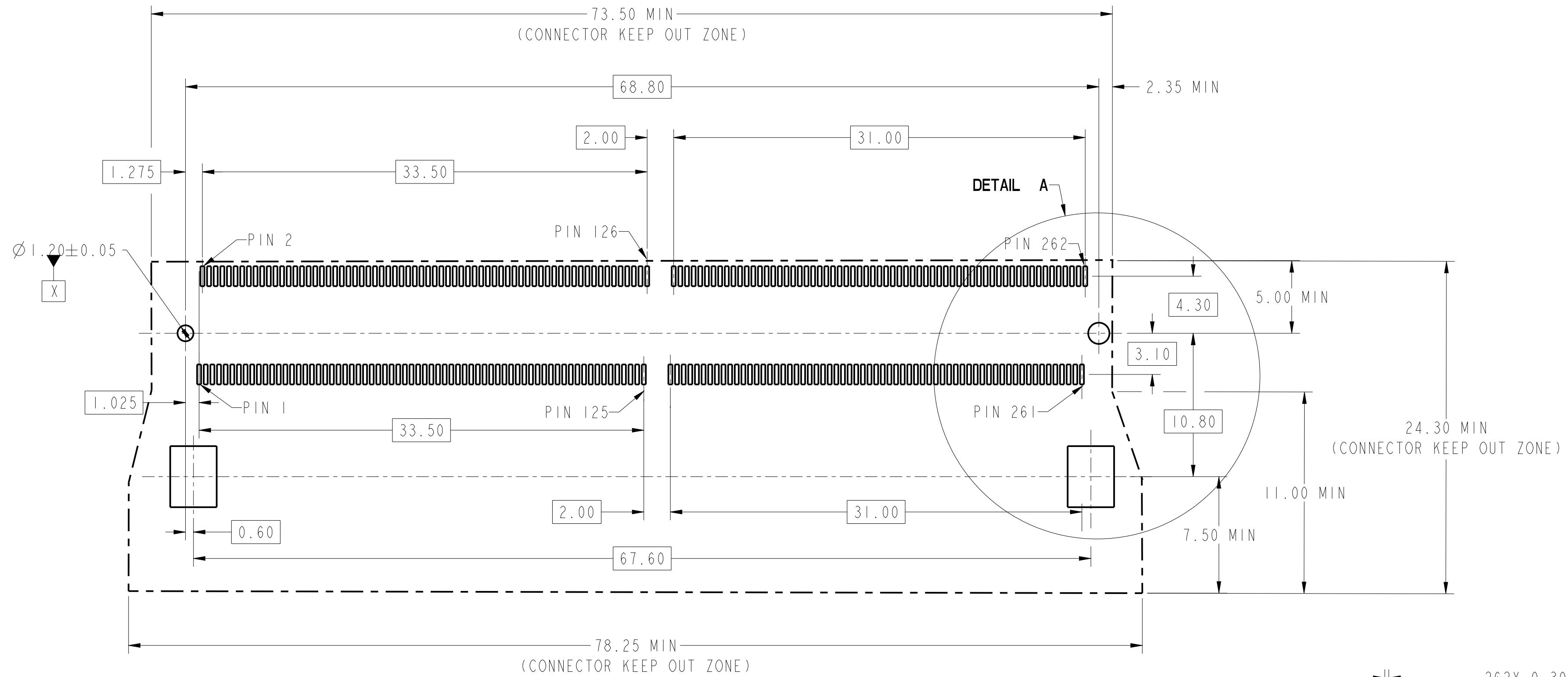


**DETAIL B**  
SCALE 5:1

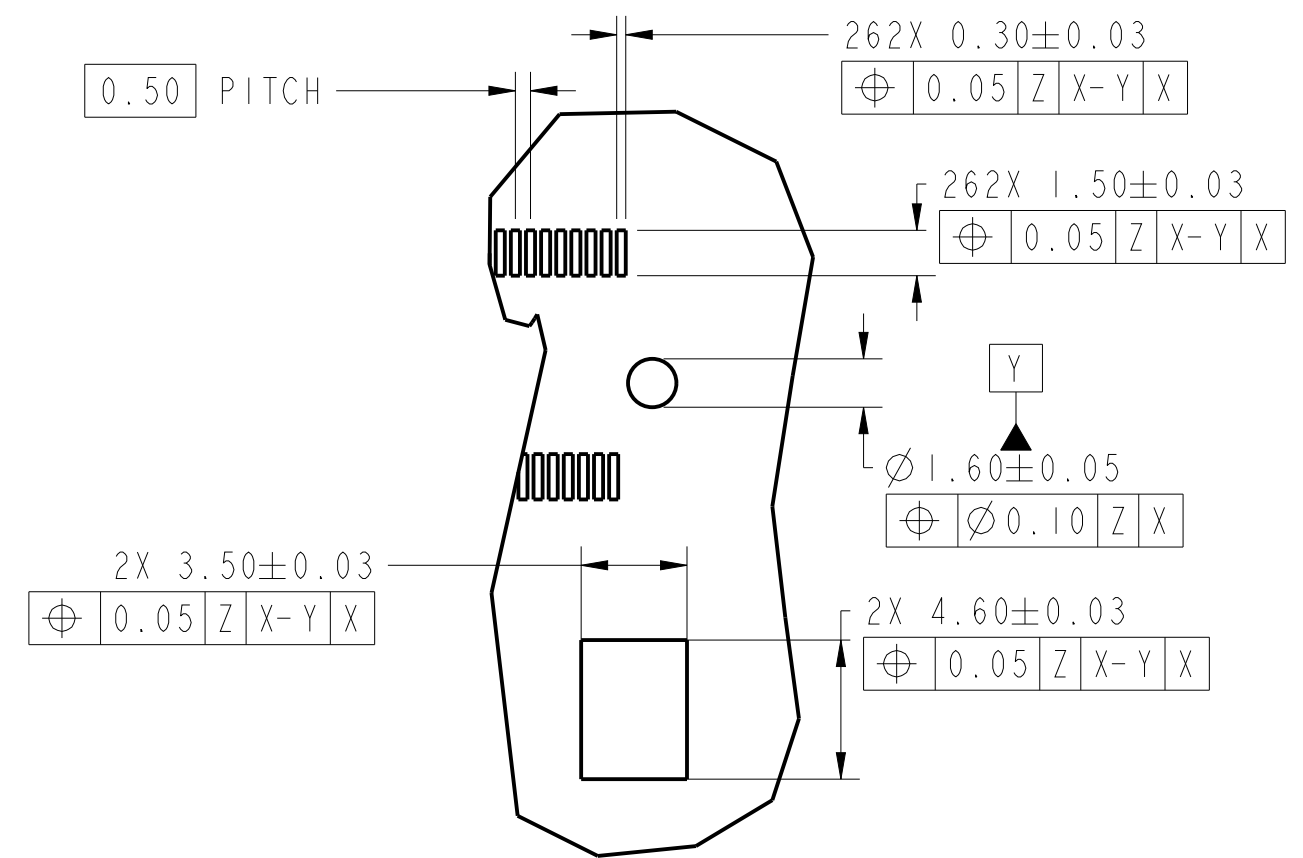
**RECOMMEND CARD**

**PRELIMINARY**

spec ref	dr	LOREN LU	2021-03-10	projection	MM	size	A2	scale	1:1
tolerance std	eng	LOREN LU	2021-03-10	product family		ecn no			
ISO 406	chr					rel level		In Work	
ISO 1101	appr								
surface	linear	0.X	±0.30	<b>Amphenol FCI</b>	title	DDR5 SODIMM R/A 262PIN	dwg no	10162416	rev
		0.XX	±0.20			STD CONNECTOR 0.50mm PITCH			I
		0.XXX	±0.10		cat. no.	Product-Customer Drw		sheet 2 of 4	
ISO 1302	angular	0°	±2°						



RECOMMEND PCB LAYOUT  
 THE TOLERANCE UNLESS SPECIFIED IS ±0.05MM



DETAIL A  
 SCALE 4:1

PRELIMINARY

spec ref	dr	LOREN LU	2021-03-10	projection	MM	size	A2	scale	1:1
tolerance std	eng	LOREN LU	2021-03-10			ecn no	rel level	In Work	rev
ISO 406	chr	-	-						
ISO 1101	appr	-	-	product family	-				
surface	linear	0.X	±0.30			<b>DDR5 SODIMM R/A 262PIN</b>		dwg no <b>10162416</b>	rev <b>I</b>
ISO 1302	angular	0.XX	±0.20	<b>STD CONNECTOR 0.50mm PITCH</b>		<b>Product-Customer Draw</b>		sheet 3 of 4	
		0.XXX	±0.10	cat. no.					
		0°	±2°						

Amphenol  
 FCI

© 2016 APCI

- NOTES:
1. MATERIAL:
    - 1.1 HOUSING:HIGH TEMPERATURE MATERIAL ,COLOR:BLACK.
    - 1.2 CONTACT:COPPER ALLOY.
    - 1.3 SOLDER TAIL AND HOLD DOWN:STAINLESS STEEL.
  2. FINISH:
    - 2.1 CONTACT: GOLD FLASH PLATING ON SOLDER TAIL.  
GOLD PLATING (THICKNESS SEE PART NUMBER DESCRIPTION)  
ON CONTACT AREA.
    - 2.2 SOLDER TAIL:  
MATTE TIN PLATING ALL OVER,NICKEL UNDERPLATED ALL OVER.
  3. DATE CODE : SSYYWWD  
S: MANUFACTURING SITE  
VALLEY GREEN =V  
DONGGUAN= DG  
MALAYSIA= M  
YY:YEAR  
WW:WEEK  
D: DAY (MONDAY=1)
  4. PRODUCT SPECIFICATION:GS-12-XXXX
  5. PACKAGE SPECIFICATION:GS-14-XXXX
  6. PRODUCT MARKING, (PART NUMBER&LOT CODE), ON THIS SURFACE
  7. LEAD FREE PRODCUT MEETS THE EUROPEAN UNION DRECTIVES&OTHER  
COUNTRY REGULATIONS AS DESCRIBED IN GS-47-0004
  8. THE CONNECTOR WILL WITHSTAND EXPOSURE TO 260°C PEAK TEMPERATURE  
FOR 10 SECONDS IN CONVECTION, INFAR-RED ,OR VAPOR PHASE  
REFLOW OVEN

PART NUMBER DESCRIPTION:

10162416-0 0 X R H L F



Amphenol  
FCi

© 2016 AFci

PRELIMINARY

spec ref		dr	LOREN LU	2021-03-10	projection	MM	size	A2	scale	1:1		
tolerance std		eng	LOREN LU	2021-03-10		←	ecn no		In Work			
ISO 406 ISO 1101		chr	-	-			rel level					
TOLERANCES UNLESS OTHERWISE SPECIFIED		appr			product family							
surface	linear	0.X	±0.30		Amphenol FCi	title	DDR5 SODIMM R/A 262PIN		dwg no	10162416	rev	I
		0.XX	±0.20				STD CONNECTOR 0.50mm PITCH					
		0.XXX	±0.10									
ISO 1302	angular	0°	±2°		cat. no.	Product-Customer Drw		sheet 4 of 4				