

4

3

2

1

THIS DRAWING IS UNPUBLISHED.

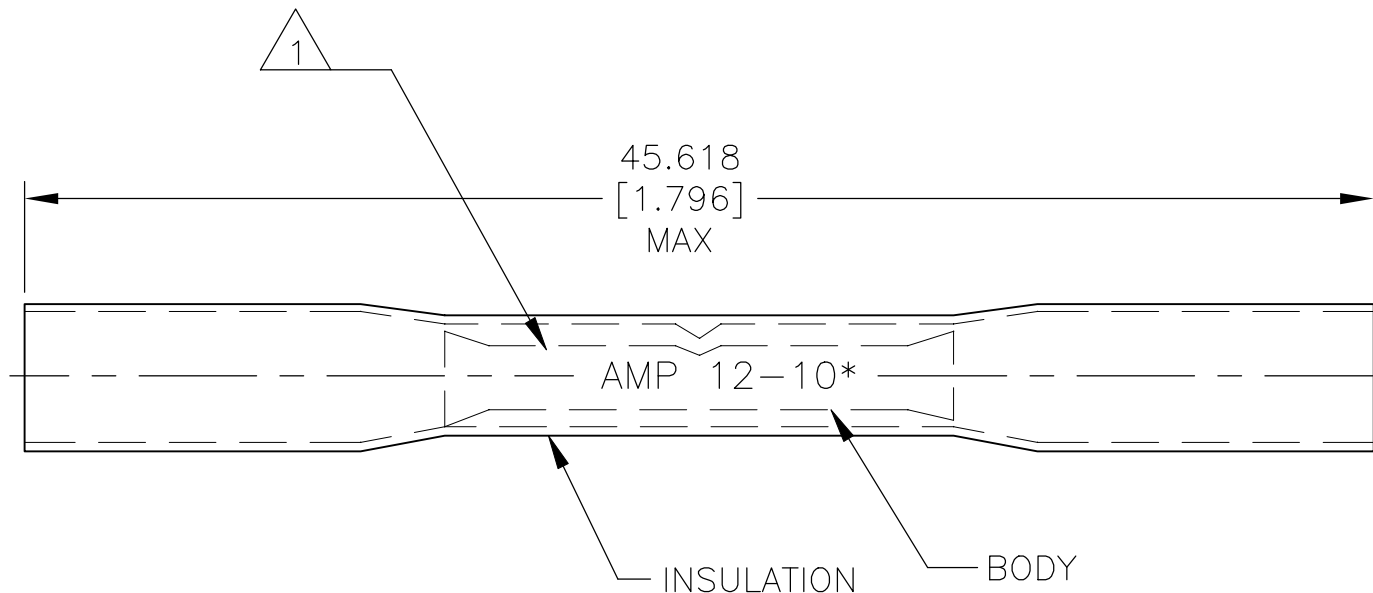
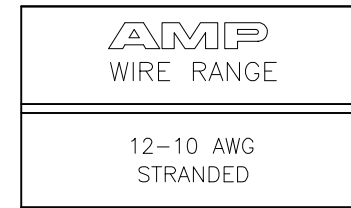
RELEASED FOR PUBLICATION

--

REVISIONS

© COPYRIGHT - By - ALL RIGHTS RESERVED.

P	LTR	DESCRIPTION	DATE	DWN	APVD
	E1	REVISED PER ECO-15-002700	20FEB2015	NK	DR
	E2	REVISED PER ECO-17-016703	06APR2018	RS	DR



- 1 STAMP AMP 12-10* APPROX AS SHOWN.
- 2 WIRE INSULATION IS $\phi 6.096[\phi.240]$ MAX
- 3 NOTE DLETED
- 4 NOTE DLETED

25	LOOSE PIECE	8-55826-3
500	LOOSE PIECE	55826-1
QTY	PACKAGE TYPE	PART NO

AMP INCORPORATED
CUSTOMER SERVICE SYSTEMS

MAX RECOMMENDED OPERATING TEMPERATURE:
125° C[257° F] MAX

THIS DRAWING IS A CONTROLLED DOCUMENT.

DWN	S S GOULDEN	6/93
CHK	R HERSEY	6/93
APVD	B BARE	6/93
PRODUCT SPEC	-	
APPLICATION SPEC	408-4022	
WEIGHT	-	



VOLTAGE RATING:
600V MAX (BUILDING WIRING)
1000V MAX (FIXTURES & SIGNS)

CIRCULAR MIL AREA:
2.62-6.64mm² [5180-13100]
STRANDED

DIMENSIONS:	TOLERANCES UNLESS OTHERWISE SPECIFIED:
mm [INCHES]	
	0 PLC ± -
	1 PLC ± -
	2 PLC ± -
	3 PLC ± 0.127[.005]
4 PLC ± -	± -
ANGLES	± -

NAME
SPLICE, SEALABLE
HEAT SHRINKABLE
12-10 AWG

FOR ADDITIONAL PRODUCT INFORMATION OR COPIES OF DRAWINGS AND TECHNICAL DOCUMENTS

PRODUCT INFORMATION CENTER
1-800-522-6752

FOR APPLICATION TOOLING INFORMATION

TOOLING ASSISTANCE CENTER
1-800-722-1111

FOR ORDER ENTRY

1-800-526-5142

THIS DRAWING IS A CONTROLLED DOCUMENT FOR AMP INCORPORATED. IT IS SUBJECT TO CHANGE AND THE CONTROLLING ENGINEERING ORGANIZATION SHOULD BE CONTACTED FOR THE LATEST REVISION.

MATERIAL
BODY: ETP COPPER
INSULATION: POLYOLEFIN

FINISH
BODY: EDP TIN PLATED
INSULATION:
COLOR-YELLOW

SIZE	CAGE CODE	DRAWING NO	RESTRICTED TO
A3	00779	C-55826	-
CUSTOMER DRAWING		SCALE	SHEET
		NTS	1 OF 1
			REV E2