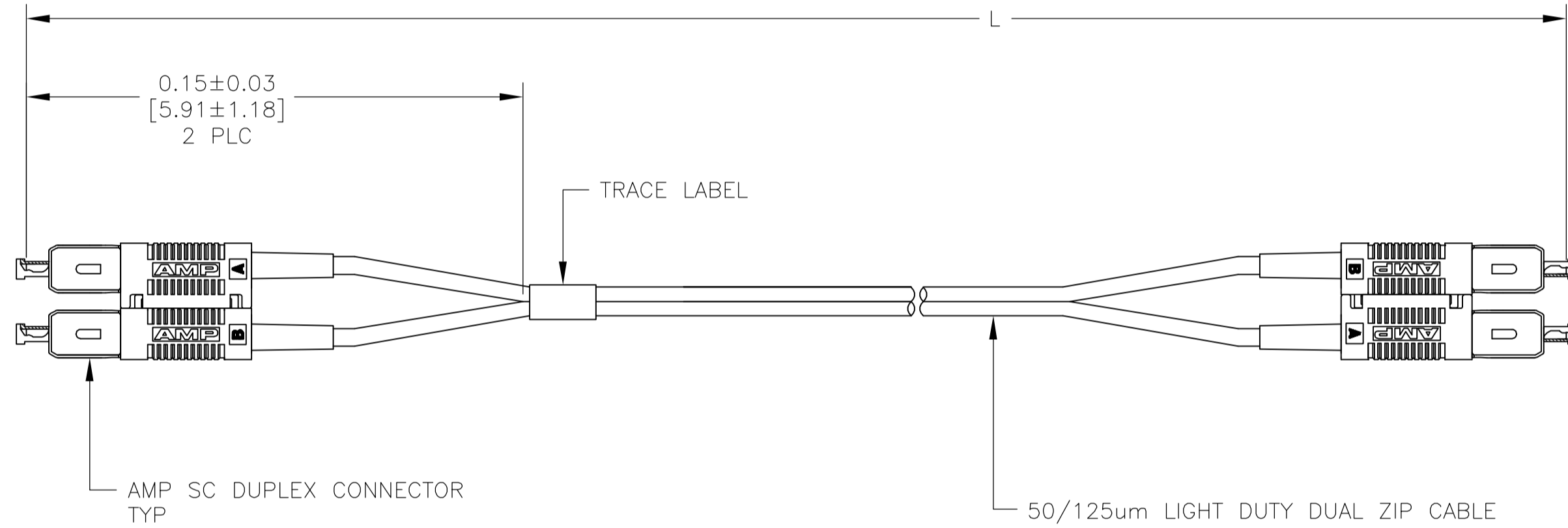


THIS DRAWING IS UNPUBLISHED. RELEASED FOR PUBLICATION  
 © COPYRIGHT BY TYCO ELECTRONICS CORPORATION. ALL RIGHTS RESERVED.

| LOC | DIST | REVISIONS |     |                    |         |     |      |
|-----|------|-----------|-----|--------------------|---------|-----|------|
| CE  | 16   | P         | LTR | DESCRIPTION        | DATE    | OWN | APVD |
|     |      | A1        |     | ADDED PART NO 3--2 | 26JUN06 | JWD | JD   |

- 1. MAXIMUM CONNECTOR INSERTION LOSS IS 0.5 dB PLUS CABLE ATTENUATION OF 2 dB/km, AT 1300nm. (SEE TABLE)
- 2. GEOMETRY REQUIREMENTS: RADIUS OF CURVATURE: 10-30mm
- 3. PRODUCT AND PROCESSING MUST MEET REQUIREMENTS OF TYCO ELECTRONICS STANDARD 230-702.



| MAX IL (dB) | L                              | PART NUMBER |
|-------------|--------------------------------|-------------|
| 0.51        | 7.00±0.08 [275.6±3.0]          | 3-5504969-2 |
| 0.52        | 19.00±0.30 [748.0±12.0]        | 3-5504969-1 |
| 0.51        | 13.00±0.15 [511.8±6.0]         | 3-5504969-0 |
| 0.5         | 0.406±0.03 [16.00±1.00]        | 2-5504969-9 |
| 0.5         | 1.50±0.05 [59.10±2.00]         | 2-5504969-8 |
| 0.5         | 0.61±0.03 [24.00±1.00]         | 2-5504969-7 |
| 0.68        | 91.00±0.91 [3582.68±35.83]     | 2-5504969-6 |
| 0.62        | 61.00±0.61 [2401.57±24.02]     | 2-5504969-5 |
| 0.58        | 41.00±0.41 [1614.17±16.14]     | 2-5504969-4 |
| 0.55        | 25.00±0.30 [984.25±11.81]      | 2-5504969-3 |
| 1.7         | 600.00±6.00 [23622.05±236.22]  | 2-5504969-2 |
| 1.6         | 550.00±5.50 [21,653.54±216.54] | 2-5504969-1 |
| 1.5         | 500.00±5.00 [19,685.04±196.85] | 2-5504969-0 |
| 1.4         | 450.00±4.50 [17,716.54±177.17] | 1-5504969-9 |
| 1.3         | 400.00±4.00 [15748.03±157.48]  | 1-5504969-8 |
| 1.2         | 350.00±3.50 [13779.53±137.95]  | 1-5504969-7 |
| 1.1         | 300.00±3.00 [11811.02±118.11]  | 1-5504969-6 |
| 1.0         | 250.00±2.50 [9842.52±98.43]    | 1-5504969-5 |
| 0.9         | 200.00±2.00 [7874.02±78.74]    | 1-5504969-4 |
| 0.8         | 150.00±1.50 [5905.51±59.06]    | 1-5504969-3 |
| 0.7         | 100.00±1.00 [3937.01±39.37]    | 1-5504969-2 |
| 0.65        | 75.00±0.80 [2952.76±31.50]     | 1-5504969-1 |
| 0.6         | 50.00±0.50 [1968.50±19.69]     | 1-5504969-0 |
| 0.5         | 4.00±0.08 [157.48±3.15]        | 5504969-9   |
| 0.56        | 30.00±0.30 [1181.10±11.81]     | 5504969-8   |
| 0.54        | 20.00±0.30 [787.40±11.81]      | 5504969-7   |
| 0.53        | 15.00±0.15 [590.55±5.91]       | 5504969-6   |
| 0.52        | 10.00±0.15 [393.70±5.91]       | 5504969-5   |
| 0.51        | 5.00±0.08 [196.85±3.15]        | 5504969-4   |
| 0.5         | 3.00±0.05 [118.11±1.97]        | 5504969-3   |
| 0.5         | 2.00±0.05 [78.74±1.97]         | 5504969-2   |
| 0.5         | 1.00±0.05 [39.37±1.97]         | 5504969-1   |

THIS DRAWING IS A CONTROLLED DOCUMENT.

|                  |              |         |   |
|------------------|--------------|---------|---|
| DWN              | KATHY HE     | 24OCT05 | <br>Tyco Electronics Corporation<br>Harrisburg Pa, 17105-3608                     |
| CHK              | RICHARD ZHAO | 24OCT05 |   |
| APVD             | J. DUNCAN    | 24OCT05 |   |
| NAME             | -            |         |   |
| PRODUCT SPEC     | -            |         | CABLE ASSY, FIBER OPTIC, 50/125um LDD ZIP, AMP SC DUPLEX, FIBRE CHANNEL, OPTIMATE |
| APPLICATION SPEC | -            |         | SIZE CAGE CODE DRAWING NO RESTRICTED TO   |
| MATERIAL         | -            |         | A2 00779 C-5504969  |
| WEIGHT           | -            |         | CUSTOMER DRAWING SCALE NTS SHEET 1 OF 1 REV A1                                    |