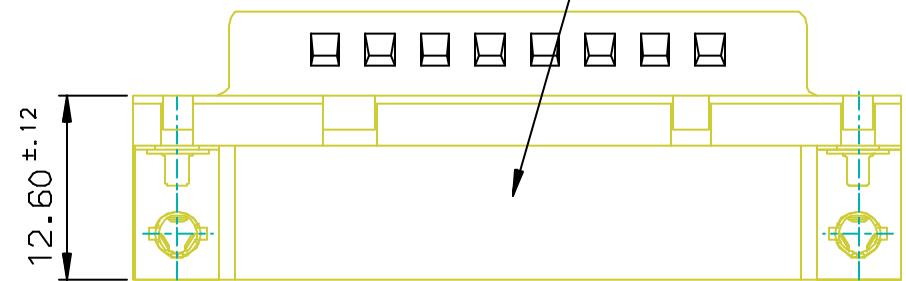
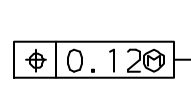


Part Number & Date Code Printing

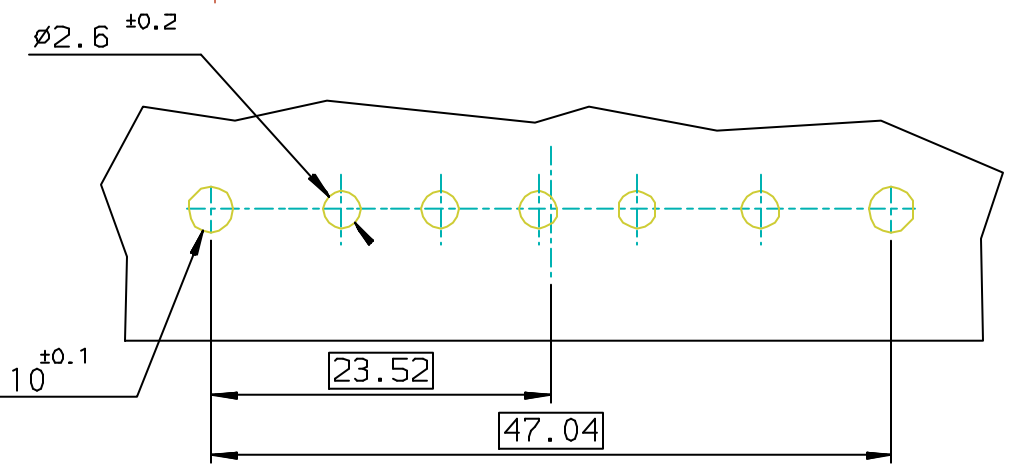


| | |
|-----------------|----------|
| D5W5P36A6GX08** | UNC 4.40 |
| D5W5P36A6GL08** | M3 |
| PART NUMBER | THREADED |

LF FOR LEAD FREE



PC CARD DRILLING DIMENSIONS
Components side view - Thickness 1.60mm



REQUIREMENTS

Technical characteristics:

- Material contacts - brass
- Finish on contact area -gold 0.76µ mini over nickel
- Finish on terminaison end - bright tin - Lead over nickel

Shell: steel tin/Zinc Cr3 plated
 Insulators: self-extinguishing thermoplastic, ULclass94V0
 Grounding brackets: brass, tin/Zinc Cr3 plated
 Insert M3 :brass, tin/Zinc Cr3 plated
 Harpoon: brass , tin plated

Climatic characteristics:

Operating temperature range: -55°C +125°C

Dimensions:

in accordance with MIL-C-24308

FOR ROHS DETAILS REFER DWG.NO:C01-8646-0000

European Views

| rev | ecn no | dr | date |
|-----|----------|----|------------|
| C | 105-0124 | JS | 2005/07/27 |
| D | 106-0074 | SK | 2006/06/08 |
| - | - | - | - |
| - | - | - | - |
| - | - | - | - |
| - | - | - | - |

| | | | | |
|---------------------------------------|-------------|-----------------------|-----------------------------------|------------------|
| www.fciconnect.com | | surface ISO 1302 ✓ | tolerance std ISO 406 ISO 1101 | projection mm |
| TOLERANCES UNLESS OTHERWISE SPECIFIED | | | | |
| Dr | JOHN SLEEBA | 2001/02/06 | ANGULAR | 0.X ±0.1 |
| Eng | GEORGE VJ | 2001/02/06 | LINEAR | 0.XX ±0.1 |
| Chr | GEORGE VJ | 2005/07/27 | 0.XX* ±1* | 0.XXX ±0.1 |
| Appr | KVSD | 2005/07/27 | Product family | D-SUB |
| title MALE CONNECT. 5W5 | | | size A3 | Scale 1:1 |
| metal plate, harpoons, insert | | | ECN | - |
| catalog no DELTA-D | | | Spec ref | - |
| FCi | | | dwg no C01-8646-0771 | Rev. D |
| | | | CUSTOMER | sheet 1 of 1 |



Copyright FCI.