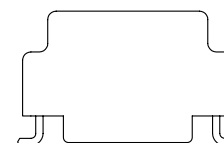
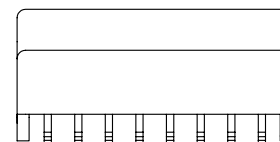
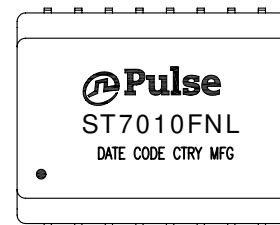


NOTES:

1. ROHS COMPLIANT
2. HEADER: PHENOLIC WITH FLAMMABILITY RATING UL 94V-0 OR BETTER.
3. STORAGE TEMPERATURE: -20°C TO +125°C
4. COMPLIANCE TO J-STD:
  - A. J-STD-002: SOLDERABILITY AT 245°C REFLOW PROFILE
  - B. J-STD-020: LEVEL 1, NO MOISTURE SENSITIVE
  - C. J-STD-075: R7, 245°C MAXIMUM THROUGH REFLOW SOLDER
5. TO ORDER TAPE & REEL PACKAGING ADD A "T" SUFFIX TO THE PART NUMBER(i.e ST7010FNL BECOMES ST7010FNLT).

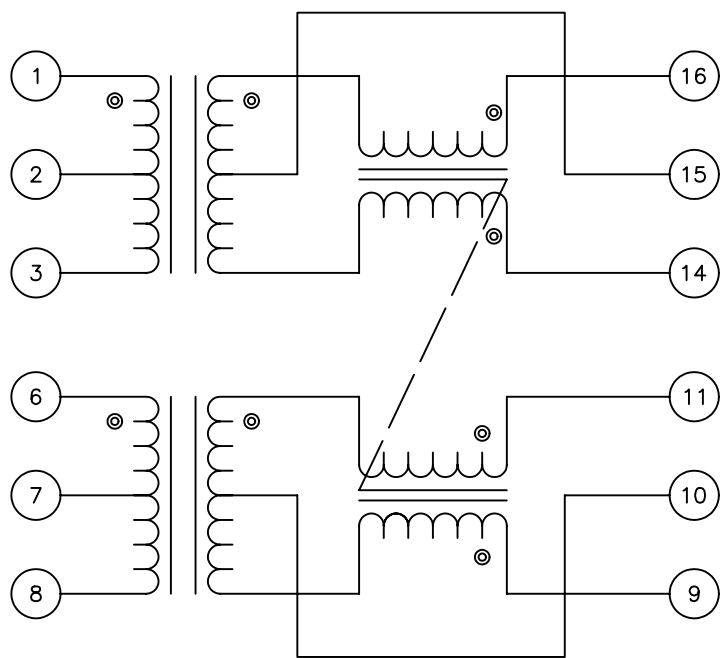


FINAL OUTLINE

© Copyright, 2014. Pulse Electronics Corp. All rights reserved. Pulse confidential & proprietary. (06/11/14)

PRODUCT DESCRIPTION	TLA DRAWING	PS DRAWING	SHEET	PART NO.	DATASHEET REV.
MDL,SIN,10D,1:1.414 SM,TU	ST7010FNL-10	PS-2755.001-A	1 OF 3	ST7010FNL	A

ELECTRICAL CHARACTERISTICS AT +25°C UNLESS OTHER SPECIFIED

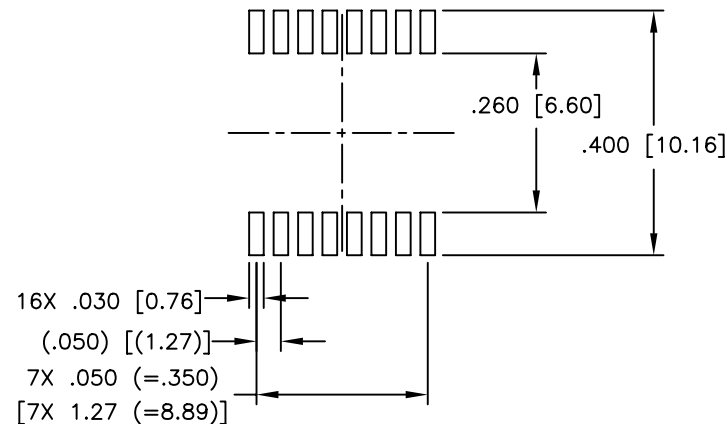
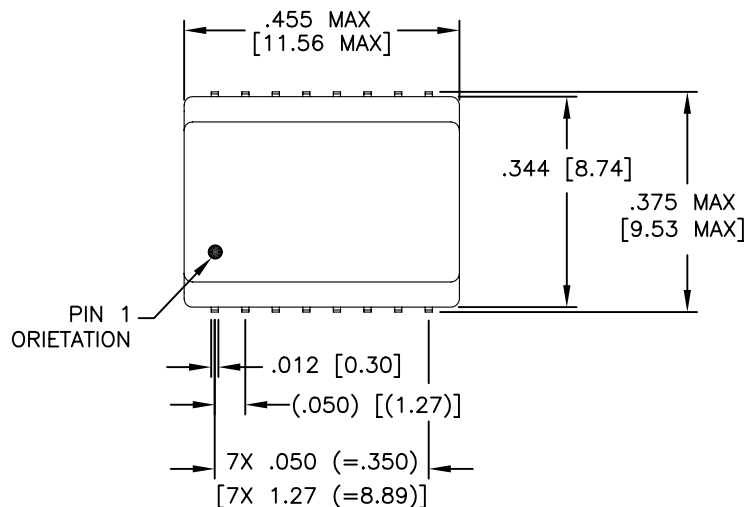


SCHEMATIC

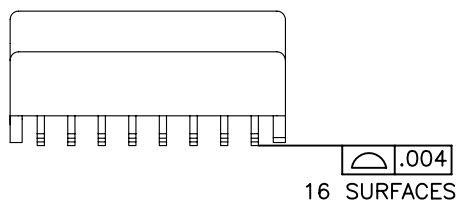
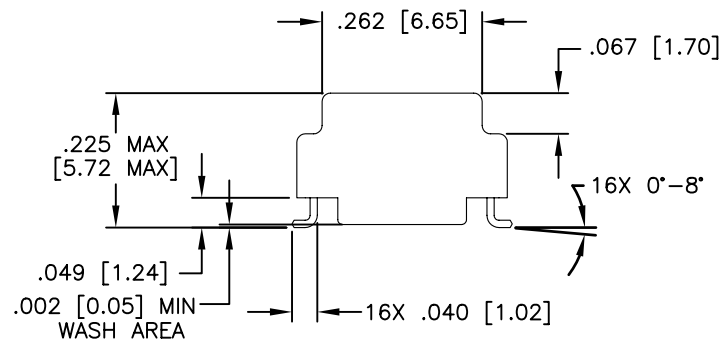
PARAMETER	SPECIFICATIONS				
OPERATING TEMPERATURE	0°C ~ +70°C				
POLARITY	PER SCHEMATIC				
URNS RATIO	$(6-8)/(11-9) = 1 : 1.414 \pm 5\%$ $(1-3)/(16-14) = 1 : 1 \pm 5\%$				
INDUCTANCE (OCL) @ 20 mV, 10 KHz	$(1-3) = 175 \mu\text{H MIN}$ $(6-8) = 80 \mu\text{H MIN}$ $15-(14, 16) = 18-60 \mu\text{H}$				
DC RESISTANCE	0.9 OHMS MAX				
LL	$(1-3) \text{ SHORTED } (14-16) = .40 \mu\text{H MAX @ } 1 \text{ MHz MIN}$ $(9-11) \text{ SHORTED } (6-8) = .55 \mu\text{H MAX @ } 1 \text{ MHz MIN}$				
CWW	20 pF MAX (AT 140 KHz, 1 V)				
BETWEEN CHANNEL ISOLATION	1500 VRMS FOR 60 SECONDS				
Zp 15-(14, 16)	10 MHz	20-30 MHz	55 MHz	70 MHz	100 MHz
	650 OHMS	950 OHMS MIN	550 OHMS MIN	400 OHMS MIN	200 OHMS MIN

© Copyright, 2014. Pulse Electronics Corp. All rights reserved. Pulse confidential & proprietary. (06/11/14)

PRODUCT DESCRIPTION	TLA DRAWING	PS DRAWING	SHEET	PART NO.	DATASHEET REV.
MDL,SIN,10D,1:1.414 SM,TU	ST7010FNL-10	PS-2755.001-A	2 OF 3	ST7010FNL	A



SUGGESTED LAND PATTERN



DIMENSIONS ARE IN INCHES [MILLIMETERS] WITH THE FOLLOWING TOLERANCES: [MILLIMETERS] ARE FOR REFERENCE ONLY.  
 .XX= ±.01 [±0.25]  
 .XXX= ±.005 [±0.13]

© Copyright, 2014. Pulse Electronics Corp. All rights reserved. Pulse confidential & proprietary. (06/11/14)

PRODUCT DESCRIPTION	TLA DRAWING	PS DRAWING	SHEET	PART NO.	DATASHEET REV.
MDL,SIN,10D,1:1.414 SM,TU	ST7010FNL-10	PS-2755.001-A	3 OF 3	ST7010FNL	A