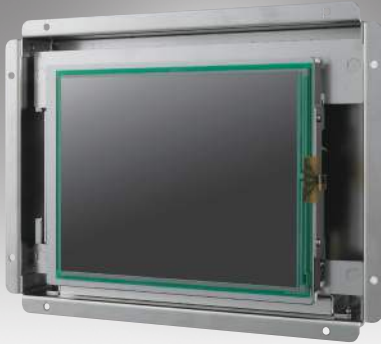


# IDS-3106

## 6.5" VGA Industrial Open Frame Monitor

NEW



### Features

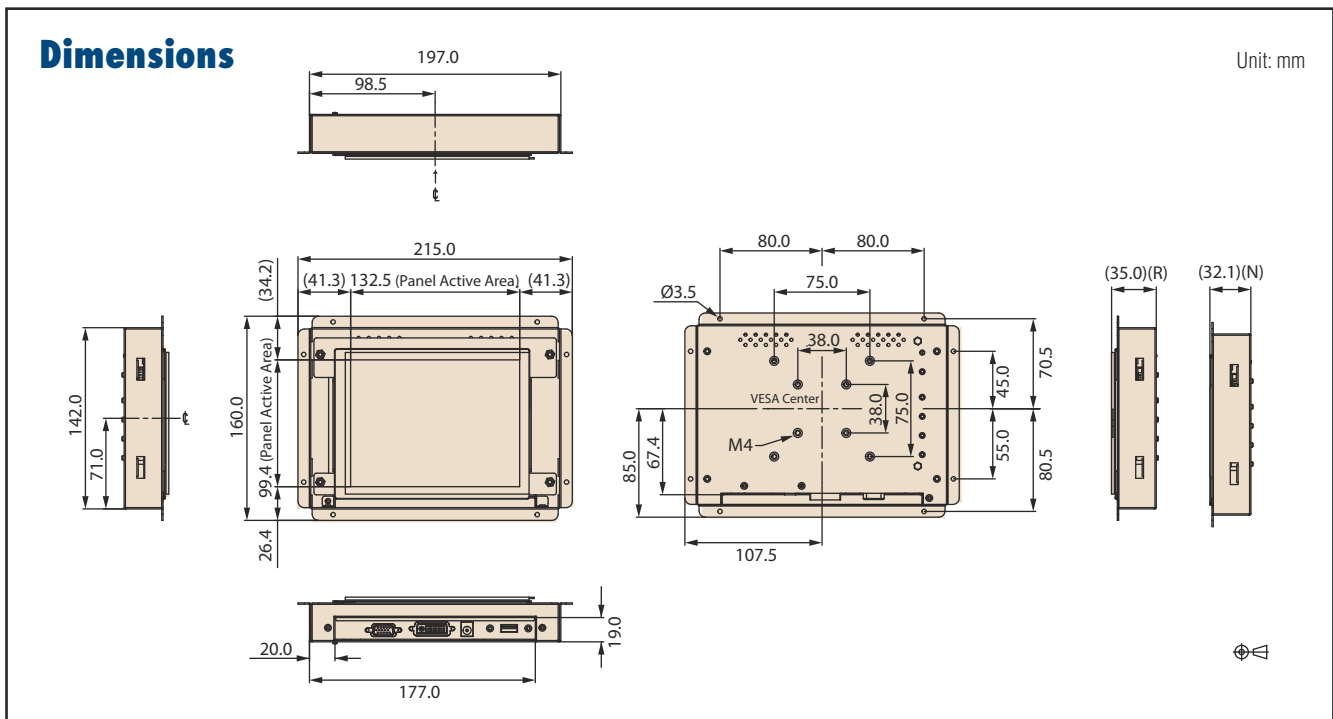
- 6.5" VGA LCD panel with LED backlight for 20% power saving and environmental protection
- 0° C ~ +50° C range operating temperature
- 4-wire resistive touchscreen solution
- USB touch interface
- Dual signal interface with VGA & DVI
- Integrated bracket for easy installation
- Versatile mounting method for rear mounting and VESA mounting
- Anti-reflective treatment for sunlight readable enhancement (optional)

### Introduction

The Advantech IDS-3106 Embedded Open Frame Monitor series offers flexible options for LCD, touchscreen, signal interface and chassis mounting. The series supports rear and VESA mounting. The integrated brackets bring the benefits of easy installation and provide flexibility for different applications.

### Specifications

|                      |                       |   |
|----------------------|-----------------------|---|
| Display              | Model                 | IDS-3106  |
|                      | Size                  | 6.5" LED panel  |
|                      | Resolution            | 640 x 480 (VGA)   |
|                      | Viewing Angle         | 80°/80° (H), 70°/70° (V)  |
|                      | Brightness            | 800 (cd/m <sup>2</sup> )  |
|                      | Color Support         | 16.2M/262K colors   |
|                      | Contrast Ratio        | 600:1   |
|                      | Response Time         | 25 [msec]   |
| Backlight Life (hrs) | 50,000 hrs            |   |
| Touchscreen          | T/S Type              | 4-Wire Resistive Touch Screen   |
|                      | Surface Hardness      | 3H  |
|                      | Durability            | 1 million touches   |
|                      | Transparency          | 80% ± 3%  |
| Environment          | Operating Temperature | 0~ 50° C (32 ~ 122° F)  |
|                      | Storage Temperature   | -20 ~ 60° C ( -4 ~ 140° F)  |
|                      | Humidity              | 5 ~ 95% @ 40° C, non-condensing   |
|                      | Vibration             | 5-500Hz, 0.026G <sup>2</sup> /Hz, 2.16Grms, X, Y, Z<br>1 hour per axis  |
| System               | I/O                   | VGA x1; DVI-D x 1; 12 V <sub>DC</sub> Jack x 1; USB x 1<br>(USB is reserved for the connection to enable touch usage only)  |
|                      | OSD                   | Keys: Menu, Up, Down, Auto Adjust, Monitor Power on/off<br>Menu Functions: Brightness, Contrast, Screen Setting, Color Temp, Language OSD Settings, VGA/DVI, Recall, Auto Adjust. |
|                      | Power                 | 36 W power adapter, with AC 100 ~ 240 V input and DC +12V @ 3 A output  |
|                      | EMC Compliance        | CE/FCC/CCC  |



### Packing List

| Part Number   | Description                         |
|---------------|-------------------------------------|
| 1700002215    | 1 x M Cable USB-A(M)/USB-A(M) 180CM |
| 1700021332-01 | 1 x VGA cable 15P(M) 1.8 meter      |
| 1962055040    | 4 x Clamper                         |
| 1935042520    | 4 x Screw of clamper M4_25L         |

\* USB Cable is only included in IDS-3106R series.  
 Note: Package contents are subject to change without prior notice

### Optional Items

| Part Number      | Description                         |
|------------------|-------------------------------------|
| 1700001524       | 3-Pin Power Cord (USA)              |
| 170203183C       | 3-Pin Power Cord (EU)               |
| 1700008921       | 3-Pin Power Cord with PSE (Japan)   |
| 96PSA-A36W12R1-3 | Adaptor AC100-240V 36W +12V/3A      |
| 1700000243-11    | M cable DVI 19P(M)/DVI 19P(M) 191cm |

### Ordering Information

| Model Name        | Description  |
|-------------------|--|
| IDS-3106N-80VGA1E | 6.5" VGA 800cd/m <sup>2</sup> LED Open Frame Monitor       |
| IDS-3106R-80VGA1E | 6.5" VGA 800cd/m <sup>2</sup> LED Open Frame Touch Monitor |

For more compatible embedded board solution, please visit our Build Your display web page as bellow  
<http://www.advantech.com/buildyourdisplay>