

6

5

4

3

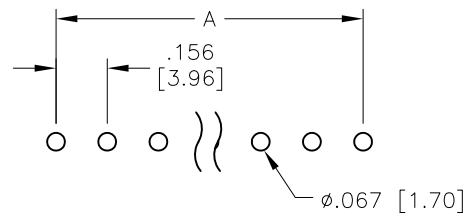
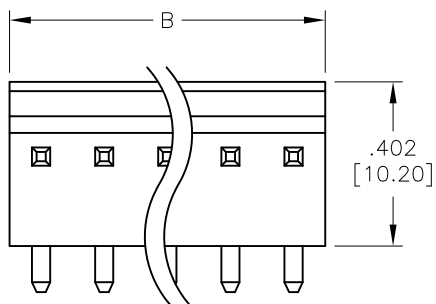
2

1

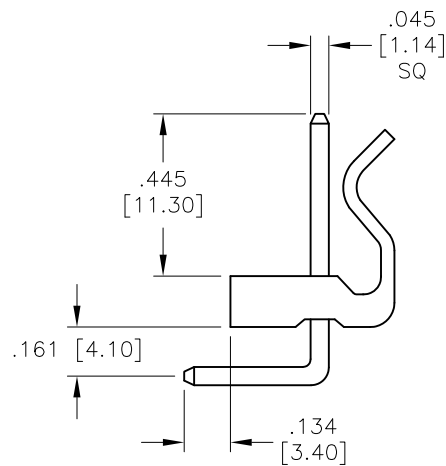
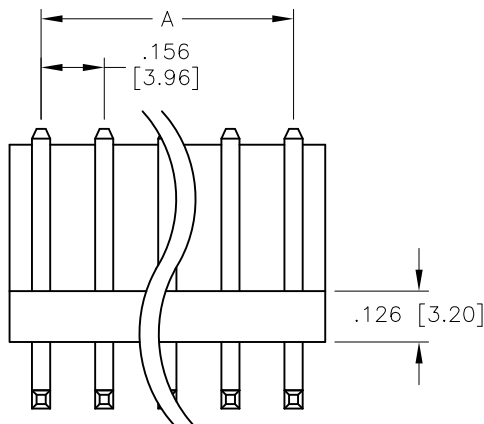
APPROVED: \_\_\_\_\_

DATE: \_\_\_\_\_ TITLE: \_\_\_\_\_

Rev	AWO #	Description	Date	Appr
-		RELEASED	4/12/05	
A		REVISED DIM.	2/11/09	
B		UPDATE spec.	10/24/18	AY/TY



RECOMMENDED PCB LAYOUT



**SPECIFICATIONS:**

Material:  
 Insulator: Nylon 66, rated UL 94V-2  
 Insulator color: White  
 Contacts: Brass  
 Plating:  
 Tin over Copper underplate overall  
 Electrical:  
 Voltage rating: 250V AC/DC  
 Current rating: 5 A AC/DC  
 Insulation resistance: 1,000 Mohms min  
 Dielectric withstanding voltage: 1,500 VAC for 1 minute

Temperature Rating:  
 -25°C to +85°C

Environmental:  
 Lead free, RoHS compliant



Positions: 2 thru 20

A = .156 [3.96] x No. of (Positions - 1)

B = .156 [3.96] x No. of positions

UNLESS OTHERWISE SPECIFIED ALL DIMENSIONS ARE INCHES [MM] TOLERANCES: EXCEPT AS NOTED INCHES HOLES .X ± .10 Ø.X ± .10 .XX ± .020 Ø.XX ± .015 .XXX ± .015 Ø.XXX ± .010		<b>ADAM TECH</b> INTERCONNECTS		909 Rahway Avenue, Union, NJ 07083 Phone: 908-687-5000 Fax: 908-687-5710	
APPROVALS DRAWN SS CHECKED APPROVED		DATE 4/12/05		TITLE .156 [3.96] POWER HEADER RIGHT ANGLE, WITH LOCK POLARIZER	
SIZE X		PART NO. LHB-XX-SB1		REV. B	
REF: S00016T		SCALE: NTS		SHEET 1 OF 1	

6

5

4

3

2

1