

West Bridge® Antioch™ USB/Mass Storage Peripheral Controller

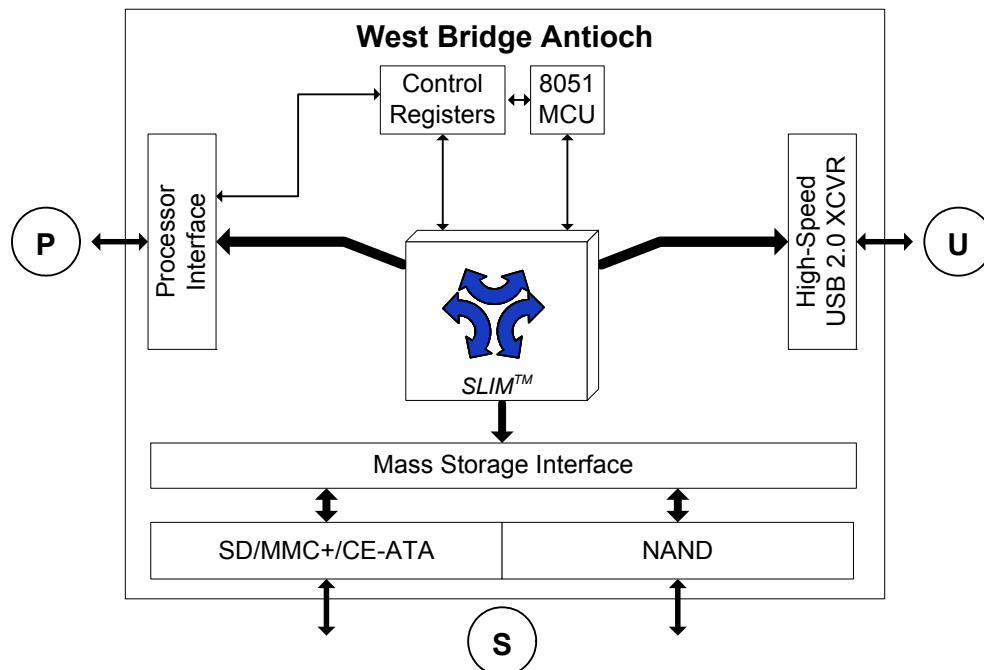
Features

- SLIM™ architecture, enabling simultaneous and independent data paths between processor and USB, and between USB and mass storage
- High speed USB at 480 Mbps
 - USB-2.0 compliant
 - Integrated USB 2.0 transceiver, smart serial interface engine
 - 16 programmable endpoints
- Mass storage device support
 - MMC/MMC+/SD/CE-ATA
 - NAND flash: × 8 or × 16, SLC
 - Full NAND management (ECC, wear leveling)
- Memory mapped interface to main processor
- DMA slave support
- Supports Microsoft® media transfer protocol (MTP) with optimized data throughput
- Ultra low power, 1.8 V core operation
- Low power modes
- Small footprint, 6 × 6 mm VFBGA, and less than 4 × 4 mm WLCSP
- Selectable clock input frequencies
 - 19.2 MHz, 24 MHz, 26 MHz, and 48 MHz

Applications

- Cellular phones
- Portable media players
- Personal digital assistants
- Digital cameras
- Portable video recorder

Logic Block Diagram



Contents

Functional Overview	3	AC Characteristics	15
SLIM™ Architecture	3	USB Transceiver	15
Turbo-MTP Support	3	P-Port Interface	15
8051 Microprocessor	3	SD/MMC Parameters	22
Configuration and Status Registers	3	Reset and Standby Timing Parameters	23
Processor Interface (P-port)	3	Ordering Information	24
USB Interface (U-Port)	3	Ordering Code Definitions	24
Mass Storage Support (S-Port)	3	Package Diagrams	25
Clocking	4	Acronyms	27
Power Domains	5	Document Conventions	27
Power Modes	5	Units of Measure	27
Antioch in WLCSP	6	Document History Page	28
Absolute Maximum Ratings	12	Sales, Solutions, and Legal Information	31
Operating Conditions	12	Worldwide Sales and Design Support	31
DC Characteristics	12	Products	31
USB Transceiver	14	PSoC@Solutions	31
Capacitance	14	Cypress Developer Community	31
AC Test Loads and Waveforms	14	Technical Support	31

Functional Overview

SLIM™ Architecture

The Simultaneous Link to Independent Multimedia (SLIM) architecture allows three different interfaces (the P-port, the S-port, and the U-port) to connect to one another independently.

With this architecture, using Antioch™ to connect a device to a PC through an USB does not disturb the functions of the device. It still accesses mass storage at the same time the PC is synchronizing with the main processor.

The SLIM architecture enables new usage models, in which a PC accesses a mass storage device independent of the main processor, or enumerates access to both the mass storage and the main processor at the same time.

In a handset, this typically enables the user to use the phone as a thumb drive or download media files to the phone while still having full functionality available on the phone. The same phone even functions as a modem to connect the PC to the web.

Turbo-MTP Support

Turbo-MTP is an implementation of Microsoft's Media Transfer Protocol (MTP) enabled by West Bridge® Antioch™. In the current generation of MTP-enabled mobile phones, all protocol packets need to be handled by the main processor. West Bridge Turbo-MTP switches these packet types and sends only control packets to the processor, while data payloads are written directly to mass storage. This brings the high performance of West Bridge to MTP. For more information on Turbo-MTP, refer to the application note AN48864 "Performance Optimization by West Bridge Controllers with Turbo-MTP".

8051 Microprocessor

The 8051 microprocessor embedded in Antioch does basic transaction management for all the transactions between the P-port, the S-port, and the U-port. The 8051 does not reside in the data path; it manages the path. The data path is optimized for performance. The 8051 executes firmware that supports NAND, SD, and MMC devices at the S-port. For the NAND device, the 8051 firmware follows the Smart Media algorithm to support:

- Physical to Logical Management
- ECC Correction
- Wear Leveling
- NAND Flash Bad Block Handling

Configuration and Status Registers

The West Bridge Antioch device includes Configuration and Status registers that are accessible as memory mapped registers through the processor interface. The Configuration registers allow the system to specify certain behavior from Antioch. For example, it masks certain Status registers from raising an interrupt. The Status registers convey the status of different parameters of Antioch, such as the addresses of buffers for read operations.

Processor Interface (P-port)

Communication with the external processor is realized through a dedicated processor interface. This interface supports both synchronous and asynchronous SRAM mapped memory accesses. This ensures straightforward electrical communications with the processor that also has other devices connected on a shared memory bus. Asynchronous accesses reach a bandwidth of up to 66.7 MBps. Synchronous accesses are performed at 33 MHz across 16 bits for up to 66.7 MBps bandwidth.

The memory address is decoded to access any of the multiple endpoint buffers inside Antioch. These endpoints serve as buffers for data between each pair of ports, for example, between the processor port and the USB port. The processor writes and reads into these buffers through the memory interface.

Access to these buffers is controlled by using either a DMA protocol or an interrupt to the main processor. These two modes are configured by the external processor.

As a DMA slave, Antioch generates a DMA request signal to signify to the main processor that it is ready to read from or write to a specific buffer. The external processor monitors this signal and polls Antioch for the specific buffers ready for read or write. It then performs the appropriate read or write operations on the buffer through the processor interface. This way, the external processor only deals with the buffers to access a multitude of storage devices connected to Antioch.

In the Interrupt mode, Antioch communicates important buffer status changes to the external processor using an interrupt signal. The external processor then polls Antioch for the specific buffers ready for read or write and performs the appropriate read or write operations through the processor interface.

USB Interface (U-Port)

In accordance with the USB 2.0 specification, Antioch operates in Full Speed USB mode in addition to High Speed USB mode. The USB interface consists of the USB transceiver. The USB interface accesses and also is accessed by both the P-port and the S-port.

The Antioch USB interface supports programmable CONTROL/BULK/INTERRUPT/ISOCRONOUS endpoints.

Mass Storage Support (S-Port)

The S-port is configured in two different modes, either simultaneously supporting an SD/MMC+ port and a × 8 NAND port or supporting a unique × 16 NAND access port. The NANDCFG Ball is used to set the configuration of the S-port as either 16-bit NAND or 8-bit NAND and SD/MMC. The 16-bit interface is only used when there is no other mass storage device connected to the S-port. Note that in the WLCSP option, the S-port is not configurable; it only supports a single SD/MMC+ port with no NAND port.

Antioch also includes two chip enables, NAND_CE# and NAND_CE2#, that enable to access two different NANDs alternately.

NAND Port (S-Port)

Antioch, as part of its mass storage management functions, fully manages a NAND device. The embedded 8051 manages the actual reading and writing of the NAND along with its required protocols. It performs standard NAND management functions such as ECC and wear leveling.

SLC NAND devices are supported on all devices in the Antioch family. The write performance for connecting to a single SLC NAND is up to 9 MBps, while read performance is up to 13 MBps.

SD/MMC/CE-ATA Port (S-Port)

When Antioch is configured through NANDCFG to support MMC/SD/CE-ATA, this interface supports:

- The MultiMediaCard System Specification, MMCA Technical Committee, Version 4.1
- SD Memory Card Specification - Part 1, Physical Layer Specification, SD Group, Version 1.10, October 15, 2004, and Version 2.0, November 9, 2005
- CE-ATA Digital Protocol, Rev 1.1, 28 September, 2005 and CE-ATA Host Design Guidance, Rev 1.0, 29 September, 2005

West Bridge Antioch provides support for 1-bit and 4-bit SD cards: 1-bit, 4-bit, and 8-bit MMC, and MMC+. For the SD, MMC/MMC Plus card, this block supports one card for one physical bus interface.

Antioch supports SD commands including the multisector program command that is handled by the API.

Compatibility with specific CE-ATA HDD is subject to confirmation with drive vendors.

Clocking

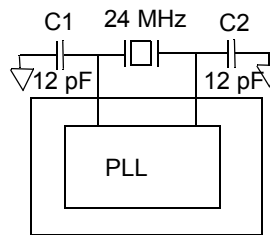
Antioch allows either to connect a crystal between the XTALIN and XTALOUT balls or connect an external clock at the XTALIN ball. The power supply level at the crystal supply XVDDQ determines whether a crystal or a clock is provided. If XVDDQ is detected as 1.8 V, Antioch assumes that a clock input is provided. This clock input must be a 1.8 V square wave. To connect a crystal, XVDDQ must be 3.3 V. Note that the clock inputs at 3.3 V level are not supported.

CYWB0124AB supports crystals only at 19.2, 24, and 26 MHz. At 48 MHz, only clock inputs are supported. Clock inputs are supported at all frequencies.

Antioch has an on-chip oscillator circuit that uses an external 19.2/24/26 MHz (± 150 ppm) crystal with the following characteristics:

- Parallel resonant
- Fundamental mode
- 1 mW drive level
- 12 pF (5% tolerance) load capacitors ^[1]

Figure 1. Capacitor



12 pF capacitor values assumes a trace capacitance of 3 pF per side on a four-layer FR4 PCA

Table 1. External Clock Requirements

Parameter	Description	Specification		Unit
		Min	Max	
PN_100Hz	Input Phase Noise at 100 Hz Offset	-	-75	dBc/Hz
PN_1k	Input Phase Noise at 1 kHz Offset	-	-104	dBc/Hz
PN_10k	Input Phase Noise at 10 kHz Offset	-	-120	dBc/Hz
PN_100k	Input Phase Noise at 100 kHz Offset	-	-128	dBc/Hz
PN_1M	Input Phase Noise at 1 MHz Offset	-	-130	dBc/Hz
	Duty Cycle	30	70	%
	Maximum Frequency Deviation	-	150	ppm
	Overshoot	-	3	%
	Undershoot	-	-3	%

Note

1. Specified as typical for 24 MHz frequency. Load capacitance varies with crystal vendor specifications and frequency used.

This on-chip PLL multiplies the 19.2/24/26/48 MHz frequency up to 480 MHz, as required by the transceiver/PHY. The internal counters divide it down for use as the 8051 clock. The 8051 clock frequency is 48 MHz. The XTALIN frequency is independent of the clock/data rate of the 8051 microprocessor or any of the device interfaces (including P-port and S-port). The internal PLL applies the proper clock multiply option depending on the input frequency.

For applications that use an external clock source to drive XTALIN, the XTALOUT Ball is left floating. The external clock is a square wave that conforms to high and low voltage levels mentioned in [Table 3 on page 12](#) and the rise and fall time specifications in [Figure 5 on page 14](#). The external clock source also stops high or low and is not toggling to achieve the lowest possible current consumption. The requirements for an external clock source are shown in [Capacitance on page 14](#).

Power Domains

Antioch has multiple power domains that serve different purposes within the chip.

***VDDQ.** This refers to a group of five independent supply domains for the digital I/Os. The nominal voltage level on these supplies are 1.8 V, 2.5 V, or 3.3 V. Specifically, the four separate I/O power domains are:

- PVDDQ – P-port processor interface I/O
- SNVDDQ – S-port NAND interface I/O
- SSVDDQ – S-port SD interface I/O
- GVDDQ – Other miscellaneous I/O

UVDDQ. This is the 3.3 V nominal supply for the USB I/O and some analog circuits. It also supplies power to the USB transceiver.

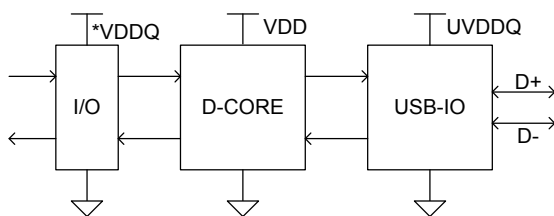
VDD33. This supply is required for the power sequence control circuits. For more information, see [Table 2 on page 7](#).

VDD. This is the supply voltage for the logic core. The nominal supply voltage level is 1.8 V. This supplies the core logic circuits. The same supply is also used for AVDDQ.

AVDDQ. This is the 1.8 V supply for PLL and USB serializer analog components. The same supply is also used for VDD. Maximum permitted noise on AVDDQ is 20 mV p-p.

XVDDQ. This is the clock I/O supply. 3.3 V for XTAL or 1.8 V for an external clock.

Figure 2. Antioch Power Supply Domains



Noise guideline for all supplies except AVDDQ is a maximum of 100 mV p-p. All I/O supplies of Antioch are ON when a system is active, even if Antioch is not used. The core VDD is also deactivated at any time to preserve power, provided that there is a minimum impedance of 1 kΩ between the VDD Ball and ground. All I/Os tri-state when the core is disabled.

Power Supply Sequence

The power supplies are independently sequenced without damaging the part. All power supplies are up and stable before the device operates. If all supplies are not stable, the remaining domains are in low power (standby) mode.

Flexible I/Os

Each of Antioch's ports operate between 1.8 V and 3.3 V with adjustable slew rate for each port and adjustable drive strength for each port for the I/Os. The slew rate and drive strength are controlled by registers.

Power Modes

In addition to the normal operating mode, Antioch contains several low power modes when normal operation is not required.

Normal Mode

In this mode, Antioch is fully functional. This is the mode in which the data transfer functions described in this datasheet are performed.

Suspend Mode

This mode is entered internally by 8051 (external processor only initiates entry into this mode through Mailbox commands). This mode is exited by the D+ bus going low, GPIO[0] going to a predetermined state, or by asserting CE# LOW.

In Suspend mode of Antioch:

- The clocks are shut off.
- All I/Os maintain their previous state.
- Core power supply are retained.
- The states of the Configuration registers, endpoint buffers, and the program RAM are maintained. All transactions are completed before Antioch enters Suspend mode (state of outstanding transactions are not preserved).
- The firmware resumes its operation from where it has suspended, because the program counter is not reset.
- The only inputs that are sensed are RESET#, GPIO[0], D+, and CE#. The last three are wakeup sources (each is individually enabled or disabled).
- Hard reset is performed by asserting the RESET# input and Antioch performs initialization.

Standby Mode

Standby mode is a low power state. This is the lowest power mode of Antioch while still maintaining external supply levels. This mode is entered through the deassertion of the WAKEUP input ball or through internal register settings. It is exited by asserting the WAKEUP Ball if the mode is entered by deasserting the WAKEUP Ball. Exiting Standby mode is also accomplished by asserting CE# LOW or processor writes to Internal registers.

In this mode, the following characteristics apply:

- All Configuration register settings and program RAM contents are preserved. However, data in the buffers or other parts of the data path, if any, is not guaranteed in values. Therefore, the external processor ensures that the required data is read before Antioch is moved into this Standby mode.
 - The program counter is reset upon waking up from Standby mode.
 - All outputs are tri-stated (except UVALID), and I/O is placed in input only configuration. Values of I/Os in Standby mode are listed in the [Table 2 on page 7](#).
 - Core power supply is retained.
 - Hard reset is performed by asserting the RESET# input, and Antioch performs initialization.
 - PLL is disabled.

Core Power Down Mode

The core power supply V_{DD} is powered down in this mode. AVDDQ is tied to the same supply as V_{DD} and as a result, is also powered down. The endpoint buffers, configuration registers, and the program RAM do not maintain state. It is necessary to reload the firmware upon exiting from this mode. It is required that all VDDQ power supplies (except AVDDQ) are on and not powered down in this mode. VDD33 must remain ON and the

requirement of a minimum impedance of 1 k Ω between the V_{DD} ball and ground remains unchanged.

In the WLCSP option, AVDDQ is internally tied to XVDDQ. As a result, the clock input at XTALIN must be brought to a steady LOW level before entry into Core Power Down mode.

Antioch in WLCSP

Antioch is available in a Wafer Level Chip Scale Package (WLCSP) with 81 balls. The WLCSP differs from the VFBGA in the following ways:

- The XTALIN input only accepts clock inputs and no crystals. The XTALOUT ball and the XVDDQ power domain do not exist in this package. The XVDDQ power domain is internally combined with AVDDQ.
- Since AVDDQ and as a result, XVDDQ, are OFF in the Core Power Down mode, the clock input at XTALIN must be brought to a steady LOW level before entry into Core Power Down mode.
- NAND functionality is not available. SNVDDQ does not exist as a separate power domain. It is internally combined with SSVDDQ.
- The P-port CLK ball and the P-port synchronous mode operation are not available. The P-port is operated only in asynchronous mode.
- GVDDQ is not a separate power domain in the WLCSP package. It is internally combined with PVDDQ.
- Availability of specific signals on the WLCSP option is detailed in [Table 2 on page 7](#).

The Ball Assignment table for CYWB0124AB, CYWB0125AB follows.

Table 2. Ball Assignment [2, 3, 4]

	VFBGA	WLCSP	Ball Name	I/O	Ball Description	Standby	Reset ^[5]	Power Domain
P Port	J2	N/A	CLK	I	Clock for P-port	-	-	PVDDQ VGND
	G1	G8	CE#	I	Chip Select for P-port. Active LOW	-	-	
	H3	J6	A[7]	I	Bit 7 of Address Bus for P-port	-	-	
	H2	J7	A[6]	I	Bit 6 of Address Bus for P-port	-	-	
	H1	J8	A[5]	I	Bit 5 of Address Bus for P-port	-	-	
	J3	H6	A[4]	I	Bit 4 of Address Bus for P-port	-	-	
	J1	H7	A[3]	I	Bit 3 of Address Bus for P-port	-	-	
	K3	J9	A[2]	I	Bit 2 of Address Bus for P-port	-	-	
	K2	H8	A[1]	I	Bit 1 of Address Bus for P-port	-	-	
	K1	H9	A[0]	I	Bit 0 of Address Bus for P-port	-	-	
	G2	G9	DQ[15]	I/O	Bit 15 of Data Bus for P-port	Z	Z	
	G3	G7	DQ[14]	I/O	Bit 14 of Data Bus for P-port	Z	Z	
	F1	F8	DQ[13]	I/O	Bit 13 of Data Bus for P-port	Z	Z	
	F2	F9	DQ[12]	I/O	Bit 12 of Data Bus for P-port	Z	Z	
	F3	F7	DQ[11]	I/O	Bit 11 of Data Bus for P-port	Z	Z	
	E1	E9	DQ[10]	I/O	Bit 10 of Data Bus for P-port	Z	Z	
	E2	E8	DQ[9]	I/O	Bit 9 of Data Bus for P-port	Z	Z	
	E3	E7	DQ[8]	I/O	Bit 8 of Data Bus for P-port	Z	Z	
	D1	D9	DQ[7]	I/O	Bit 7 of Data Bus for P-port	Z	Z	
	D2	D8	DQ[6]	I/O	Bit 6 of Data Bus for P-port	Z	Z	
	D3	D7	DQ[5]	I/O	Bit 5 of Data Bus for P-port	Z	Z	
	C1	C9	DQ[4]	I/O	Bit 4 of Data Bus for P-port	Z	Z	
	C2	C8	DQ[3]	I/O	Bit 3 of Data Bus for P-port	Z	Z	
	C3	C7	DQ[2]	I/O	Bit 2 of Data Bus for P-port	Z	Z	
	B1	B9	DQ[1]	I/O	Bit 1 of Data Bus for P-port	Z	Z	
	B2	B8	DQ[0]	I/O	Bit 0 of Data Bus for P-port	Z	Z	
	A1	A9	ADV#	I	Address Valid for P-port. Valid during asynchronous mode. ADV# deassertion causes to latch the address.	-	-	
	B3	A8	OE#	I	Output Enable. Controls the data bus output drive. Ignored during write cycle. Active LOW.	-	-	
	A2	B7	WE#	I	Write Enable. Signals a read (HIGH) or write (LOW) access cycle.	-	-	
	A3	A7	INT#	O	Interrupt Request. Assertion indicates that an interrupt event has occurred. Active LOW.	Z	Z	
	A4	C6	DRQ#	O	DMA Request. Assertion indicates to Processor that it is ready to read or write one or more endpoints. It reflects register CY_AN_MEM_P0_DRQ EPnDRQ assertions. Active LOW or HIGH (programmable).	Z	Z	
	B4	C5	DACK#	I	DMA Acknowledgement. Assertion indicates DMA acknowledgement from processor. Is configured in ACK mode (asserted throughout DMA transfer) or EOB mode (pulsed at end of DMA transfer). Active LOW or HIGH (programmable).	-	-	

Notes

- Unused inputs: Must be connected to HIGH/V_{DD} or LOW/GND (negligible difference in current drawn) logic level, through a single 10 K pull-up resistor. The only exceptions are WAKEUP, NANDCFG and CLK. WAKEUP is tied HIGH for normal operation and NANDCFG is tied LOW for unused NAND with SD or tied HIGH for 16-bit NAND with no SD. CLK is tied LOW for asynchronous P-port operation.
- Unused I/Os: For lowest leakage, unused I/Os must be connected to a HIGH logic level. It is recommended that connection to the power supply is through a single 10k ohm pull-up resistor for all unused I/Os.
- No Antioch balls have internal pull-up or pull-down resistors. Input/output balls may require external pull-up or pull-down resistors depending on the application. The pull-up resistors used to indicate speed capability on the USB are included in Antioch and need not be connected externally.
- The Reset column indicates the state of signals during reset (RESET# asserted). The Standby column indicates signal state during Standby (low power operating mode through WAKEUP deassertion) or core V_{DD} deactivation.

Table 2. Ball Assignment [2, 3, 4] (continued)

	VFBGA	WLCSP	Ball Name		I/O	Ball Description	Standby	Reset ^[5]	Power Domain
S Port			SD and 8-bit NAND Configuration	16-bit NAND Configuration					
	G9	H2	SD_D[7]	NAND_IO[15]	I/O	Serve as SD_D[7] for SD port or NAND_IO[15] for NAND Upper I/O port depending on NANDCFG selection. NAND configuration is not available in WLCSP.	Z	Z	SSVDDQ VGND
	G10	H1	SD_D[6]	NAND_IO[14]	I/O	Serve as SD_D[6] for SD port or NAND_IO[14] for NAND Upper I/O port depending on NANDCFG selection. NAND configuration is not available in WLCSP.	Z	Z	
	F9	G3	SD_D[5]	NAND_IO[13]	I/O	Serve as SD_D[5] for SD port or NAND_IO[13] for NAND Upper I/O port depending on NANDCFG selection. NAND configuration is not available in WLCSP.	Z	Z	
	F10	G2	SD_D[4]	NAND_IO[12]	I/O	Serve as SD_D[4] for SD port or NAND_IO[12] for NAND Upper I/O port depending on NANDCFG selection. NAND configuration is not available in WLCSP.	Z	Z	
	E9	F2	SD_D[3]	NAND_IO[11]	I/O	Serve as SD_D[3] for SD port or NAND_IO[11] for NAND Upper I/O port depending on NANDCFG selection. NAND configuration is not available in WLCSP.	Z	Z	
	E10	E3	SD_D[2]	NAND_IO[10]	I/O	Serve as SD_D[2] for SD port or NAND_IO[10] for NAND Upper I/O port depending on NANDCFG selection. NAND configuration is not available in WLCSP.	Z	Z	
	D9	E2	SD_D[1]	NAND_IO[9]	I/O	Serve as SD_D[1] for SD port or NAND_IO[9] for NAND Upper I/O port depending on NANDCFG selection. NAND configuration is not available in WLCSP.	Z	Z	
	D10	E1	SD_D[0]	NAND_IO[8]	I/O	Serve as SD_D[0] for SD port or NAND_IO[8] for NAND Upper I/O port depending on NANDCFG selection. NAND configuration is not available in WLCSP.	Z	Z	
	F8	G1	SD_CLK	N/A	O	Clock output for the SD interface. Frequency is changed and clock is disabled through firmware control.	Z	Z	
	G8	H3	SD_CMD	N/A	I/O	SD Command/Response Ball.	Z	Z	
	H8	G4	SD_POW	N/A	O	SD Power Control. This GPIO is used to control SD/MMC card power FET if present. HIGH indicates on, LOW indicates off.	Z	Z	
	H10	D1	SD_WP	N/A	I	SD Write Protection Detection. Connected to GPIO for firmware detection. HIGH indicates that the device connected to the SD port has write protect enabled.	-	-	
	K7	N/A	NAND_IO[7]	NAND_IO[7]	I/O	NAND_IO[7] for NAND Upper I/O port	Z	Z	SNVDDQ VGND
	K8	N/A	NAND_IO[6]	NAND_IO[6]	I/O	NAND_IO[6] for NAND Upper I/O port			
	J8	N/A	NAND_IO[5]	NAND_IO[5]	I/O	NAND_IO[5] for NAND Upper I/O port			
	K9	N/A	NAND_IO[4]	NAND_IO[4]	I/O	NAND_IO[4] for NAND Upper I/O port			
	J9	N/A	NAND_IO[3]	NAND_IO[3]	I/O	NAND_IO[3] for NAND Upper I/O port			
	H9	N/A	NAND_IO[2]	NAND_IO[2]	I/O	NAND_IO[2] for NAND Upper I/O port			
	K10	N/A	NAND_IO[1]	NAND_IO[1]	I/O	NAND_IO[1] for NAND Upper I/O port			
J10	N/A	NAND_IO[0]	NAND_IO[0]	I/O	NAND_IO[0] for NAND Upper I/O port				
K6	N/A	NAND_CLE	NAND_CLE	O	NAND Command Latch Enable ^[6]	Z	Z		
J6	N/A	NAND_ALE	NAND_ALE	O	NAND Address Latch Enable ^[6]	Z	Z		
J5	N/A	NAND_CE#	NAND_CE#	O	NAND Chip Enable. Active LOW. ^[6]	Z	Z		
K4	N/A	NAND_RE#	NAND_RE#	O	NAND Read Enable. Active LOW.	Z	Z		
H6	N/A	NAND_WE#	NAND_WE#	O	NAND Write Enable. Active LOW.	Z	Z		
J7	N/A	NAND_WP#	NAND_WP#	O	NAND Write Protect. Active LOW. ^[6]	Z	Z		
J4	N/A	NAND_R/B#	NAND_R/B#	I	NAND Ready/Busy. NAND output is Open Drain. Active LOW.	-	-		
K5	N/A	NAND_CE2#	NAND_CE2#	O	NAND Chip Enable 2. Allows to access the second NAND device. Active LOW. ^[6]	Z	Z		

Note

6. The NAND_CE#, NAND_CE2#, NAND_WP#, NAND_CLE, and NAND_ALE pins are used as General Purpose Outputs if NAND functionality is not used.

Table 2. Ball Assignment [2, 3, 4] (continued)

	VFBGA	WLCSP	Ball Name	I/O	Ball Description	Standby	Reset ^[5]	Power Domain
U-port	A5	A4	D+	I/O/Z	USB D+	Z	Z	UVDDQ UVSSQ
	A6	A5	D-	I/O/Z	USB D-	Z	Z	
	A7	B4	UVALID	O	External USB Switch Control. Reflects value of register CY_AN_MEM_PMU_UPDATE.UVALID.	Low	Low	
Others	A8	A2	XTALIN	I	Input for either crystal or clock signal. XVDDQ is 3.3 V for crystal input; XVDDQ is 1.8 V for clock input.	-	-	XVDDQ VGND
	B8	N/A	XTALOUT ^[7]	O	Output to connect to feedback input of crystal. Is left floating when external clock at XTALIN.	Z	Z	
	C10	C2	RESET#	I	Reset. Asserted to place Antioch into reset mode and subsequent initialization. Active LOW.	-	-	GVDDQ VGND
	B10	N/A	RESETOUT	O	Reset Out. Deasserted LOW when RESET# is asserted LOW. Asserted HIGH after RESET# is deasserted and initialization is complete. Reflects value of RSTCMPT bit.	Z	Low	
	C9	D3	GPIO[1]	I/O	General purpose input/output.	Z	Z	
	D8	D2	GPIO[0]	I/O	General purpose input/output. GPIO[0] is used for SD Card Detect with firmware detection. LOW indicates card is inserted.	Z	Z	
	C7	C1	WAKEUP ^[8]	I	Wake Up Signal. 1 = normal operation, 0 = low power "sleep" mode. Is asserted for Antioch to initialize.	-	-	
Config	C5	C3	XTALSLC[1]	I	Clock Select. For CYWB0124AB, XTALSLC[1:0] is decoded as: 00 = 19.2 MHz, 01 = 24 MHz, 10 = 48 MHz, 11 = 26 MHz.	-	-	GVDDQ VGND
	C4	C4	XTALSLC[0]	i	Clock Select. For CYWB0124AB, XTALSLC[1:0] is decoded as: 00 = 19.2 MHz, 01 = 24 MHz, 10 = 48 MHz, 11 = 26 MHz.	-	-	
	C6	N/A	NANDCFG	I	S-port Configuration. '0' selects 8-bit NAND and SD/MMC configuration. '1' selects 16-bit NAND configuration.	-	-	
	E8	B1	TEST[2]	I	Test mode selection. Is tied to VGND for normal operation (CMOS level inputs).	-	-	
	C8	D4	TEST[1]	I	Test mode selection. Is tied to VGND for normal operation (CMOS level inputs).	-	-	
	D7	A1	TEST[0]	I	Test mode selection. Is tied to VGND for normal operation (CMOS level inputs).	-	-	
Power	D4, H4	E5, A6	PVDDQ	Power	Power for P-port I/O. 1.8 V, 2.5 V, or 3.3 V nominal.	-	-	
	H5	N/A	SNVDDQ	Power	Power for NAND port I/O. 1.8 V, 2.5 V, or 3.3 V nominal.	-	-	
	B5	B5	UVDDQ	Power	Power for USB I/O. 3.3 V nominal.	-	-	
	H7	F1, F3, F4, G5, H4, H5, J2, J3, J4, J5	SSVDDQ	Power	Power for SD port, is connected to SNVDDQ if using 16-bit NAND. 1.8 V, 2.5 V, or 3.3 V nominal.	-	-	
	D6	N/A	GVDDQ	Power	Power for miscellaneous I/O. 1.8 V, 2.5 V, or 3.3 V nominal.	-	-	
	B9	B3	AVDDQ	Power	Power for internal PLL and USB serializer. 1.8 V nominal.	-	-	
	B7	N/A	XVDDQ	Power	Power for crystal or clock I/O. 1.8 V (clock) or 3.3 V (crystal) nominal.	-	-	
	D5, G4, G5, G6, G7, F7	D6, F6, G6, J1	V _{DD}	Power	Power for core. 1.8 V nominal.	-	-	
	A10	N/A	VDD33 ^[9]	Power	Power sequence control supply. 3.3 V nominal.	-	-	
	B6	A3	UVSSQ	Power	Ground for all USB.	-	-	
	A9	B2	AVSSQ	Power	Ground for PLL.	-	-	
	E4, E5, E6, E7, F4, F5, F6	B6, D5, E4, E6, F5	VGND	Power	Ground for core.	-	-	

Notes

- XTALOUT is driven HIGH during Standby mode. XTALOUT operates the same during RESET# assertion and Normal mode: fixed HIGH when XVDDQ is 1.8 V (ext clock) and actively toggles when XVDDQ is 3.3 V (crystal).
- When RESET# is asserted, the device enters reset state and WAKEUP is ignored.
- VDD33: In CYWB0124AB, the Ball is no-connect internally. It handles power sequence control in future West Bridge products. When migrating to Astoria, it is connected to the highest supply to the device. If USB is used, for example, then VDD33 is connected to nominal 3.3 V (because 3.3 V is required for USB). VDD33 is always supplied in Astoria.

Figure 3. CYWB0124AB 100-ball VFBGA – Top View

Top View

	1	2	3	4	5	6	7	8	9	10	
A	ADV#	WE#	INT#	DRQ#	D+	D-	UVALID	XTALIN	AVSSQ	VDD33	A
B	DQ[1]	DQ[0]	OE#	DACK#	UVDDQ	UVSSQ	XVDDQ	XTALOUT	AVDDQ	RESETOUT	B
C	DQ[4]	DQ[3]	DQ[2]	XTALSCLC[0]	XTALSCLC[1]	NANDCFG	WAKEUP	TEST[1]	GPIO[1]	RESET#	C
D	DQ[7]	DQ[6]	DQ[5]	PVDDQ	VDD	GVDDQ	TEST[0]	GPIO[0]	SD_D[1]	SD_D[0]	D
E	DQ[10]	DQ[9]	DQ[8]	VGND	VGND	VGND	VGND	TEST[2]	SD_D[3]	SD_D[2]	E
F	DQ[13]	DQ[12]	DQ[11]	VGND	VGND	VGND	VDD	SD_CLK	SD_D[5]	SD_D[4]	F
G	CE#	DQ[15]	DQ[14]	VDD	VDD	VDD	VDD	SD_CMD	SD_D[7]	SD_D[6]	G
H	A[5]	A[6]	A[7]	PVDDQ	SNVDDQ	NAND_WE#	SSVDDQ	SD_POW	NAND_IO[2]	SD_WP	H
J	A[3]	CLK	A[4]	NAND_R/B#	NAND_CE#	NAND_ALE	NAND_WP#	NAND_IO[5]	NAND_IO[3]	NAND_IO[0]	J
K	A[0]	A[1]	A[2]	NAND_RE#	NAND_CE2#	NAND_CLE	NAND_IO[7]	NAND_IO[6]	NAND_IO[4]	NAND_IO[1]	K

POWER DOMAIN KEY	
	UVDDQ
	GVDDQ
	SSVDDQ
	VGND
	PVDDQ
	SNVDDQ

Figure 4. CYWB0124AB 81-ball WLCSP – Top View

	1	2	3	4	5	6	7	8	9	
A	TEST[0]	XTALIN	UVSSQ	D+	D-	PVDDQ	INT#	OE#	ADV#	A
B	TEST[2]	AVSSQ	AVDDQ	UVALID	UVDDQ	VGND	WE#	DQ[0]	DQ[1]	B
C	WAKEUP	RESET#	XTALSLC[1]	XTALSLC[0]	DACK#	DRQ#	DQ[2]	DQ[3]	DQ[4]	C
D	SD_WP	GPIO[0]	GPIO[1]	TEST[1]	VGND	VDD	DQ[5]	DQ[6]	DQ[7]	D
E	SD_D[0]	SD_D[1]	SD_D[2]	VGND	PVDDQ	VGND	DQ[8]	DQ[9]	DQ[10]	E
F	SSVDDQ	SD_D[3]	SSVDDQ	SSVDDQ	VGND	VDD	DQ[11]	DQ[13]	DQ[12]	F
G	SD_CLK	SD_D[4]	SD_D[5]	SD_POW	SSVDDQ	VDD	DQ[14]	CE#	DQ[15]	G
H	SD_D[6]	SD_D[7]	SD_CMD	SSVDDQ	SSVDDQ	A[4]	A[3]	A[1]	A[0]	H
J	VDD	SSVDDQ	SSVDDQ	SSVDDQ	SSVDDQ	A[7]	A[6]	A[5]	A[2]	J
	1	2	3	4	5	6	7	8	9	

POWER DOMAIN KEY	
	UVDDQ
	AVDDQ, VDD
	SSVDDQ
	VGND
	PVDDQ

Absolute Maximum Ratings

Operating range specifies temperature and voltage boundary conditions for safe operation of the device. Operation outside these boundaries may affect the performance and life of the device. These user guidelines are not tested.

Storage temperature -65 °C to +150 °C

Ambient temperature
with power supplied (Industrial) -40 °C to +85 °C

Supply voltage to ground potential
 V_{DD} , AV_{DDQ} -0.5 V to +2.0 V

GV_{DDQ} , PV_{DDQ} , SSV_{DDQ} , SNV_{DDQ} ,
 UV_{DDQ} and $VDD33$ and XV_{DDQ} -0.5 V to +4.0 V

DC input voltage to any input ball 1.89 V to 3.6 V
(Depends on I/O supply voltage. Inputs are not over voltage tolerant.)

DC voltage applied to outputs
in High Z State -0.5 V to $V_{DDQ}+0.5$ V

Static discharge voltage (ESD)
from JESD22-A114 > 2000 V

Latch-up current > 200 mA

Maximum output short circuit current
for all I/O configurations. ($V_{OUT} = 0$ V)^[10] -100 mA

Operating Conditions

T_A (Ambient temperature under bias)
Industrial -40 °C to +85 °C

V_{DD} , AV_{DDQ} supply voltage 1.7 V to 1.9 V

UV_{DDQ} supply voltage 3.0 V to 3.6 V

PV_{DDQ} , GV_{DDQ} , SNV_{DDQ} , SSV_{DDQ}
supply voltage 1.7 V to 3.6 V

XV_{DDQ} (Crystal I/O) supply voltage 3.0 V to 3.6 V

XV_{DDQ} (Ext. clock I/O) supply voltage 1.7 V to 1.9 V

DC Characteristics

Table 3. DC Specifications for All Voltage Supplies

Parameter	Description	Conditions	Min	Typ	Max	Unit
V_{DD}	Core voltage supply		1.7	1.8	1.9	V
AV_{DDQ}	Analog voltage supply		1.7	1.8	1.9	V
XV_{DDQ}	Crystal voltage supply		3.0	3.3	3.6	V
XV_{DDQ}	Clock voltage supply		1.7	1.8	1.9	V
PV_{DDQ} ^[11]	Processor interface I/O		1.7	1.8, 2.5, 3.3	3.6	V
GV_{DDQ} ^[11]	Miscellaneous I/O voltage supply		1.7	1.8, 2.5, 3.3	3.6	V
SNV_{DDQ} ^[11]	S-port NAND I/O voltage supply		1.7	1.8, 2.5, 3.3	3.6	V
SSV_{DDQ} ^[11, 12]	S-port SD I/O voltage supply		1.7	1.8, 2.5, 3.3	3.6	V
UV_{DDQ} ^[13]	USB voltage supply		3.0	3.3	3.6	V
$VDD33$	Power sequence control supply		3.0	3.3	3.6	V
V_{IH1} ^[14]	Input HIGH voltage 1	All ports except USB, $2.0\text{ V} \leq V_{CC} \leq 3.6\text{ V}$	$0.625 \times V_{CC}$	–	$V_{CC} + 0.3$	V
V_{IH2} ^[14]	Input HIGH voltage 2	All ports except USB, $1.7\text{ V} \leq V_{CC} < 2.0\text{ V}$	$V_{CC} - 0.4$	–	$V_{CC} + 0.3$	
V_{IL}	Input LOW voltage		-0.3	–	$0.25 \times V_{CC}$	V
V_{OH}	Output HIGH voltage	$I_{OH}(\text{MAX}) = -0.1\text{ mA}$	$0.9 \times V_{CC}$	–	–	V
V_{OL}	Output LOW voltage	$I_{OL}(\text{MIN}) = 0.1\text{ mA}$	–	–	$0.1 \times V_{CC}$	V
I_{IX}	Input leakage current	All I/O signals held at V_{DDQ}	-1	–	1	μA
I_{OZ}	Output leakage current	All I/O signals held at V_{DDQ}	-1	–	1	μA
I_{CC} Core	Operating current of core voltage supply (V_{DD}) and analog voltage supply (AV_{DDQ})	Outputs tri-stated				
			VFBGA	–	–	110
	WLCS	–	–	115		

Notes

- Do not test more than one output at a time. Duration of the short circuit does not exceed 1 second. Tested initially, and after any redesign or process changes, may affect these parameters.
- Interfaces with a voltage range are adjustable with respect to the I/O voltage and thus support multiple I/O voltages.
- The SSV_{DDQ} I/O voltage is dynamically changed (for example, from high range to low range) as long as the supply voltage undershoot does not surpass the lower minimum voltage limit. SSV_{DDQ} levels for SD modes: 2.0 V–3.6 V, MMC modes: 1.7 V–3.6 V.
- When U-port is in a disabled state, UV_{DDQ} goes down to 2.4 V, provided UV_{DDQ} is still the highest supply voltage level.
- V_{CC} = pertinent V_{DDQ} value.

Table 3. DC Specifications for All Voltage Supplies (continued)

Parameter	Description	Conditions	Min	Typ	Max	Unit	
I _{CC} Crystal	Operating current of crystal voltage supply (XVDDQ) ^[15]	XTALOUT floating	VFBGA	–	–	5	mA
			WLCSP	–	–	N/A	
I _{CC} USB	Operating current of USB voltage supply (UVDDQ) ^[15]	Operating and terminated for high speed mode	–	–	25	mA	
I _{SB1}	Total standby current of Antioch when device is in suspend mode	<ol style="list-style-type: none"> *VDDQ = 3.3 V Nominal (3.0–3.6 V) Outputs and Bidirs High or Floating^[16] XTALOUT Floating D+ Floating (no current drawn through internal 1.5 kohm pull-up), D– Grounded, UVALID Driven LOW Device in Suspend Mode 	–	250 ^[17]	2500	μA	
I _{SB2}	Total standby current of Antioch when device is in standby mode	<ol style="list-style-type: none"> *VDDQ = 3.3 V Nominal (3.0–3.6 V) Outputs and Bidirs High or Floating^[16] XTALOUT Floating D+ Floating, D– Grounded, UVALID Driven LOW 	25 °C	–	–	45	μA
			85 °C	–	–	290	
I _{SB3}	Total standby current of Antioch when device is in core power down mode	<ol style="list-style-type: none"> Outputs and Bidirs High or Floating^[16] XTALOUT Floating D+ Floating, D– Grounded, UVALID Driven LOW Core Powered Down 	25 °C	–	–	25	μA
			85 °C	–	–	139	

Notes

15. Active Current Conditions:

- UVDDQ: USB transmitting 50% of the time, receiving 50% of the time.
- PVDDQ/SNVDDQ/SSVDDQ/GVDDQ: Active Current Depends on I/O activity, bus load, and supply level.
- XVDDQ: Assume highest frequency clock (48 MHz) or crystal (26 MHz).

16. The Outputs/Bidirs that are forced low in Standby mode increases I/O supply standby current beyond specified value.

17. I_{SB1} typical value is not a maximum specification but a typical value. I_{SB1} maximum current value specified for 85 °C.

USB Transceiver

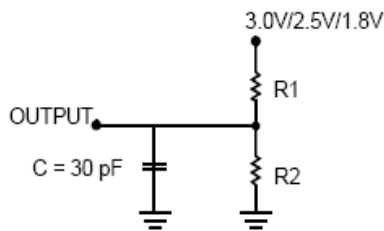
USB 2.0 compliant in full speed and high speed modes.

Capacitance

Parameter	Description	Conditions	Typ	Max	Unit
C _{IN}	Input ball capacitance, Except D+/D-	T _A = 25 °C, f = 1 MHz, V _{CC} = V _{CCIO}	–	9	pF
	Input ball capacitance, D+/D-		–	15	
C _{OUT}	Output ball capacitance		–	10	pF

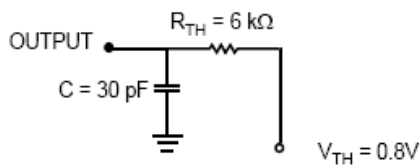
AC Test Loads and Waveforms

Figure 5. AC Test Loads and Waveforms

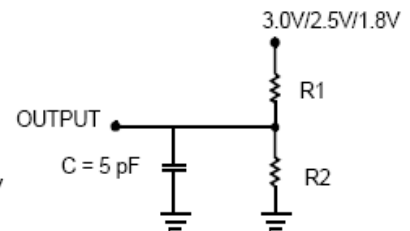
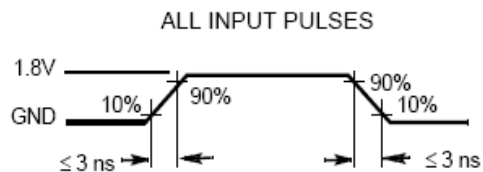


(a) Normal Load (Load 1)

	3.0V/2.5V/1.8V
R1	13500Ω
R2	10800Ω



(b) Thévenin Equivalent (Load 1)



(c) Three-State Delay (Load 2)

(Used for t_{LZ} , t_{HZ} , t_{HZWE} , and t_{LZWE} including scope and jig)

AC Characteristics

USB Transceiver

USB 2.0 compliant in full speed and high speed modes.

P-Port Interface

Asynchronous Mode Timing Parameters

Table 4. Asynchronous Mode Timing Parameters

Parameter	Description	Min	Max	Unit
Read Timing Parameters				
tAA	Address to data valid	–	30	ns
tOH	Data output hold from address change	3	–	ns
tEA	Chip enable to data valid	–	30	ns
tAADV	ADV# to data valid access time	–	30	ns
tAVS	Address valid to ADV# HIGH	5	–	ns
tAVH	ADV# HIGH to address hold	2 ^[18]	–	ns
tCVS	CE# low setup time to ADV# HIGH	5	–	ns
tVPH	ADV# HIGH time	15 ^[19]	–	ns
tVP	ADV# pulse width LOW	7.5	–	ns
tOE	OE# LOW to data valid	–	22.5	ns
tOLZ	OE# LOW to Low Z	3	–	ns
tOHZ	OE# HIGH to High Z	0	22.5	ns
tLZ	CE# LOW to Low Z	3	–	ns
tHZ	CE# HIGH to High Z	–	22.5	ns
Write Timing Parameters				
tCW	CE# LOW to write end	30	–	ns
tAW	Address valid to write end	30	–	ns
tAS	Address setup to write start	0	–	ns
tADVS	ADV# setup to write start	0	–	ns
tWP	WE# pulse width	22	–	ns
tWPH	WE# HIGH time	10	–	ns
tCPH	CE# HIGH time	10	–	ns
tAVS	Address valid to ADV# HIGH	5	–	ns
tAVH	ADV# HIGH to address hold	2 ^[18]	–	ns
tCVS	CE# LOW setup time to ADV# HIGH	5	–	ns
tVPH	ADV# HIGH time	15 ^[19]	–	ns
tVP	ADV# pulse width LOW	7.5	–	ns
tVS	ADV# LOW to end of write	30	–	ns
tDW	Data setup to write end	18	–	ns
tDH	Data hold from write end	0	–	ns
tWHZ	WE# low to DQ High Z output	–	22.5	ns
tWLZ	WE# high to DQ Low Z output	3	–	ns

Notes

18. In applications where back-to-back accesses are not performed on different endpoint addresses, the minimum t_{AVH} specification is relaxed to 0 ns.
19. In applications where access cycle time is at least 60 ns, t_{VPH} is relaxed to 12 ns.

Figure 6. Asynchronous Single Read Timing

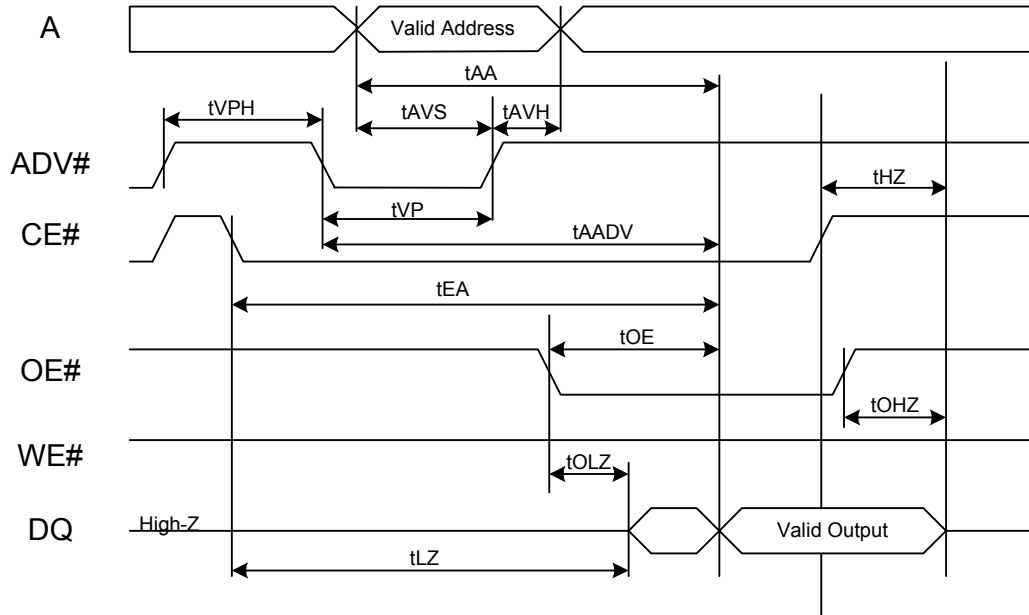


Figure 7. Asynchronous Back-to-Back Read Timing

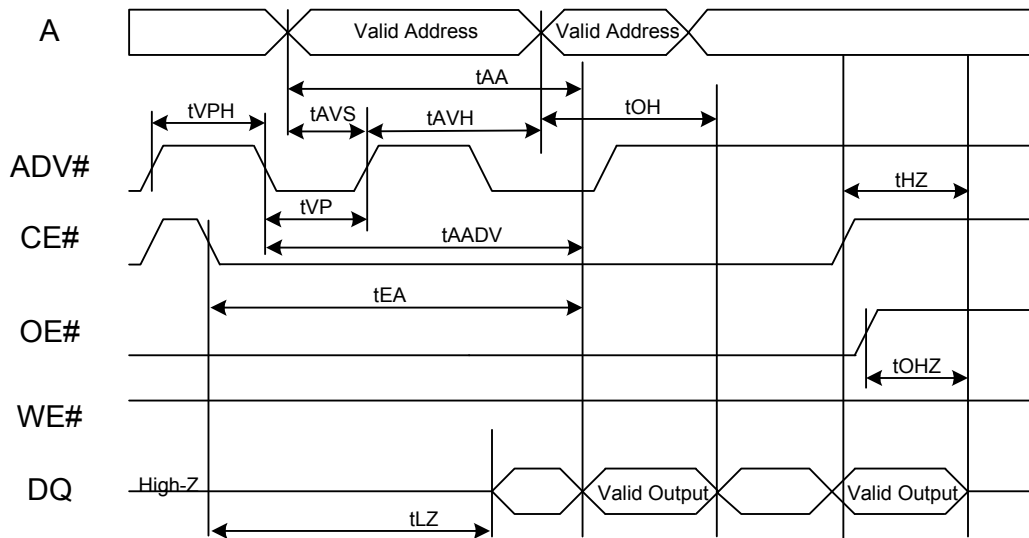


Figure 8. Asynchronous Back-to-Back Write Timing

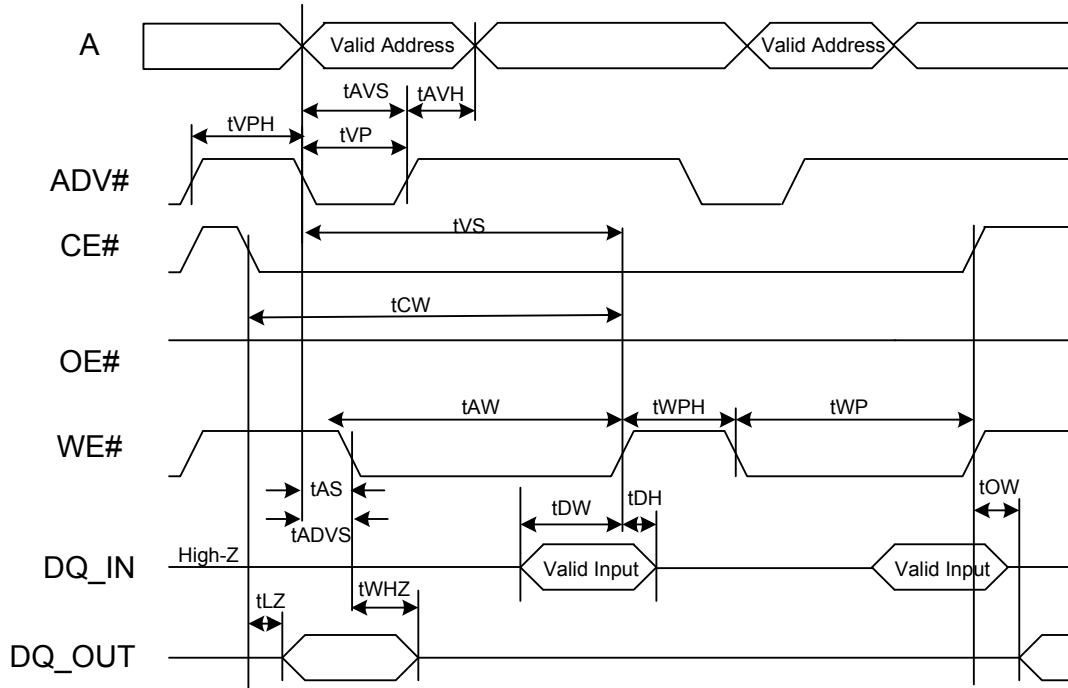


Figure 9. Asynchronous Read to Write Timing

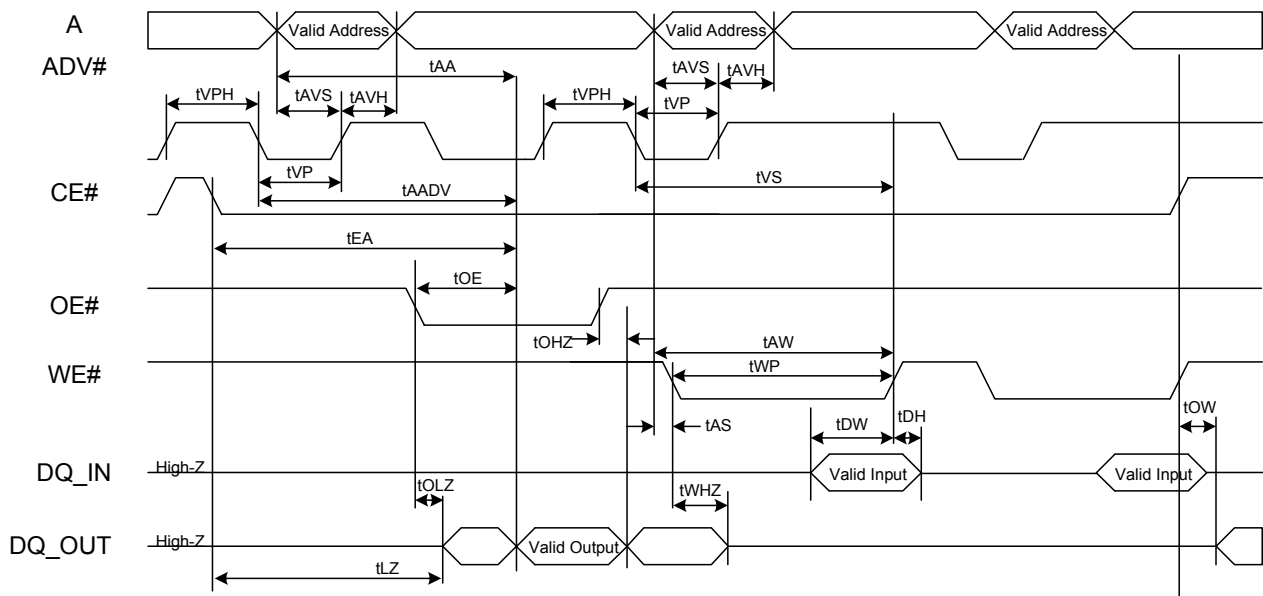
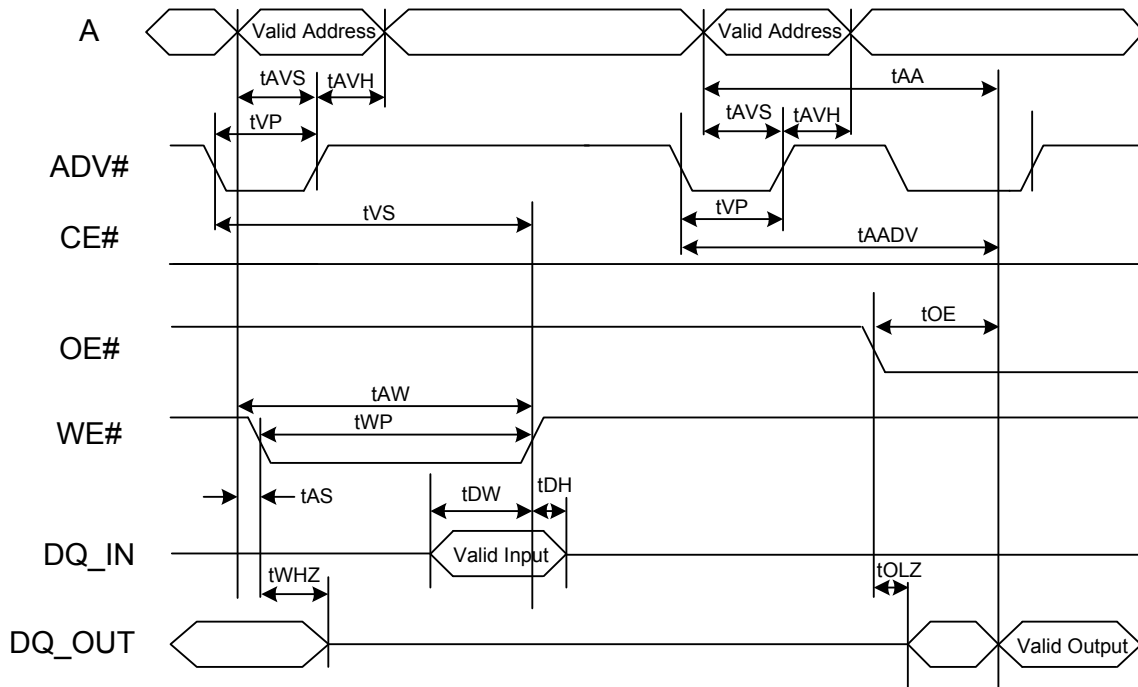


Figure 10. Asynchronous Write to Read Timing

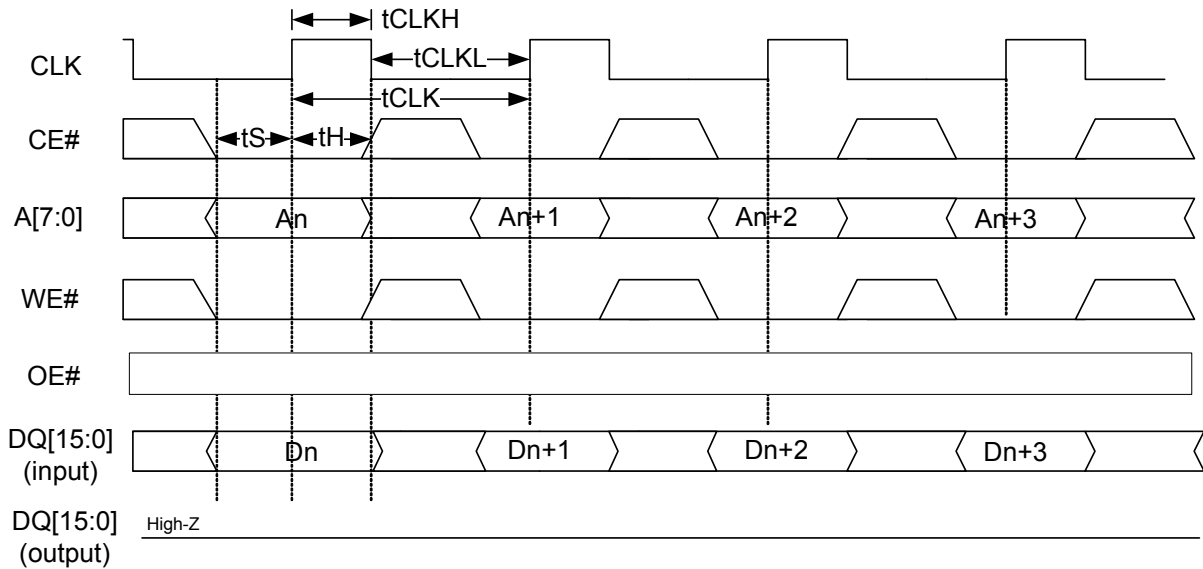


Synchronous Mode Timing Parameters

Table 5. Synchronous Mode Timing Parameters

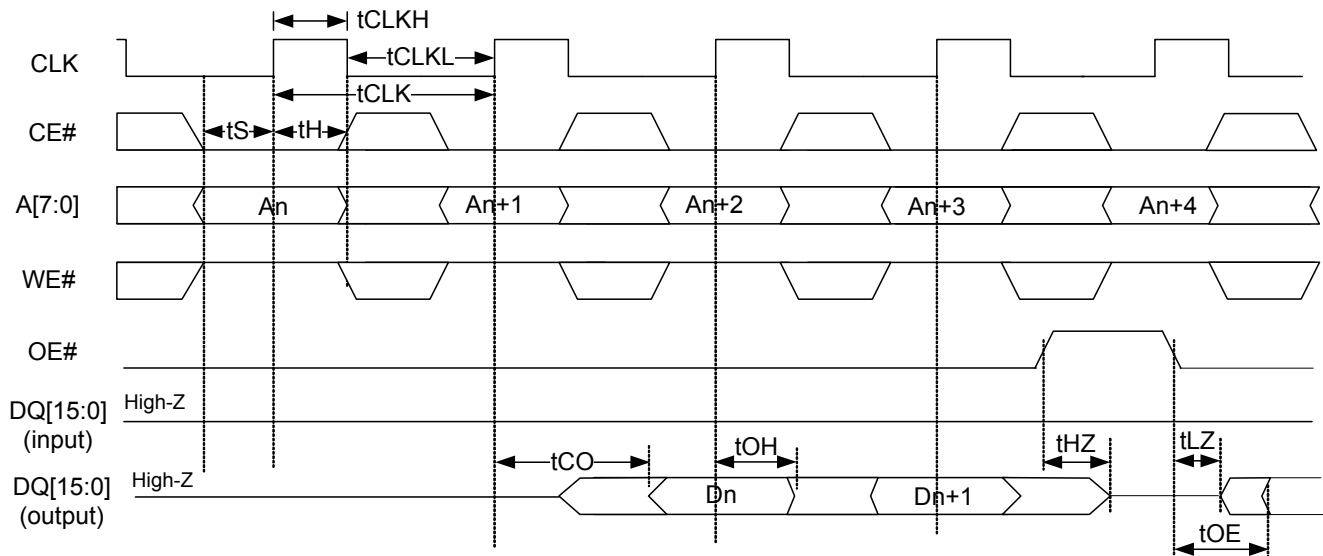
Parameter	Description	Conditions	Min	Max	Unit
FREQ	Interface Clock Frequency		–	33	MHz
tCLK	Clock Period		30	–	ns
tCLKH	Clock HIGH Time		12	–	ns
tCLKL	Clock LOW Time		12	–	ns
tS	CE#/WE#/ADDR/DQ Setup Time		7.5	–	ns
tH	CE#/WE#/ADDR/DQ Hold Time		1.5	–	ns
tCO	Clock to Valid Data		–	18	ns
tOH	Clock to Data Hold Time		2	–	ns
tHZ	OE# HIGH to Data High Z		–	22.5	ns
tLZ	OE# LOW to Data Low Z		3	–	ns
tOE	OE# LOW to Data Valid		–	22.5	ns
tWHZ	WE# Low to DQ High Z Output		–	22.5	ns
tWLZ	WE# High to DQ Low Z Output		3	–	ns
tCKHZ	Clock to Data High Z (Figure 14 on page 20)	Measured from the rising edge of the second clock after the deassertion of CE# is latched by the rising edge of the clock.	–	18	ns
tCKLZ	Clock to Data Low Z (Figure 16 on page 21)		3	–	ns

Figure 11. Synchronous Write Timing



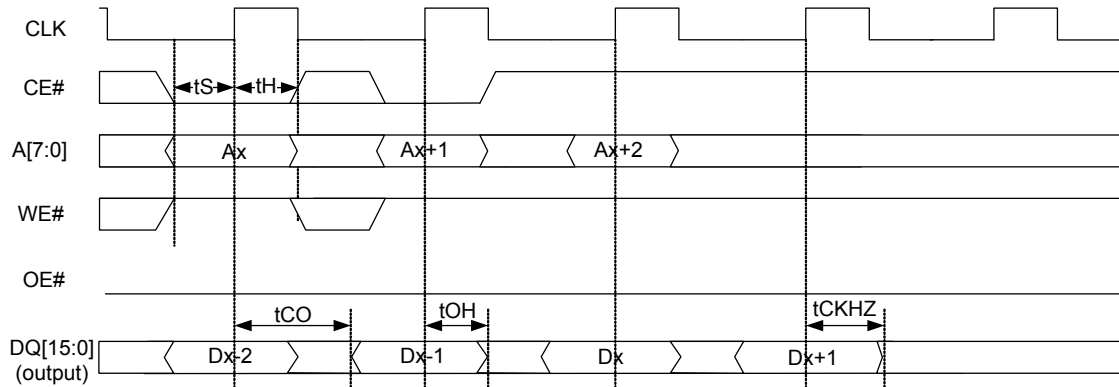
Note:
 - Assumes previous cycle had CE# deselected
 - OE# is don't care during write operations

Figure 12. Synchronous Read Timing



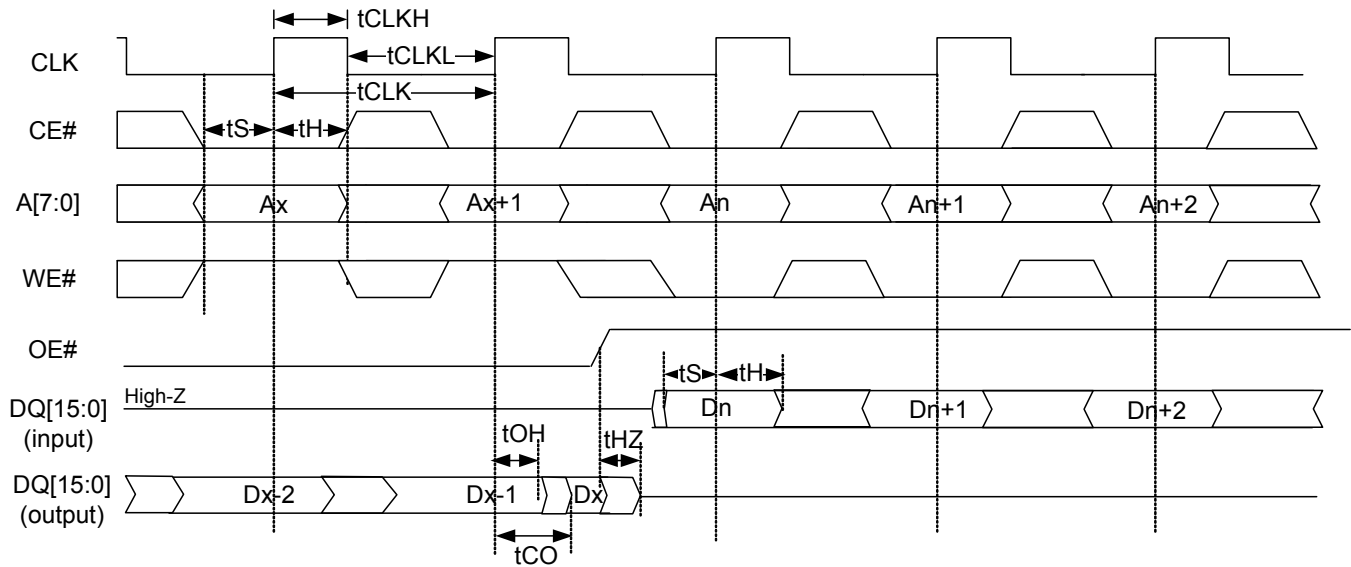
Note:
 - Assumes previous cycle had CE# deselected

Figure 13. Synchronous Read (OE# Fixed LOW) Timing



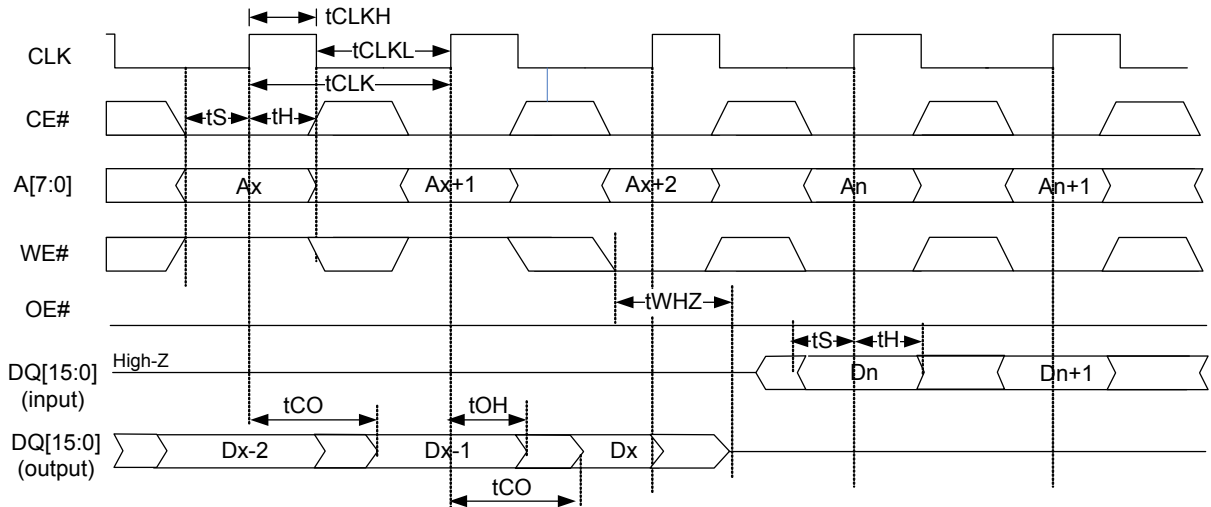
Note:
- Assumes previous several cycles were Read

Figure 14. Synchronous Read to Write (OE# Controlled) Timing



Note:
- Assumes previous several cycles were Read
- (Ax) and (Ax+1) cycles are turnaround. (Ax+1) operation does not cross pipeline.

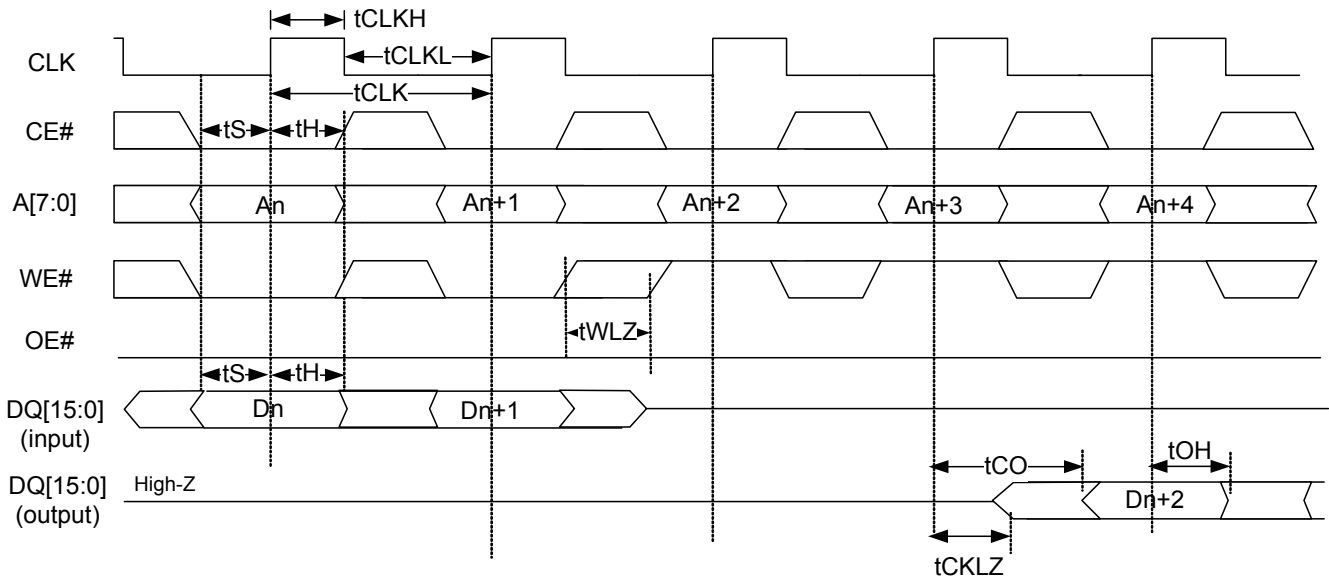
Figure 15. Synchronous Read to Write (OE# Fixed LOW) Timing



Note:

- Assumes previous several cycles were Read
- In this scenario, OE# is held LOW
- (Ax) and (Ax+1) cycles are turnaround. (Ax+1) operation does not cross pipeline.
- No operation is performed during the Ax+2 cycle (true turnaround operation)

Figure 16. Synchronous Write to Read Timing



Note:

- Assumes previous cycle has CE# deselected
- In this scenario, OE# is held LOW

SD/MMC Parameters

Figure 17. SD/MMC Timing Waveform - All Modes

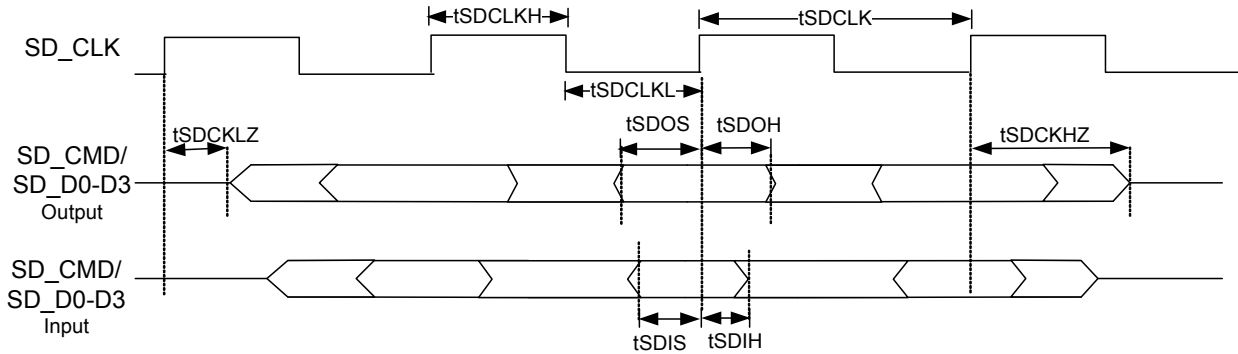


Table 6. Common Timing Parameters for SD and MMC – During Identification Mode

Parameter	Description	Min	Max	Unit
SDFREQ	SD_CLK interface clock frequency	–	400	kHz
t_{SDCLK}	Clock period	2.5	–	μ s
t_{SDCLKH}	Clock high time	1.0	–	μ s
t_{SDCLKL}	Clock low time	1.0	–	μ s

Table 7. Common Timing Parameters for SD and MMC – During Data Transfer Mode

Parameter	Description	Min	Max	Unit
SDFREQ	SD_CLK interface clock frequency	5	48	MHz
t_{SDCLK}	Clock period	20.8	200	ns
$t_{SDCLKOD}$	Clock duty cycle	40	60	%
t_{SCLKR}	Clock rise time	–	3	ns
t_{SCLKF}	Clock fall time	–	3	ns

Table 8. Timing Parameters for SD – All Modes

Parameter	Description	Min	Max	Unit
t_{SDIS}	Input setup time	4	–	ns
t_{SDIH}	Input hold time	2.5	–	ns
t_{SDOS}	Output setup time	7	–	ns
t_{SDOH}	Output hold time	6	–	ns
t_{SDCKHZ}	Clock to data high Z	–	18	ns
t_{SDCKLZ}	Clock to data low Z	3	–	ns

Table 9. Timing Parameters for MMC – All Modes

Parameter	Description	Min	Max	Unit
t_{SDIS}	Input setup time	4	–	ns
t_{SDIH}	Input hold time	4	–	ns
t_{SDOS}	Output setup time	6	–	ns
t_{SDOH}	Output hold time	6	–	ns
t_{SDCKHZ}	Clock to data High Z	–	18	ns
t_{SDCKLZ}	Clock to data Low Z	3	–	ns

Reset and Standby Timing Parameters

Figure 18. Reset and Standby Timing Diagram

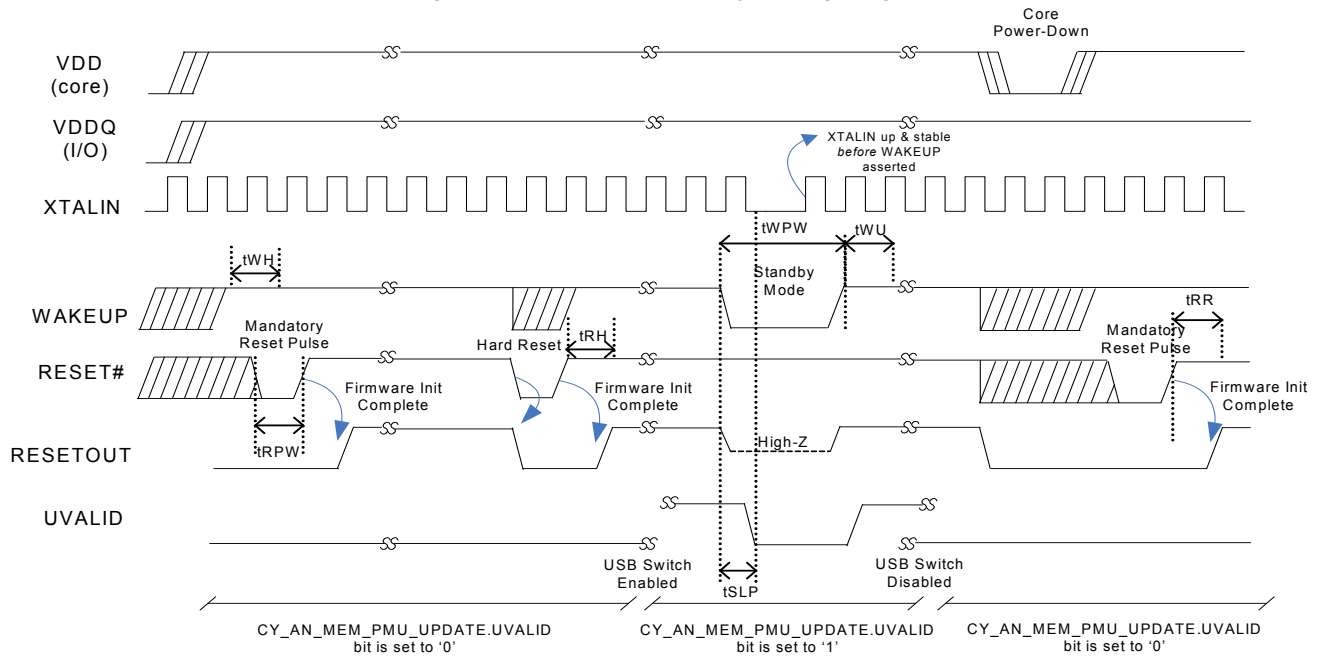


Table 10. Reset and Standby Timing Parameters

Parameter	Description	Conditions	Min	Max	Unit
t_{SLP}	Sleep time		–	1	ms
t_{WU}	WAKEUP time from standby mode	Clock on XTALIN	1	–	ms
		Crystal on XTALIN-XTALOUT	5	–	ms
t_{WH}	WAKEUP high time		5	–	ms
t_{WPW}	WAKEUP pulse width		5	–	ms
t_{RH}	RESET# high time		5	–	ms
t_{RPW}	RESET# pulse width	Clock on XTALIN	1	–	ms
		Crystal on XTALIN-XTALOUT	5	–	ms
t_{RR}	RESET# recovery time		1	–	ms

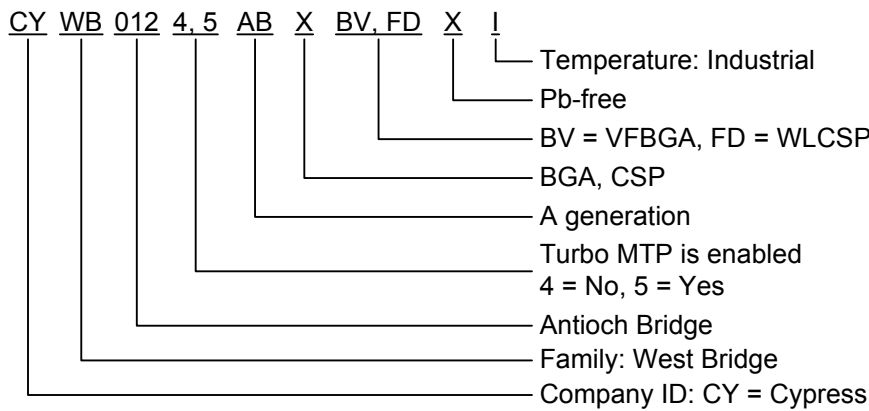
Ordering Information

Table 11 lists the key package features and ordering codes. The table contains only the parts that are currently available. If you do not see what you are looking for, contact your local sales representative. For more information, visit the Cypress website at www.cypress.com and refer to the product summary page at <http://www.cypress.com/products>.

Table 11. Key Features and Ordering Information

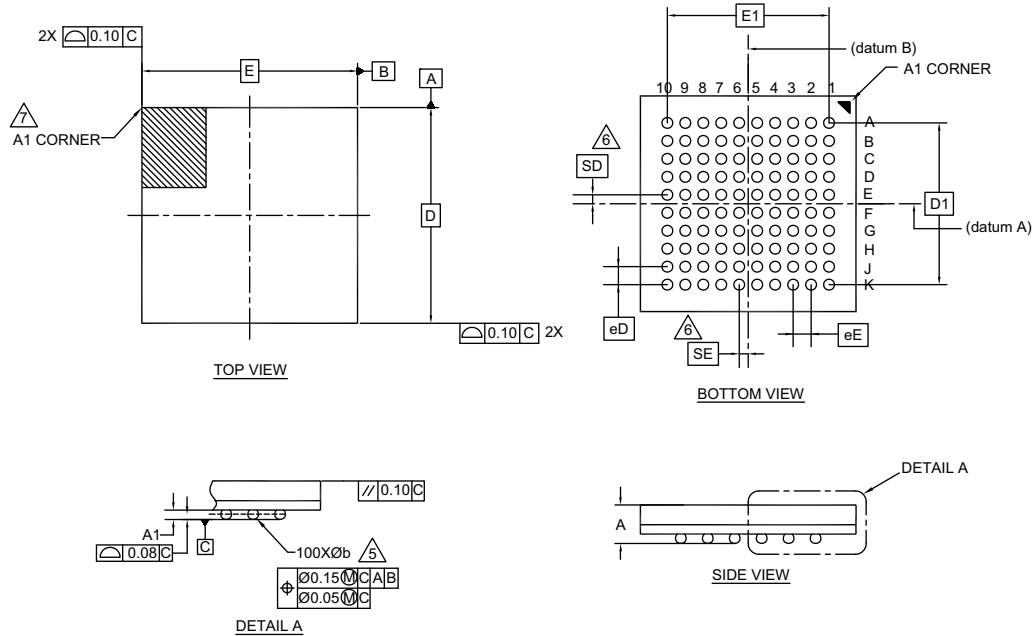
Ordering Code	Turbo-MTP Enabled	Package Type	Available Clock Input Frequencies (MHz)
CYWB0124AB-BVXI	No	100-ball VFPGA – Pb-free	19.2, 24, 26, 48
CYWB0124ABX-FDXI	No	81-ball WLCSP – Pb-free	19.2, 24, 26, 48
CYWB0125ABX-FDXI	Yes	81-ball WLCSP – Pb-free	19.2, 24, 26, 48

Ordering Code Definitions



Package Diagrams

Figure 19. 100-ball VFBGA (6 × 6 × 1.0 mm) Package Outline, 51-85209



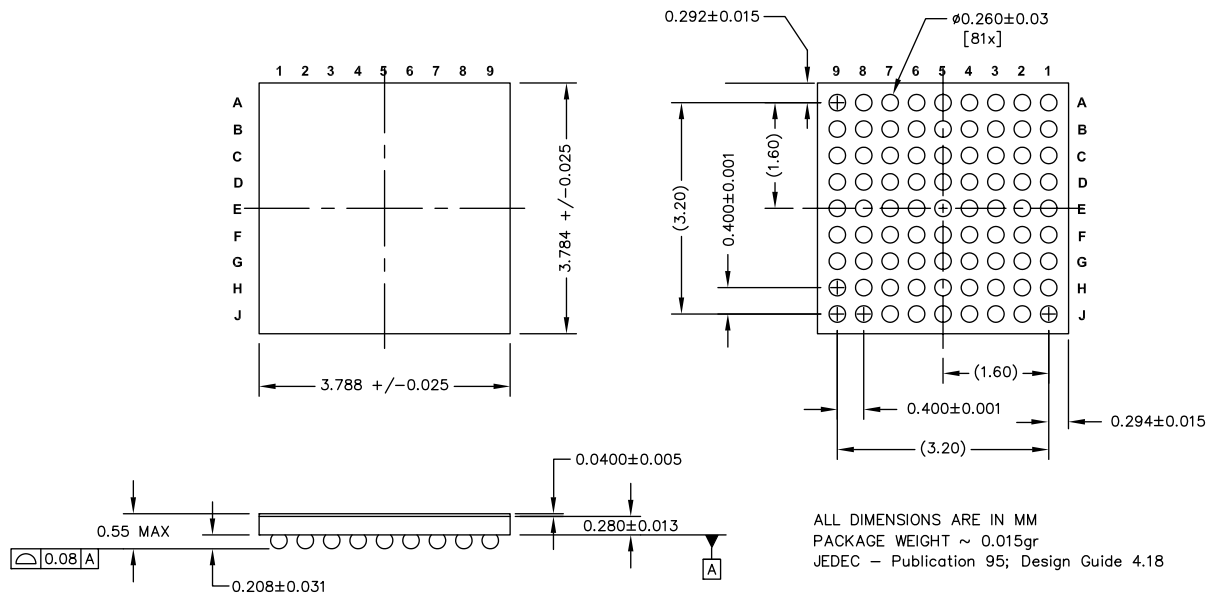
SYMBOL	DIMENSIONS		
	MIN.	NOM.	MAX.
A	-	-	1.00
A1	0.16	-	-
D	6.00 BSC		
E	6.00 BSC		
D1	4.50 BSC		
E1	4.50 BSC		
MD	10		
ME	10		
N	100		
∅ b	0.25	0.30	0.35
eD	0.50 BSC		
eE	0.50 BSC		
SD	0.25 BSC		
SE	0.25 BSC		

NOTES:

- ALL DIMENSIONS ARE IN MILLIMETERS.
- SOLDER BALL POSITION DESIGNATION PER JEP95, SECTION 3, SPP-020.
- "e" REPRESENTS THE SOLDER BALL GRID PITCH.
- SYMBOL "MD" IS THE BALL MATRIX SIZE IN THE "D" DIRECTION. SYMBOL "ME" IS THE BALL MATRIX SIZE IN THE "E" DIRECTION. N IS THE NUMBER OF POPULATED SOLDER BALL POSITIONS FOR MATRIX SIZE MD X ME.
- DIMENSION "b" IS MEASURED AT THE MAXIMUM BALL DIAMETER IN A PLANE PARALLEL TO DATUM C.
- "SD" AND "SE" ARE MEASURED WITH RESPECT TO DATUMS A AND B AND DEFINE THE POSITION OF THE CENTER SOLDER BALL IN THE OUTER ROW. WHEN THERE IS AN ODD NUMBER OF SOLDER BALLS IN THE OUTER ROW "SD" OR "SE" = 0. WHEN THERE IS AN EVEN NUMBER OF SOLDER BALLS IN THE OUTER ROW, "SD" = eD/2 AND "SE" = eE/2.
- A1 CORNER TO BE IDENTIFIED BY CHAMFER, LASER OR INK MARK METALIZED MARK, INDENTATION OR OTHER MEANS.
- "+" INDICATES THE THEORETICAL CENTER OF DEPOPULATED SOLDER BALLS.
- JEDEC SPECIFICATION NO. REF. : MO-195C.

51-85209 *F

Figure 20. 81-ball WLCSP (3.8 × 3.8 × 0.55 mm) Package Outline, 001-13820



ALL DIMENSIONS ARE IN MM
PACKAGE WEIGHT ~ 0.015gr
JEDEC - Publication 95; Design Guide 4.18

001-13820 *G

Acronyms

Table 12. Acronyms Used in this Document

Acronym	Description
DC	Direct Current
DMA	Direct Memory Access
ESD	Electrostatic Discharge
ECC	Error Correction Codes
HDD	Hard Disk Drive
MTP	Media Transfer Protocol
MMC	Multimedia Card
PLL	Phase-Locked Loop
SLIM	Simultaneous Link to Independent Media
SLC	Single Level Cell
USB	Universal Serial Bus
WLCSP	Wafer Level Chip Scale Package
CE-ATA	Consumer Electronics - Advanced Technology Attachment

Document Conventions

Units of Measure

Table 13. Units of Measure

Symbol	Unit of Measure
A	ampere
dBc	decibels relative to the carrier
kHz	kilohertz
MBPs	megabyte per second
MHz	megahertz
μA	microampere
μs	microsecond
ms	millisecond
ns	nanosecond
ppm	parts per million
pF	picofarad
V	volt
mA	milliampere

Document History Page

Document Title: CYWB0124AB/CYWB0125AB, West Bridge [®] Antioch [™] USB/Mass Storage Peripheral Controller				
Document Number: 001-07978				
Revision	ECN	Orig. of Change	Submission Date	Description of Change
**	460480	ODC	See ECN	New release.
*A	539922	VSO	See ECN	Removed all CYWB0224AB (this is Astoria P/N) Removed CYWB0224AB Additional Features Removed MLC NAND support wordings Removed CE-ATA specification Added 26 MHz for the clock support Removed the paragraph of CYWB0224AB Removed Note 1 Corrected Note 7 is the same as PDD Added Astoria as a future product in Note 9 Added reference figures in tCKHZ and tCKLZ Added condition description to tCKHZ Added figure 11 Updated figure 14 Removed CYWB0224AB-BVXI, removed the columns of CE-ATA and MLC NAND Support
*B	567593	VSO	See ECN	Minor Change: Post part CYWB0124AB on external website under NDA.
*C	841760	RUY	See ECN	Page-1, Changes to the Mass Storage Support with addition of CE-ATA Updated the Revision numbers of SD Card Specifications Added CE-ATA Specifications Clarified footnote 5 that unused inputs are tied through 10k pull up resistors and that CLK is LOW in asynchronous P-port operation Footnote 6, 100k resistor is changed to 10k Footnote 7, a sentence on resistors for speed capability on USB is added SDIO is changed to SD in Pin Assignment Table In Clocking, changed crystal requirement from 50 to 100 ppm. Clarified Core Power Down mode that AVDDQ is also powered down. Split tAS into tAS and tADVS and tWPH into tWPH and tCPH in Table 5 Updated Figure 5 to depict tOH Updated Figure 6 to depict tADVS and corrected tCW Updated Figure 1 to remove "Access Control" Added external clock requirements and Table 1 Added section on Flexible I/Os Specified values in Absolute Maximum Ratings (changed from TBS) In Table 3, updated V_{IH} value for supplies other than UVDDQ, and added pertinent notes 15 and 16. Appended to note 12 that maximum current values are measured at 85°C. Added maximum current values for I_{SB1} , I_{SB2} and I_{SB3} In Table 5, the following changes are made: tOH, tOLZ, tLZ, and tOW changed from 5 to 3 ns; tVP changed from 5 to 7.5 ns; tOE, tOHZ, tHZ, and tWHZ changed from 20 to 22.5 ns. Added notes [17] and [18] In Table 6, tHZ and tOE changed from 18 to 22.5 ns.

Document History Page (continued)

Document Title: CYWB0124AB/CYWB0125AB, West Bridge® Antioch™ USB/Mass Storage Peripheral Controller Document Number: 001-07978				
Revision	ECN	Orig. of Change	Submission Date	Description of Change
*D	1067820	RUY	See ECN	<p>Added Table 10</p> <p>Added "SSVDDQ levels for SD modes: 2.0V - 3.6V, MMC modes:1.7V - 3.6V." to note 11 in Table 5</p> <p>Added notation of tSDCKHZ and tSDCKLZ to Figure 15</p> <p>Added undershoot and overshoot parameters and removed the Supply Voltage Noise requirement in Table 1 External Clock Requirements</p> <p>Added representation of tWHZ to Figure 13 and tWLZ to Figure 14</p> <p>Added tWHZ and tWLZ to Table 5</p> <p>Changed name of parameter tOW to tWLZ in Table 6</p> <p>Added "and less than 4x4 mm WLCSP" to Features</p> <p>Added Figure 19</p> <p>Added WLCSP ordering information</p> <p>Added functionality of Antioch in WLCSP</p> <p>Added Figure 3</p> <p>Added two columns to Table 1 showing the Balls are available in the WLCSP and VFBGA packages</p> <p>Added "Note that in the WLCSP option, the S-port is not configurable; it only supports a single SD/MMC+ port with no NAND port." to Mass Storage Support section</p> <p>Added "Availability of specific signals on the WLCSP option is detailed in Pin Assignments." to Antioch in WLCSP.</p> <p>Added "Maximum permitted noise on AVDDQ is 20 mV p-p." and "Noise guideline for all supplies except AVDDQ is maximum 100 mV p-p." to Antioch Power Domains section</p> <p>Changed maximum value of Isb3 in Table 3 from 170 uA to 139 uA. Changed "Typical" values for Isb2 and Isb3 to correct definition of "Maximum" value at 25°C. Isb1 has typical value at 25°C. Removed "These values are based upon simulation and are subject to change pending closure of full device characterization." from note 10</p> <p>Added figure 16 and Table 11</p> <p>Changed reference from "pin" to "Ball" in Table 2 and throughout the data sheet.</p> <p>Corrected the ball description of SD_WP in Table 2 to say that SD_WP being HIGH, not LOW indicates that the card is write protected</p> <p>Added the requirement that XTALIN is LOW before entry into Core Power Down mode in Core Power Down mode and Antioch in WLCSP sections</p> <p>Re-ordered paragraphs in Clocking section</p> <p>Added "The external clock is a square wave that conforms to high and low voltage levels mentioned in Table 3 and the rise and fall time specifications" in Figure 17</p> <p>Clarified Standby mode section to reflect that WAKEUP assertion releases Antioch from standby mode only when the mode is entered by de-asserting WAKEUP</p>
*E	1116363	RUY	See ECN	<p>Changed part number for the WLCSP part from CYWB0124AB-FDXI to CYWB0124ABX-FDXI in Ordering Information table</p> <p>Updated the information from *B version of specification 001-13820 in the package diagram of WLCSP</p> <p>Removed mention of erroneous change in Isb1 parameter in *D version from Document History Table</p>
*F	1408263	AESA	See ECN	<p>Changed the DC Characteristics to differentiate between Icc Crystal for Antioch VFBGA and WLCSP</p> <p>Added a footnote to NAND_CE#, NAND_CE2#, NAND_WP#, NAND_CLE, and NAND_ALE pins in the pin assignment table.</p>

Document History Page (continued)

Document Title: CYWB0124AB/CYWB0125AB, West Bridge® Antioch™ USB/Mass Storage Peripheral Controller				
Document Number: 001-07978				
Revision	ECN	Orig. of Change	Submission Date	Description of Change
*G	1489983	OSG / AESA	See ECN	In DC Characteristics Table, changed Icc Crystal and Icc Core to differentiate between values for VFPGA and WLCSP In DC Characteristics Table, clarified the ISB1 measurement conditions.
*H	2572476	OSG / AESA	09/25/2008	Updated Phase Noise specifications for input clock - Table 1 Updated ppm specification to 150 ppm for input clock and crystal - Table 1 Added Turbo-MTP Support introduction to Functional Overview Added Turbo-MTP part numbers to Ordering Information Added part number CYWB0125AB Changed data sheet title to "CYWB0124AB/CYWB0125AB West Bridge® Antioch™ USB/Mass Storage Peripheral Controller" Updated to new template.
*I	2949425	ODC	10/22/10	Included table of contents. Added ordering code definitions. Added Acronym table and units of measure. Updated package diagrams. Updated to new template.
*J	3201726	AESA	03/21/11	Removed Pruned part CYWB0125AB-BVXI from ordering information. Updated Figure 19 on page 25
*K	3553527	AASI	03/16/2012	Post to external web.
*L	3847849	HBM	12/20/2012	Updated Package Diagrams : spec 001-13820 – Changed revision from *E to *F.
*M	4197479	HBM	11/20/2013	Updated to new template. Completing Sunset Review.
*N	5566511	HBM	12/26/2016	Updated Package Diagrams : spec 51-85209 – Changed revision from *D to *F. spec 001-13820 – Changed revision from *F to *G. Updated to new template. Completing Sunset Review.
*O	5981602	AESATMP9	12/01/2017	Updated logo and copyright.

Sales, Solutions, and Legal Information

Worldwide Sales and Design Support

Cypress maintains a worldwide network of offices, solution centers, manufacturer's representatives, and distributors. To find the office closest to you, visit us at [Cypress Locations](#).

Products

ARM® Cortex® Microcontrollers	cypress.com/arm
Automotive	cypress.com/automotive
Clocks & Buffers	cypress.com/clocks
Interface	cypress.com/interface
Internet of Things	cypress.com/iot
Memory	cypress.com/memory
Microcontrollers	cypress.com/mcu
PSoC	cypress.com/psoc
Power Management ICs	cypress.com/pmhc
Touch Sensing	cypress.com/touch
USB Controllers	cypress.com/usb
Wireless Connectivity	cypress.com/wireless

PSoC® Solutions

[PSoC 1](#) | [PSoC 3](#) | [PSoC 4](#) | [PSoC 5LP](#) | [PSoC 6](#)

Cypress Developer Community

[Forums](#) | [WICED IOT Forums](#) | [Projects](#) | [Video](#) | [Blogs](#) | [Training](#) | [Components](#)

Technical Support

cypress.com/support

© Cypress Semiconductor Corporation, 2005-2017. This document is the property of Cypress Semiconductor Corporation and its subsidiaries, including Spansion LLC ("Cypress"). This document, including any software or firmware included or referenced in this document ("Software"), is owned by Cypress under the intellectual property laws and treaties of the United States and other countries worldwide. Cypress reserves all rights under such laws and treaties and does not, except as specifically stated in this paragraph, grant any license under its patents, copyrights, trademarks, or other intellectual property rights. If the Software is not accompanied by a license agreement and you do not otherwise have a written agreement with Cypress governing the use of the Software, then Cypress hereby grants you a personal, non-exclusive, nontransferable license (without the right to sublicense) (1) under its copyright rights in the Software (a) for Software provided in source code form, to modify and reproduce the Software solely for use with Cypress hardware products, only internally within your organization, and (b) to distribute the Software in binary code form externally to end users (either directly or indirectly through resellers and distributors), solely for use on Cypress hardware product units, and (2) under those claims of Cypress's patents that are infringed by the Software (as provided by Cypress, unmodified) to make, use, distribute, and import the Software solely for use with Cypress hardware products. Any other use, reproduction, modification, translation, or compilation of the Software is prohibited.

TO THE EXTENT PERMITTED BY APPLICABLE LAW, CYPRESS MAKES NO WARRANTY OF ANY KIND, EXPRESS OR IMPLIED, WITH REGARD TO THIS DOCUMENT OR ANY SOFTWARE OR ACCOMPANYING HARDWARE, INCLUDING, BUT NOT LIMITED TO, THE IMPLIED WARRANTIES OF MERCHANTABILITY AND FITNESS FOR A PARTICULAR PURPOSE. To the extent permitted by applicable law, Cypress reserves the right to make changes to this document without further notice. Cypress does not assume any liability arising out of the application or use of any product or circuit described in this document. Any information provided in this document, including any sample design information or programming code, is provided only for reference purposes. It is the responsibility of the user of this document to properly design, program, and test the functionality and safety of any application made of this information and any resulting product. Cypress products are not designed, intended, or authorized for use as critical components in systems designed or intended for the operation of weapons, weapons systems, nuclear installations, life-support devices or systems, other medical devices or systems (including resuscitation equipment and surgical implants), pollution control or hazardous substances management, or other uses where the failure of the device or system could cause personal injury, death, or property damage ("Unintended Uses"). A critical component is any component of a device or system whose failure to perform can be reasonably expected to cause the failure of the device or system, or to affect its safety or effectiveness. Cypress is not liable, in whole or in part, and you shall and hereby do release Cypress from any claim, damage, or other liability arising from or related to all Unintended Uses of Cypress products. You shall indemnify and hold Cypress harmless from and against all claims, costs, damages, and other liabilities, including claims for personal injury or death, arising from or related to any Unintended Uses of Cypress products.

Cypress, the Cypress logo, Spansion, the Spansion logo, and combinations thereof, WICED, PSoC, CapSense, EZ-USB, F-RAM, and Traveo are trademarks or registered trademarks of Cypress in the United States and other countries. For a more complete list of Cypress trademarks, visit cypress.com. Other names and brands may be claimed as property of their respective owners.