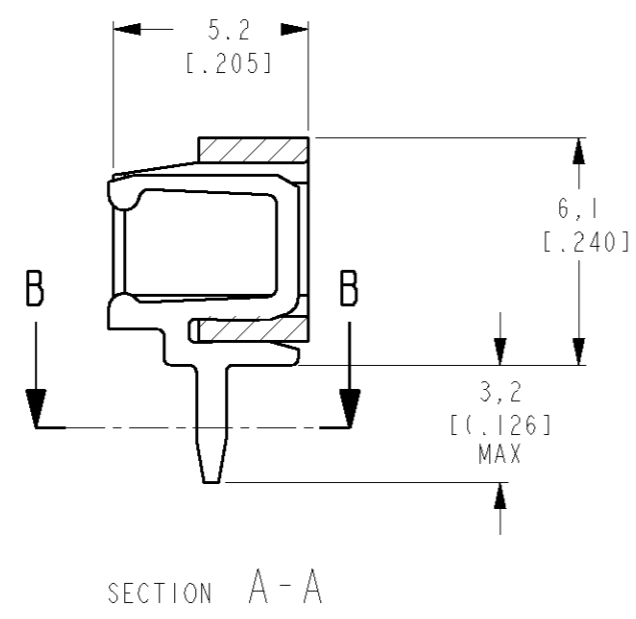
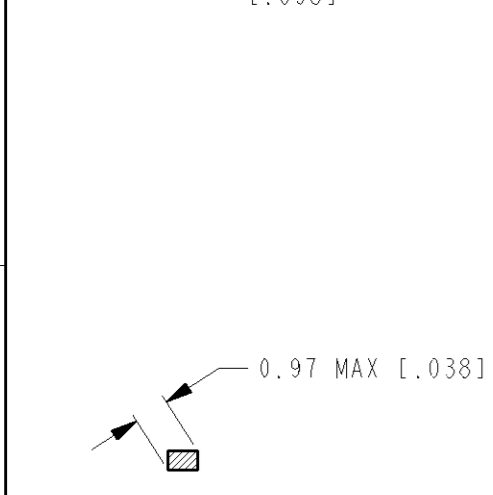
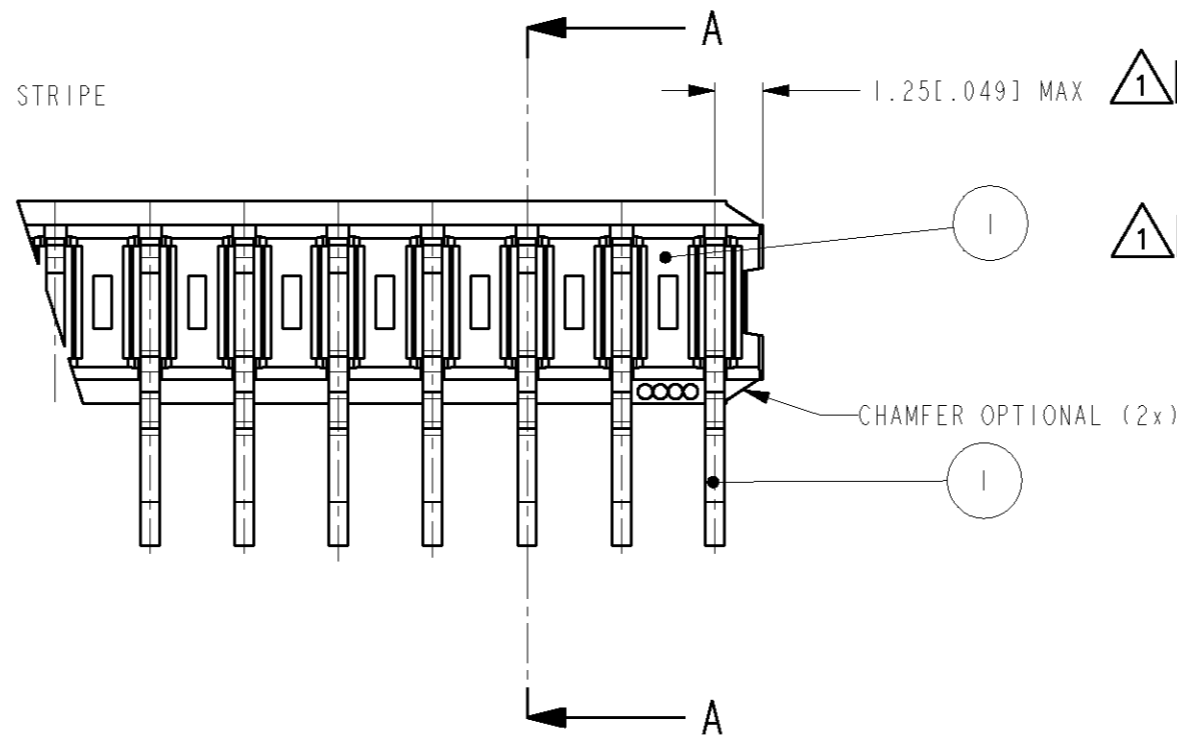
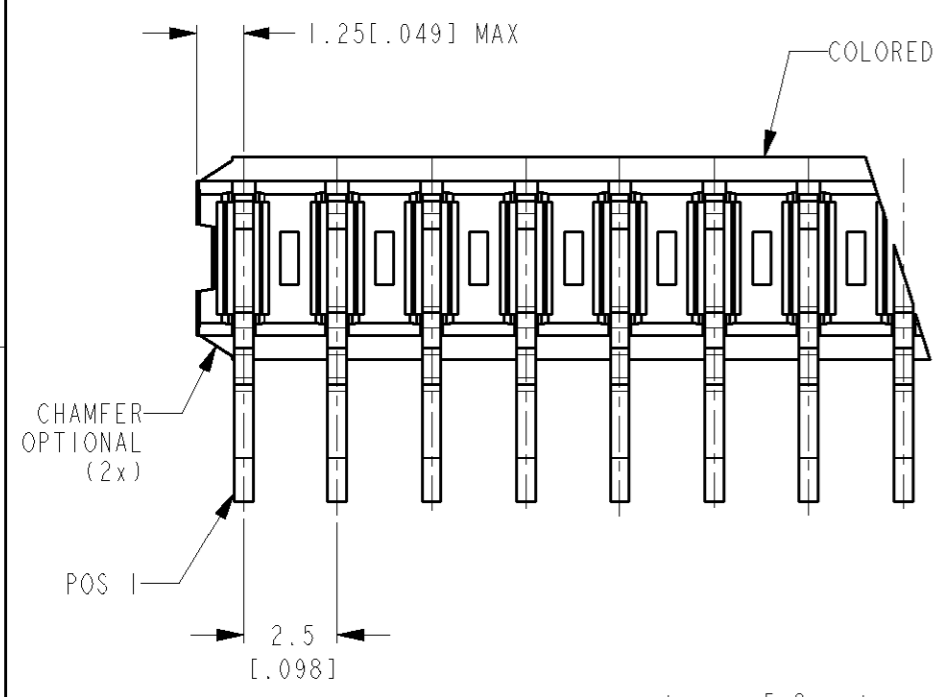
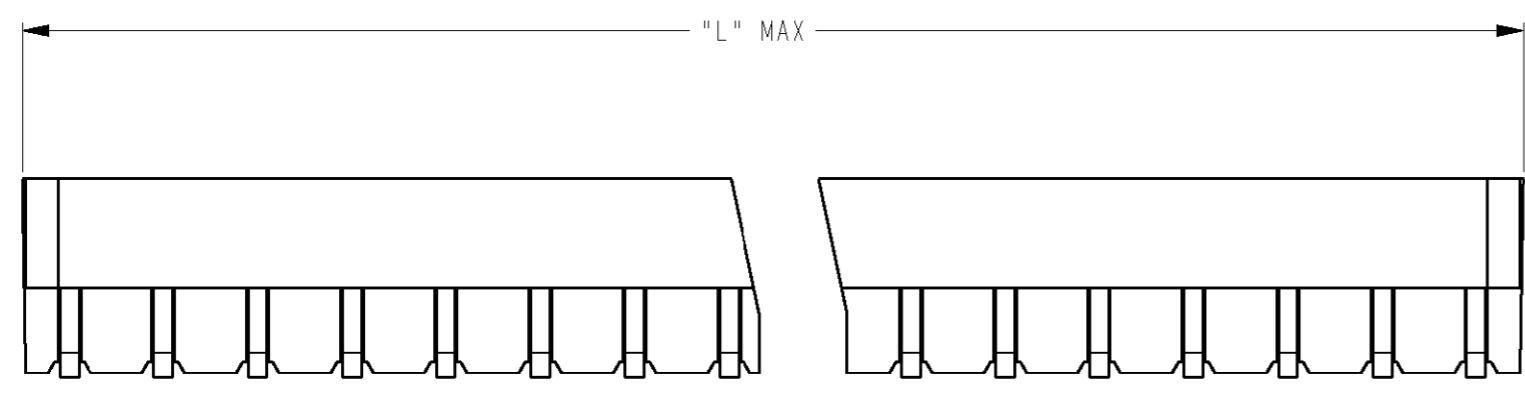


THIS DRAWING IS UNPUBLISHED. RELEASED FOR PUBLICATION
 © COPYRIGHT - BY TYCO ELECTRONICS CORPORATION. ALL RIGHTS RESERVED.

| LOC | DIST | REVISIONS | | | | |
|-----|------|-------------|---------------------------|------------|------|-----|
| P | LTR | DESCRIPTION | DATE | DWN | APVD | |
| H | - | A | ECN EH10 0344 05 | 31marc2005 | MG | MG |
| | | A1 | REVISED PER ECO-09-026495 | 28NOV09 | KK | AEG |



OBSOLETE

OBSOLETE

OBSOLETE

OBSOLETE

| | NUMBER OF POSITIONS | L MAX. | |
|---------------|---------------------|--------|--------|
| | | M.M. | INCHES |
| 5161800 -3 | 3 | 7,5 | .296 |
| 5161800 -4 | 4 | 10,0 | .394 |
| 5161800 -5 | 5 | 12,5 | .493 |
| 5161800 -6 | 6 | 15,0 | .591 |
| 5161800 -7 | 7 | 17,5 | .690 |
| 5161800 -8 | 8 | 20,0 | .788 |
| 5161800 -9 | 9 | 22,5 | .886 |
| 1- 5161800 -0 | 10 | 25,0 | .985 |
| 1- 5161800 -1 | 11 | 27,5 | 1.083 |
| 1- 5161800 -2 | 12 | 30,0 | 1.182 |
| 1- 5161800 -3 | 13 | 32,5 | 1.280 |
| 1- 5161800 -4 | 14 | 35,0 | 1.378 |
| 1- 5161800 -5 | 15 | 37,5 | 1.477 |
| 1- 5161800 -6 | 16 | 40,0 | 1.575 |
| 1- 5161800 -7 | 17 | 42,5 | 1.674 |
| 1- 5161800 -8 | 18 | 45,0 | 1.772 |
| 1- 5161800 -9 | 19 | 47,5 | 1.871 |
| 2- 5161800 -0 | 20 | 50,0 | 1.969 |

OBSOLETE PARTS: OBSOLETE CIS STREAMLINING PER D.RENAUD/D.SINISI

| ITEM NO. | DESCRIPTION | MATERIAL | FINISH | QUANTITY |
|----------|-------------|----------------|-----------------|-----------|
| 2 | CONTACT | PHOSPHORBRONZE | TIN OVER NICKEL | SEE TABLE |
| 1 | HOUSING | PBT, 20% GF | GREEN | 1 |

| DIMENSIONS: | TOLERANCES UNLESS OTHERWISE SPECIFIED: |
|-------------|--|
| mm | |
| 0 PLC | ± |
| 1 PLC | ± |
| 2 PLC | ± |
| 3 PLC | ± |
| 4 PLC | ± |
| ANGLES | ± |
| MATERIAL | FINISH |

THIS DRAWING IS A CONTROLLED DOCUMENT FOR TYCO ELECTRONICS CORPORATION. IT IS SUBJECT TO CHANGE AND THE CONTROLLING ENGINEERING ORGANIZATION SHOULD BE CONTACTED FOR THE LATEST REVISION.

DWN 31 mar 05
M.Gosselink
 CHR 31 mar 05
M.Gosselink
 APVD -
 PRODUCT SPEC 108-19027
 APPLICATION SPEC -
 WEIGHT -

tyco Electronics TYCO ELECTRONICS NEDERLAND B.V.
 's-HERTOGENBOSCH, THE NETHERLANDS

NAME 3-20 POS FEMALE BOARD TO BOARD CONNECTOR ASSEMBLY FOR MINI-MATCH INTERCONNECTION SYSTEM, PITCH 2.5 MM

SIZE A3 CAGE CODE 00779 DRAWING NO C-5161800 RESTRICTED TO -

CUSTOMER DRAWING SCALE - SHEET OF REV **A1**