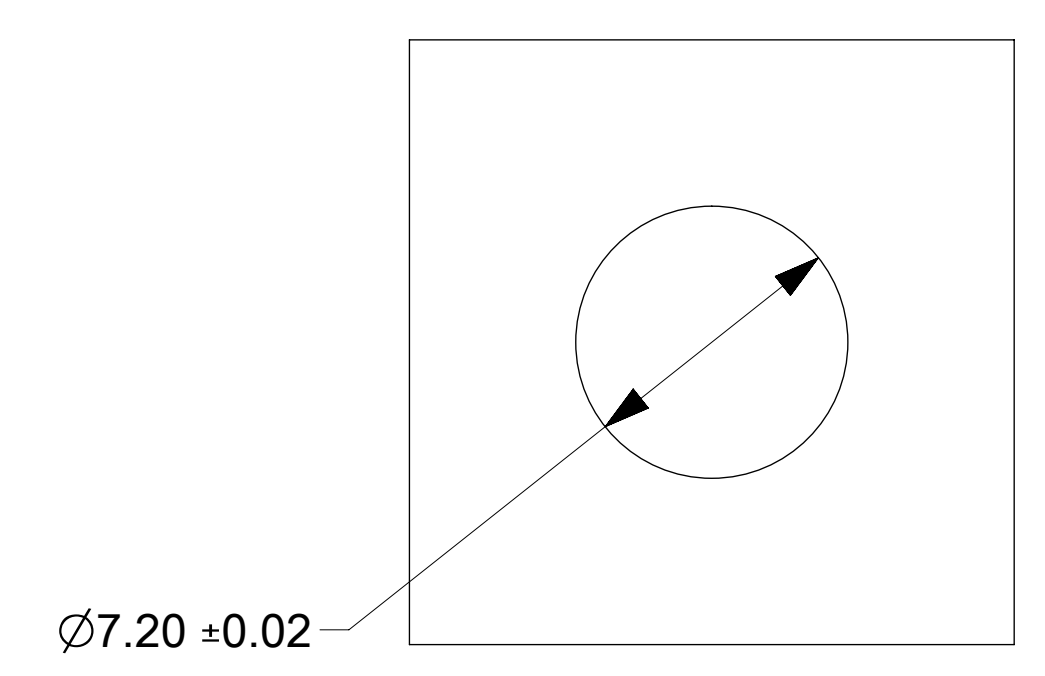
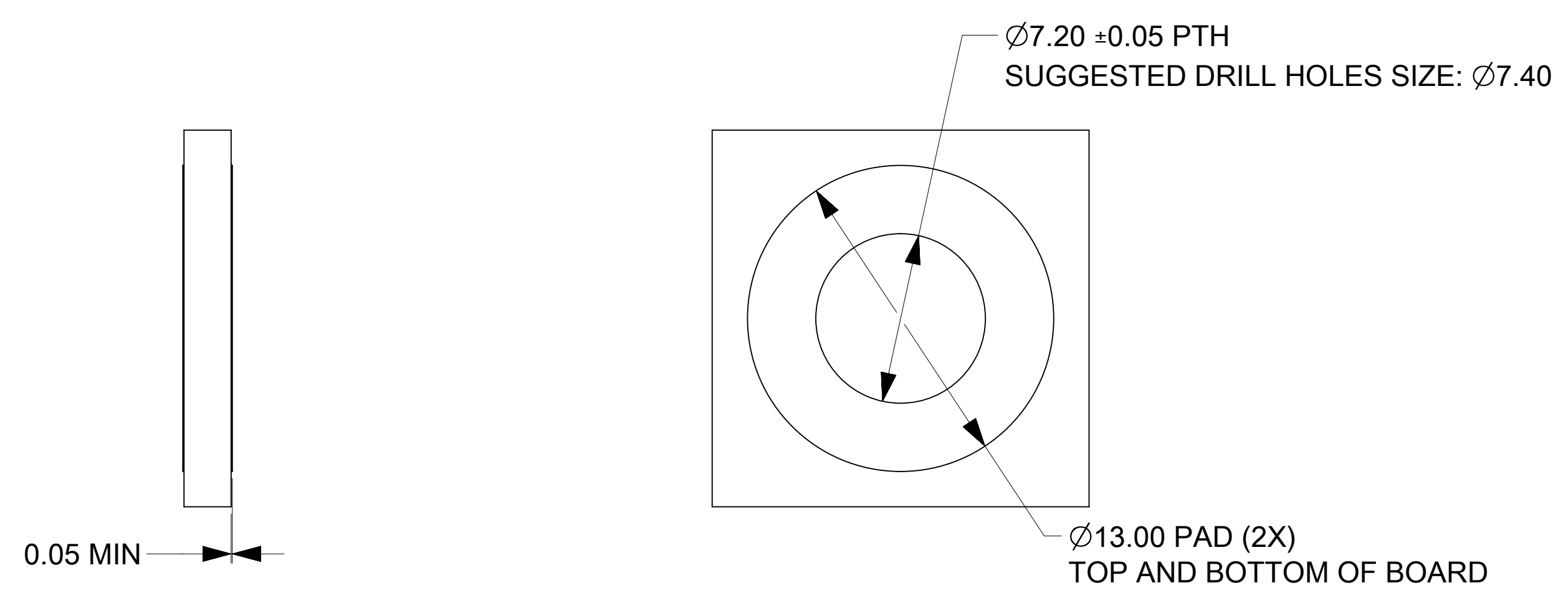


**NOTES:**

- MATERIALS:**  
 BASE METAL: HIGH CONDUCTIVE COPPER ALLOY  
 PLATING ON BODY: 3.18 MICRON MIN SILVER OVER 1.27 MICRON MIN NICKEL
- SILVER COMPONENTS WILL BE SUPPLIED TARNISH FREE BUT MAY TARNISH OVER TIME.
- PART TO BE MOUNTED WITH CONDUCTIVE M5 SCREW AND CONDUCTIVE BELLEVILLE WASHER FOR OPTIMAL PERFORMANCE
- SCREW LENGTH TO BE DETERMINED BY CUSTOMER, BASED ON THE PCB/BUSBAR THICKNESS. SCREWS AND WASHERS ARE NOT SUPPLIED BY MOLEX.
- PRODUCT SPECIFICATION: 2169400001-PS
- APPLICATION SPECIFICATION: 2169400001-AS
- PACKAGING SPECIFICATION: BULK PACKAGING AS PER 2183350001-PK



THIS DRAWING CONTAINS INFORMATION THAT IS PROPRIETARY TO MOLEX ELECTRONIC TECHNOLOGIES, LLC AND SHOULD NOT BE USED WITHOUT WRITTEN PERMISSION									
DIMENSION UNITS	SCALE	CURRENT REV DESC: PRODUCT RELEASE							
mm	2:1	<p><b>molex</b></p> <p>8MM SW1 SCREW MOUNT LOCKING PIN</p> <p>PRODUCT CUSTOMER DRAWING</p> <p>DOCUMENT NUMBER: 2183720001   DOC TYPE: PSD   DOC PART: 000   REVISION: B1</p> <p>MATERIAL NUMBER: 2183720001   CUSTOMER: GENERAL MARKET   SHEET NUMBER: 1 OF 1</p>							
GENERAL TOLERANCES (UNLESS SPECIFIED)									
ANGULAR TOL	± 0.5°								
4 PLACES	±								
3 PLACES	±								
2 PLACES	± 0.2								
1 PLACE	± 0.25	EC NO: 741091	DRWN: SREENA1	2022/11/24					
0 PLACES	±	CHK'D: GSHARMA	2023/03/06						
DRAFT WHERE APPLICABLE MUST REMAIN WITHIN DIMENSIONS		THIRD ANGLE PROJECTION	DRAWING	SERIES					
			D-SIZE	218372					

**RECOMMENDED PCB LAYOUT**

**RECOMMENDED BUS BAR**