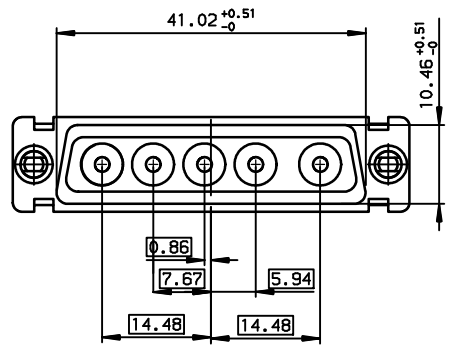
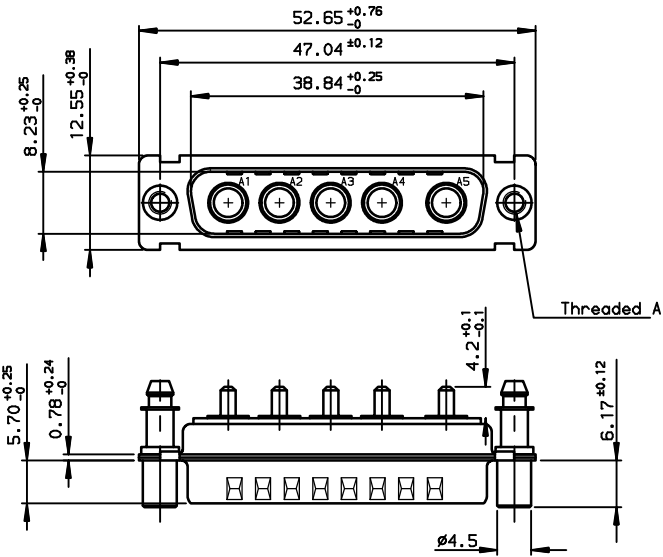
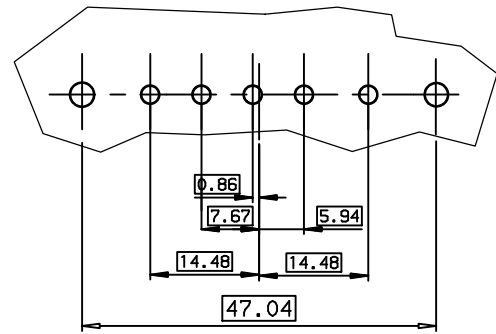




Copyright FCI.



LAYOUT DIMENSIONS (after plating)  
CONNECTOR SIDE VIEW



rev	ecn no	dr	date
B	-	DEB	2001/01/24
C	LS05-001	MPE	2005/03/09
D	LS05-0090	LGO	2005/10/17
E	LS06-0097	LGO	2006/07/31
-	-	-	-
-	-	-	-
-	-	-	-

www.fciconnect.com		surface ISO 1302	tolerance std ISO 406 ISO 1101	projection mm
TOLERANCES UNLESS OTHERWISE SPECIFIED		ANGULAR	LINEAR	size A3
Dr	JARRY	2001/01/24	0.x	±0.1
Eng	PESSON	2001/01/24	0.xx	±0.1
Chr	LEGARE	2001/01/24	0.xxx	±0.1
Appr	LEGARE	2001/01/24	Product family D-SUB Spec ref -	
title MALE CONNECTOR 5W5 WITH ACCESSORIES		part no C01-8639-1841		Rev. E
catalog no		CUSTOMER sheet 1 of 1		

DBI5W5P300G30	M3
DBI5W5P300G40	M3
DBV5W5P300G30	UNC 4.40
DBV5W5P300G40	UNC 4.40
PART NUMBER	Threaded A

GENERAL CHARACTERISTICS : SEE DRAWING C01-8639-0001

European Views