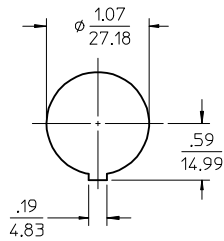
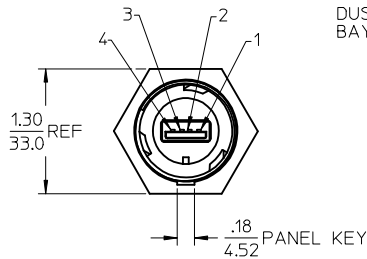


MATERIAL NO.	LENGTH
847290024	40 IN +2.0-.0 (1016.0 +50.8-0)

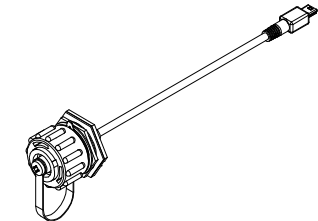
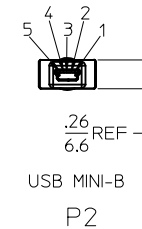
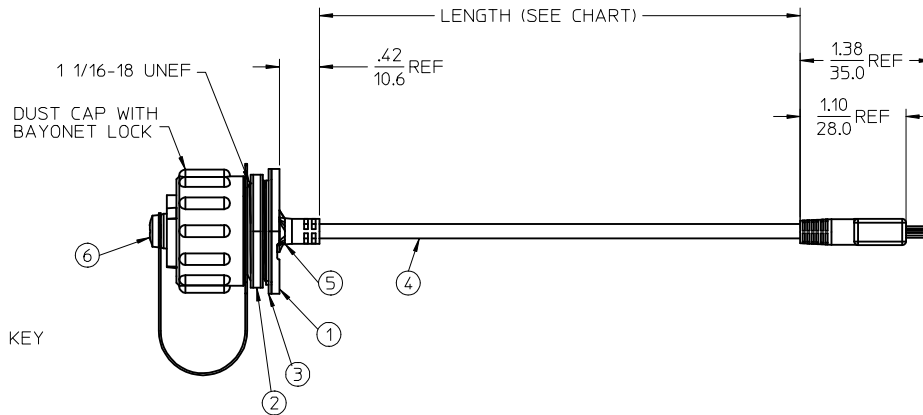


PANEL CUTOUT



USB-A DUST CAP REMOVED FOR CLARITY

P1



WIRING DIAGRAM

	P1	COLOR	P2
PAIR 1	1	RED (VVC)	1
2	2	WHITE (-DATA)	2
3	3	GREEN (+DATA)	3
4	4	BLACK (GROUND)	5
SHELL	SHELL+DRAIN		SHELL

CUSTOMER PRODUCTION APPROVAL
 APPROVED BY: _____
 DATE: _____
 MUST BE SIGNED AND RETURNED BEFORE
 PRODUCTION WILL BEGIN.

NOTES:

- MOLEX DUST CAP MOLEX PN 847000003
- ASSEMBLY IS RoHS COMPLIANT

ITEM	QTY.	DESCRIPTION	MATERIAL	FINISH
6	1	DUST CAP	PBT, UL-94V-0	BLACK
5	A/R	POTTING COMPOUND	EPOXY	BLACK
4	1	USB-A CABLE TO MINI-B, 28AWG SHIELDED	PVC	BLACK
3	1	PANEL GASKET	NEOPRENE	BLACK
2	1	LOCKNUT	PBT, UL-94V-0	BLACK
1	1	RECEPTACLE HOUSING	PBT, UL-94V-0	BLACK

RELEASES FOR PROD.
 EC NO: IPG2013-0707
 DRW: BRUPERT 2012/11/14
 CHKD: JFMURPHY 2013/01/18
 APPR: JFMURPHY
 REV A

QUALITY SYMBOLS
 ▽=0
 ▽=0

GENERAL TOLERANCES (UNLESS SPECIFIED)

	mm	INCH
4 PLACES	± .10	± .004
3 PLACES	± .15	± .006
2 PLACES	± 0.05	± .002
1 PLACE	± 0.10	± .004
0 PLACE	± .10	± .004

 ANGULAR ± .5 °
 DRAFT WHERE APPLICABLE MUST REMAIN WITHIN DIMENSIONS

DIMENSION STYLE
MM ONLY
 DRAWN BY: BRUPERT DATE: 2012/07/16
 CHECKED BY: _____ DATE: _____
 APPROVED BY: JFMURPHY DATE: 2013/01/18
 MATERIAL NO. SEE CHART
 SIZE C THIS DRAWING CONTAINS INFORMATION THAT IS PROPRIETARY TO MOLEX INCORPORATED AND SHOULD NOT BE USED WITHOUT WRITTEN PERMISSION

SCALE 1:1
 DESIGN UNITS METRIC
 THIRD ANGLE PROJECTION
 TITLE 2.0 USB-A TO USB MINI B RECEPTACLE
molex
 DOCUMENT NO. SD-84729-020 SHEET NO. 1 OF 1